

Please read this manual carefully to ensure correct operation and care of the machine. If you use the AS170 correctly, it will provide you with years of reliable service saving you time and money.

Bitte lesen Sie diese Bedienungsanleitung sorgfältig durch, um den korrekten Betrieb und die richtige Pflege des Geräts zu gewährleisten. Bei korrekter Anwendung der AS170 sichern Sie sich über Jahre hinweg den zuverlässigen Betrieb und sparen dabei Zeit und Geld.

Por favor, lea atentamente este manual para asegurar el funcionamiento correcto y el cuidado adecuado de la herramienta. Si utiliza correctamente la AS170 le proporcionará muchos años de servicio confiable que le ahorrará tiempo y dinero.

Consultez attentivement ce manuel afin de vous assurer du bon fonctionnement et de la bonne utilisation de l'appareil. Si vous utilisez l'AS170 correctement, elle vous offrira de nombreuses années de service et vous fera économiser du temps.

Lees deze handleiding aandachtig door, zodat u goed weet hoe het apparaat werkt en hoe het moet worden onderhouden. Als u de AS170 op de juiste wijze gebruikt, zal deze jarenlang meegaan en u tijd en geld besparen.

Prosimy uważnie przeczytać ten podręcznik, aby zapewnić prawidłową eksploatację i konserwację urządzenia. Prawidłowa eksploatacja AS170 zapewni użytkownikowi wieloletnią niezawodną pracę, oszczędność czasu i pieniędzy.

**AS170**  
BRICK + MORTAR SAW



Double Insulation used throughout, no provision for earthing.







## INSTRUCTION MANUAL

Please read this manual carefully to ensure correct operation and care of the machine. If you use the AS170 correctly, it will provide you with years of reliable service saving you time and money.



*Double Insulation used throughout, no provision for earthing.*



**TABLE OF CONTENTS**

	PAGE
1. INTRODUCTION	2
2. GENERAL SAFETY RULES	2
3. SPECIFIC SAFETY RULES	3-4
4. FUNCTIONAL DESCRIPTION	4
4.1 Tool Description	4
4.2 Blade Description	4
5. ASSEMBLY	5-6
6. OPERATION	7
6.1 Setup	7
6.2 Operation	7-9
7. MAINTENANCE	9
7.1 Motor	9
7.2 V-Belt and Pulleys	9-10
7.3 Blade Mount Bolts and Threads	10
7.4 Top Handle and Rubber Bushes	10
8. ACCESSORIES	10
8.1 Dust Extraction	10
9. SPECIFICATIONS	10-11
10. WARRANTY AND SERVICE	11
11. TROUBLESHOOTING	11-13

Please read these instructions before you use your AS170 Brick + Mortar Saw

## 1. INTRODUCTION

The Arbortech AS170 is designed and manufactured in Australia, using only the highest quality components and manufacturing processes. The unique patented orbital cutting action of two reciprocating blades, allows cutting of brick, mortar and masonry faster than traditional reciprocating saws.

This cutting action also produces minimal amounts of airborne dust, offering a safe and controllable operation, with the ability to cut to a depth of 120mm (4 3/4"), cut square corners, and make variable width cuts. The AS170 is ideally suited to a variety of tasks including:

- removal of mortar for "tuck pointing" of brick walls.
- removal of single bricks from walls.
- cutting of bricks without damage to adjacent areas or "blow-out" stitching, keying or toothing of brick walls "chasing" cuts for conduits and similar items into walls.
- cutting holes in walls or other surfaces.
- finishing corner cuts in walls.
- cutting in dirty wood.
- cutting wood in the ground.
- tree root removal.
- pruning trees.

**The tool can be fitted with a range of blades to best suit different applications.**

### Definitions: Safety Guidelines

The definitions below describe the level of severity for each signal word. Please read the manual and pay attention to these symbols.

⚠ **DANGER:** Indicates an imminently hazardous situation which, if not avoided, **will** result in **death or serious injury**.

⚠ **WARNING:** Indicates a potentially hazardous situation which, if not avoided, **could** result in **death or serious injury**.

⚠ **CAUTION:** Indicates a potentially hazardous situation which, if not avoided, **may** result in **minor or moderate injury**.

**CAUTION:** Used without the safety alert symbol indicates a potentially hazardous situation which, if not avoided, **may** result in **property damage**.

⚠ Denotes risk of electric shock.

⚠ IMPORTANT INCORRECT USE OF THE AS170 MAY LEAD TO PREMATURE WEAR AND/OR DAMAGE. PLEASE READ THESE USER

INSTRUCTIONS CAREFULLY BEFORE USE TO ENSURE CORRECT OPERATION.

## 2. GENERAL SAFETY RULES

⚠ **WARNING!** Read all instructions. Failure to follow all instructions listed below may result in electric shock, fire and/or serious injury.

**Save all warnings and instructions for future reference.**

The term "power tool" in all of the warnings listed below refers to your mains-operated (corded) power tool or battery-operated (cordless) power tool.

SAVE THESE INSTRUCTIONS

### 1) Work area

a) **Keep work area clean and well lit.** Cluttered and dark areas invite accidents.

b) **Do not operate power tools in explosive atmospheres, such as in the presence of flammable liquids, gases or dust.** Power tools create sparks which may ignite the dust or fumes.

c) **Keep children and bystanders away while operating a power tool.** Distractions can cause you to lose control

### 2) Electrical safety

a) **Power tool plugs must match the outlet. Never modify the plug in any way. Do not use any adapter plugs with earthed (grounded) power tools.** Unmodified plugs and matching outlets will reduce risk of electric shock.

b) **Avoid body contact with earthed or grounded surfaces such as pipes, radiators, ranges and refrigerators.** There is an increased risk of electric shock if your body is earthed or grounded.

c) **Do not expose power tools to rain or wet conditions.** Water entering a power tool will increase the risk of electric shock.

d) **Do not abuse the cord. Never use the cord for carrying, pulling or unplugging the power tool. Keep cord away from heat, oil, sharp edges or moving parts.** Damaged or entangled cords increase the risk of electric shock.

e) **When operating a power tool outdoors, use an extension cord suitable for outdoor use.** Use of a cord suitable for outdoor use reduces the risk of electric shock.

f) **If operating a power tool in a damp location is unavoidable, use a residual current device (RCD) protected supply.** Use of an RCD reduces the risk of electric shock.

### 3) Personal safety

a) **Stay alert, watch what you are doing and use common sense when operating a power tool. Do not use a power tool while you are tired or under the influence of drugs, alcohol or medication.** A moment of inattention while operating power tools may result in serious personal injury.

b) **Use personal protective equipment. Always wear eye protection.** Protective equipment such as dust mask, non-skid safety shoes, hard hat, or hearing protection used for appropriate conditions will reduce personal injuries.

c) **Avoid accidental starting. Ensure the switch is in the off-position before plugging in.** Carrying power tools with your finger on the switch or plugging in power tools that have the switch on invites accidents.

d) **Remove any adjusting key or wrench before turning the power tool on.** A wrench or a key left attached to a rotating part of the power tool may result in personal injury.

e) **Do not overreach. Keep proper footing and balance at all times.** This enables better control of the power tool in unexpected situations.

f) **Dress properly. Do not wear loose clothing or jewellery. Keep your hair, clothing and gloves away from moving parts.** Loose clothes, jewellery or long hair can be caught in moving parts.

g) **If devices are provided for the connection of dust extraction and collection facilities, ensure these are connected and properly used.** Use of these devices can reduce dust-related hazards.

### 4) Power tool use and care

a) **Do not force the power tool. Use the correct power tool for your application.** The correct power tool will do the job better and safer at the rate for which it was designed.

b) **Do not use the power tool if the switch does not turn it on and off.** Any power tool that cannot be controlled with the switch is dangerous and must be repaired.

c) **Disconnect the plug from the power source and/or the battery pack from the power tool**

**before making any adjustments, changing accessories, or storing power tools.** Such preventive safety measures reduce the risk of starting the power tool accidentally.

d) **Store idle power tools out of the reach of children and do not allow persons unfamiliar with the power tool or these instructions to operate the power tool.** Power tools are dangerous in the hands of untrained users.

e) **Maintain power tools. Check for misalignment or binding of moving parts, breakage of parts and any other condition that may affect the power tools operation. If damaged, have the power tool repaired before use.** Many accidents are caused by poorly maintained power tools.

f) **Keep cutting tools sharp and clean.** Properly maintained cutting tools with sharp cutting edges are less likely to bind and are easier to control.

g) **Use the power tool, accessories and tool bits etc. in accordance with these instructions and in the manner intended for the particular type of power tool, taking into account the working conditions and the work to be performed.** Use of the power tool for operations different from those intended could result in a hazardous situation

### 5) Service

a) **Have your power tool serviced by a qualified repair person using only identical replacement parts.** This will ensure that the safety of the power tool is maintained.

**NOTE: Refer to the assembly (section 5) for a list of user replaceable parts.**

## 3. SPECIFIC SAFETY RULES

1. **Hold tool by insulated gripping surfaces when performing an operation where the cutting tool may contact hidden wiring or its own cord.** Contact with a "live" wire will make exposed metal parts of the tool "live" and shock the operator.

2. **Remove adjusting tools such as Allen & lan keys and wrenches** before operating the tool.

3. **Do not operate the tool with any attachment other than those recommended** in this instruction manual.

4. **Only use the tool with the correct voltage**, as specified in the tool label.

5. **Never start a tool under load.** Start the tool

before engaging the work piece.

6. **Never start or operate the tool with fingers or other objects through the holes in the blades.**

7. **Use care when handling blades during and after use.** The blades and some areas of the tool become hot in use.

8. **Always ensure that before cutting there are no hazards such as electrical wiring,** pipes or insulation in the area to be cut.

9. **Allow for resting periods** to ease the effect of the vibration of the tool. Use work gloves to minimise vibration effect on the body.

10. **Ensure the dust extraction equipment is connected** and properly used.

11. **Keep handles dry, clean and free from oil and grease.**

12. **If the guard or other parts appears to be damaged, it should be carefully checked** to determine that it will operate properly and perform its intended function.

13. The use of any accessory or attachment other than those recommended in this instruction manual may present a risk of personal injury.

14. **Do not force the tool.** It is designed to operate with moderate effort. Overheating of the drive system and motor can occur if the tool is overloaded.

15. **Always operate the tool holding it with both hands.**

SYMBOLS The following show the symbols used in this manual

m/s	meters per second
mm	millimeters
kg-m	kilogram meters
ft-lb	foot pounds

## 4. FUNCTIONAL DESCRIPTION

### 4.1 AS170 TOOL DESCRIPTION

The AS170 is designed to cut rigid materials such as mortar, clay fired bricks, plasterboard, fibreboard, weatherboard and wood. The AS170 uses a variety of blades to suit the material being cut. Blades may also be changed to suit the required depth or length of cut.

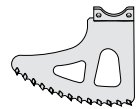
The blades are driven via conrods and a camshaft, which is belt-driven. The V-belt is designed to allow some slip in case of the blades jamming. **The belt tension must be checked after the first 5 hours of use.** It is easily tightened by removing the plastic cover and is tensioned using the adjustable idler pulley (see section 7.2). Blades are mounted to the conrods using high tensile Allen™ head bolts.

A replaceable metal guard is provided to limit the maximum cutting depth and prevent the blade mounts from damaging the surface of the material being cut. Shock and vibration to the operator are reduced by a rubber-mounted top handle. The top handle is also designed for comfort when used in a variety of cutting orientations. The rubber bushes on the top handle can be replaced if they become worn or damaged.

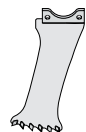
### 4.2 BLADE DESCRIPTION


The AS170 uses a variety of blades to cut different materials and different profiles.

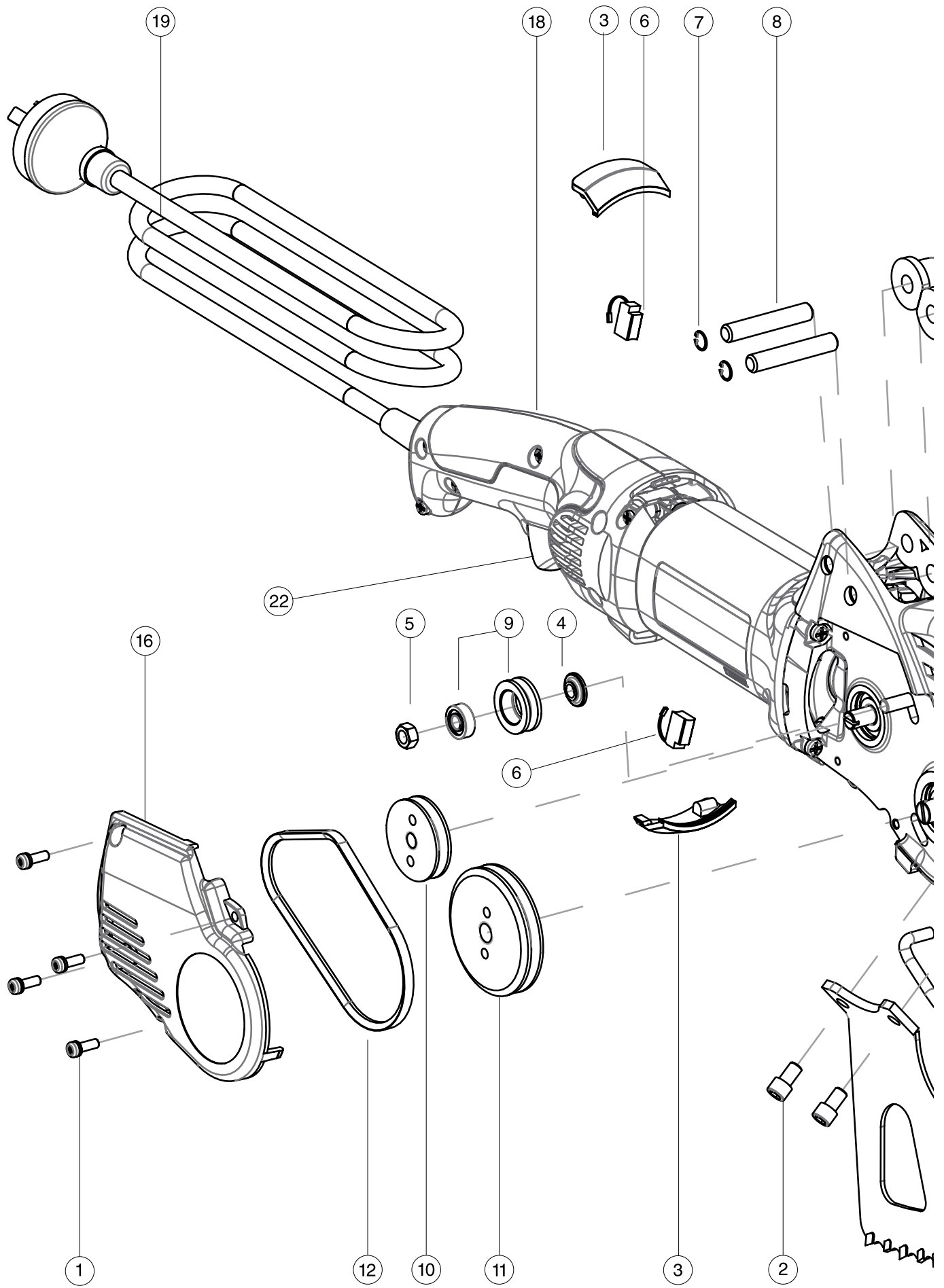
**General Purpose blades** use Tungsten Carbide teeth and are suited for working general masonry and “in the ground” cutting. General Purpose blades are designed to cut to a depth of 115mm (4 1/2”).



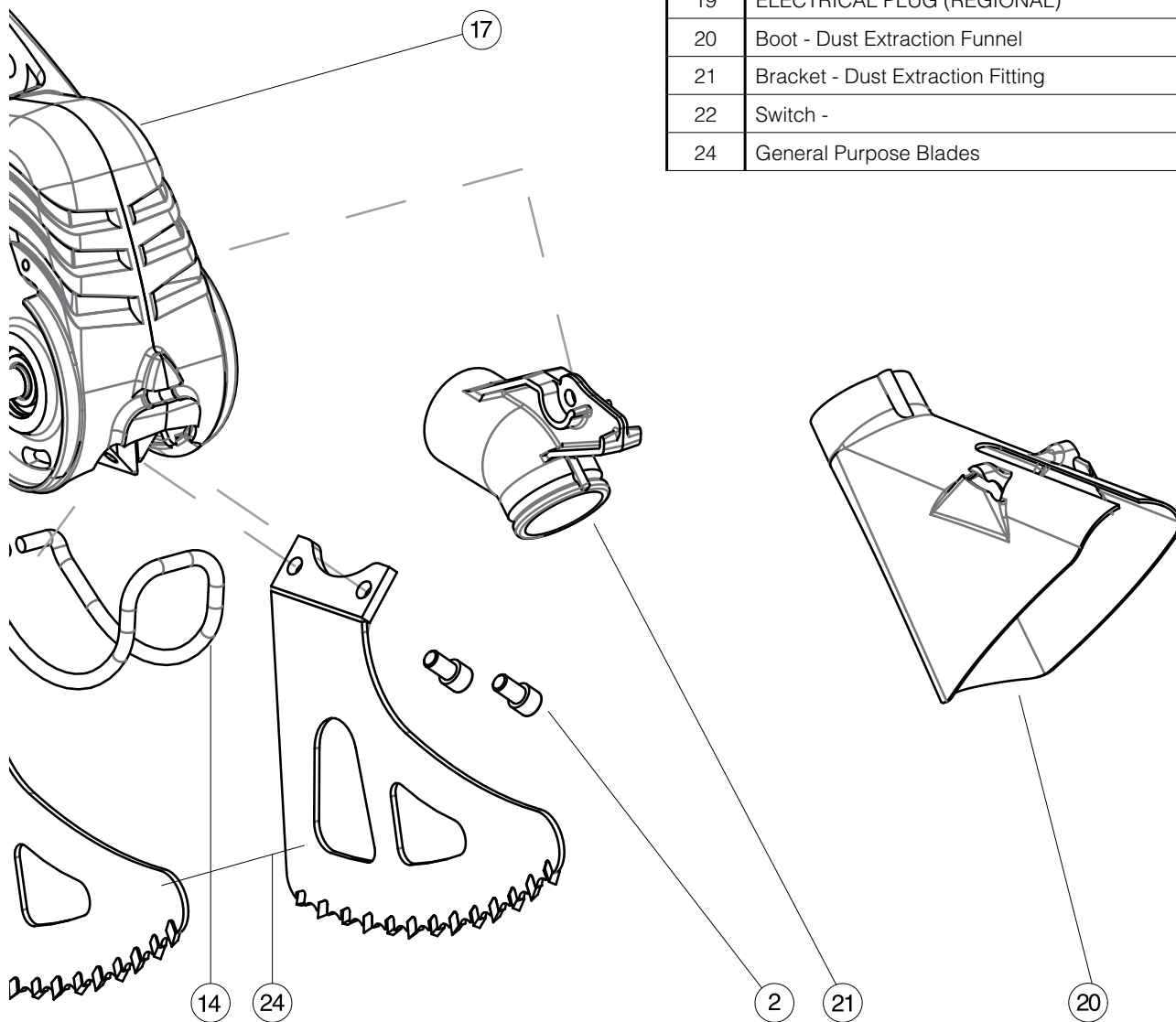
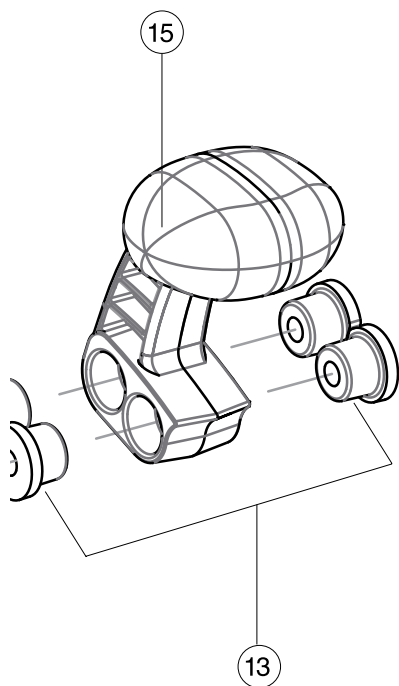
**Plunge blades** use Tungsten Carbide teeth and have a maximum cutting depth of 120mm (4 3/4”). Mortar plunge blades can cut slots of 75mm (3”) in length.



SYMBOLS The following show the symbols used in this manual	
	Class 2 Construction (Double Insulation used throughout, no provision for earthing.)
VAC	volts alternating current
A	amperes
Hz	hertz
W	watt
N <sub>o</sub>	no load speed
rpm	revolutions per minute
dB	decibels
Nm	newton meters
m	meters

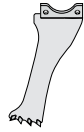






1	Screw - Belt Cover , M4 X 12	4
2	Screw - Blade , M6 X 10	4
3	Brush - Cover	2
4	Washer - Step	1
5	Nut - Nyloc M6	1
6	Brush - Carbon	2
7	Clip - Internal	2
8	Pin	2
9	Pulley - Tension including Bearing - 696	1
10	Pulley - Power	1
11	Pulley - Drive	1
12	Belt	1
13	Bush	4
14	Guard	1
15	Handle - Top	1
16	Cover - Belt	1
17	Housing	1
18	Motor - (Regional)	1
19	ELECTRICAL PLUG (REGIONAL)	1
20	Boot - Dust Extraction Funnel	1
21	Bracket - Dust Extraction Fitting	1
22	Switch -	1
24	General Purpose Blades	1

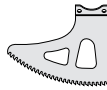
**Switch Box blades** use Tungsten Carbide teeth and have a maximum cutting depth of 120mm (4 <sup>3</sup>/<sub>4</sub>" ). Suitable for installing small electrical switch boxes into plaster, brick/ masonry walls.



**Tuckpointing blades** are used for removing the mortar between the bricks in restoration work. Maximum cutting depth of 35mm (1 <sup>3</sup>/<sub>8</sub>" ).



**Wood blades** are used for cutting clean wood and have a maximum cutting depth of 110mm (4 <sup>1</sup>/<sub>2</sub>" ).



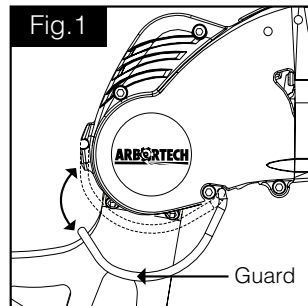
**NOTE: ALL blades can be re-sharpened. If not excessively worn.**

## 6. OPERATION

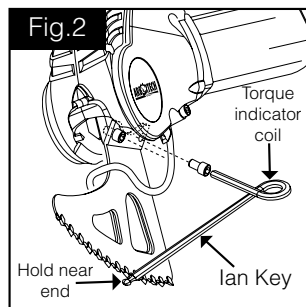
### 6.1 Setup

The AS170 is supplied ready for operation. However in some cases the blades may need to be changed to suit the application.

Before changing blades, the guard around the blade mounts must be levered gently out of its groove at the front of the tool and swung away to give access to the cap screws. (See Fig.1)



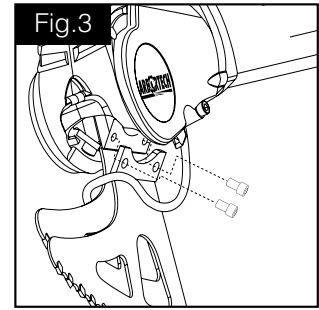
Use the "Ian key" supplied to loosen and remove the cap screws securing the blades, then remove the blades as shown in fig.2.



Select the correct blades for the cutting task and mount each with their cap screws. Verify that the surfaces of the blade mounts, conrod thread and screws are clean and free of grit or lubricant before fitting. Ensure the guard can be closed before fixing the blades to the conrod (See fig.2).

**NOTE: Always use matched pairs of blades. Never mix used blades with new blades. Use only the bolts supplied with the tool.**

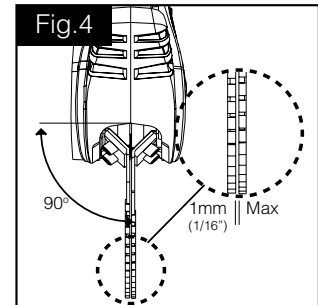
Use the "Ian key" (see fig.2), to tighten the blade mounting screws until the torque indicator coil deflects sufficiently so that the sides meet. The "Ian Key" will tighten the bolts to the required 18Nm (13.2 ft lb).



**NOTE: Blades are a wearing part. In normal operation, blade life may vary with the hardness of materials cut.**

### CAUTION:

Do not operate the tool if the blades are loose. Operation with loose blades will severely damage the blade mount & bolts requiring repair. Check that the teeth of the blades are lightly contacting, or within approximately 1mm (1/16") of contacting each other (fig.4).



If the gap between the blades is too large, remove and gently bent inward to adjust the gap. Ensure that both blades are aligned vertically to the tool (See fig.4).

**CAUTION:** If the blades rub against each other anywhere other than within 25 mm/1" of the cutting edge, or contact force is high, it is possible to overload the tool and cause premature belt wear. Swing the guard to its groove at the front of the tool and snap it into place. (See fig.1)

### 6.2 Operation

**CAUTION:** During operation the AS170 may cause hand-arm vibration, which can result in fatigue or discomfort after long periods of continuous use. Vibration will increase with the hardness of material.

Do not operate the tool if discomfort is experienced, and ensure that sufficient rest periods are taken during cutting. For further information, contact the manufacturer.

Before attempting to operate the tool, please ensure that the safety section of this manual has been consulted.

Apply protective hearing, breathing, eyes and body protection as appropriate.

With the blades secured and the tool switch OFF, plug the tool into the power socket.

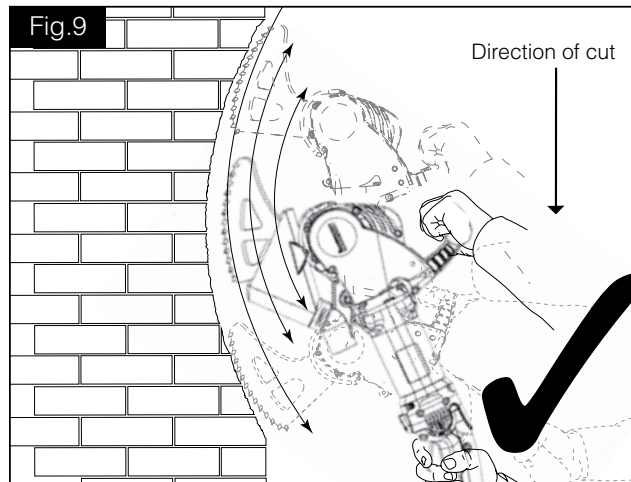
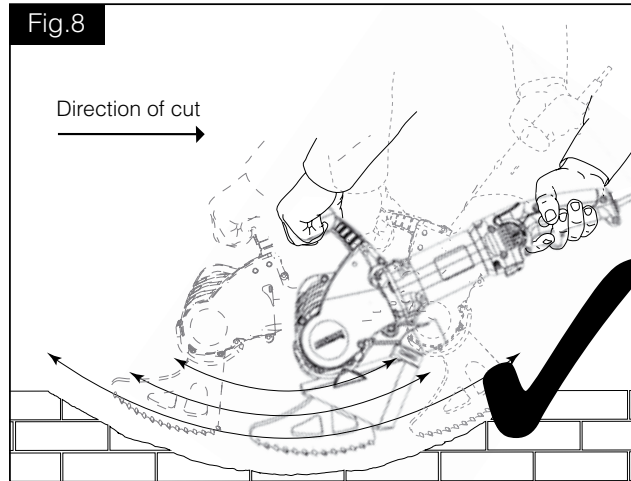
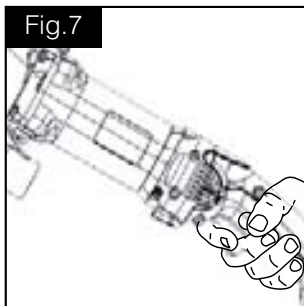
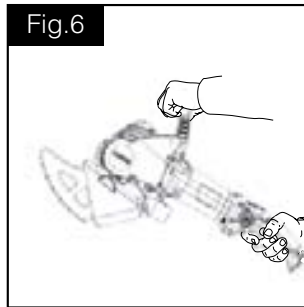
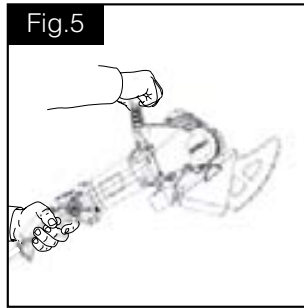
**CAUTION:**

Do not block the cooling intake vents or ingest dust or debris at the rear of the motor as this may cause the motor to overheat. If working in dusty conditions, it is recommended that the vents be regularly cleaned with an air blast. (See fig.7)

Hold the tool by both the top handle and the motor housing. (Fig.5 & 6)

To start the cut, hold the tool firmly in your hands and apply the middle of the blade cutting edge to the work, keeping in mind that the direction of cut is towards the rear of the blades.

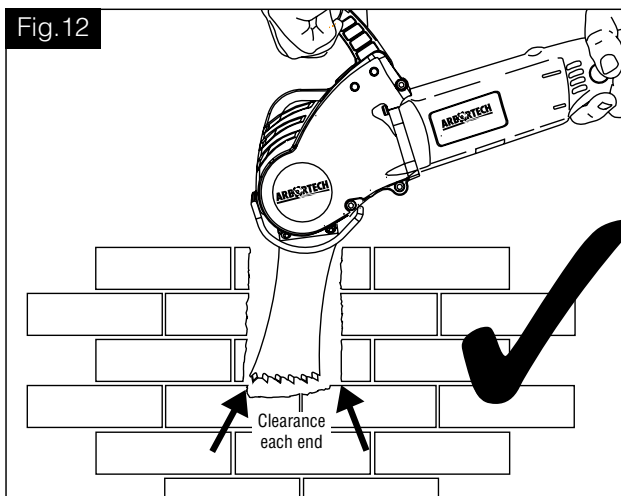
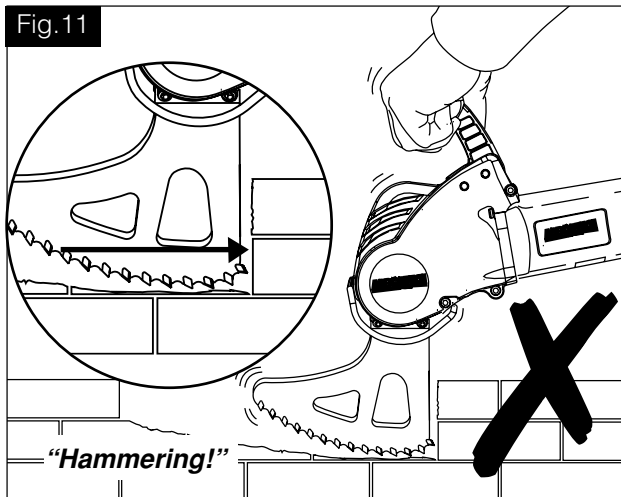
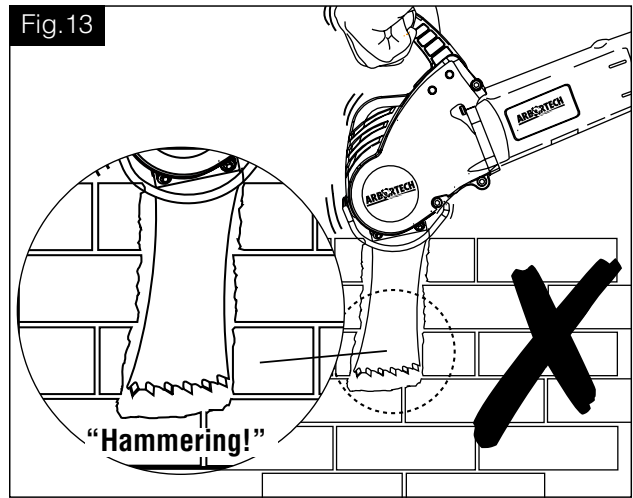
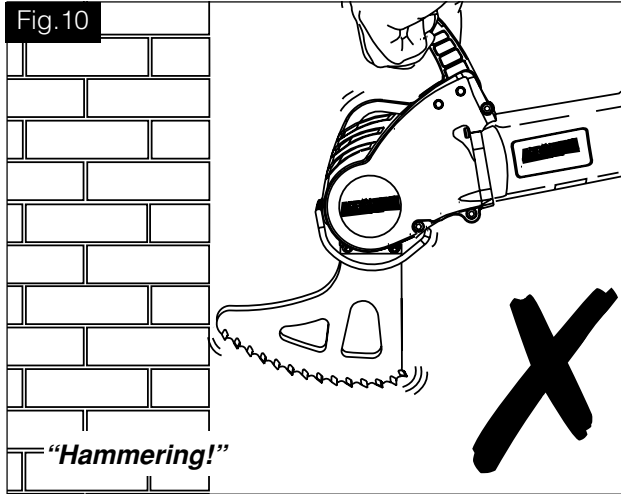
While cutting, move the tool and blade in a slow "sawing" motion, which improves the cut rate, reduces concentrated heat build-up and evens the wear on the blades. (See fig.8 & 9)



**CAUTION:** Do Not allow the forward or rear end of the blades to hammer onto hard surfaces (shown in figs: 10,11 & 13) as this will damage the blades and tool. If unintentional hammering occurs, stop the tool or withdraw it from the cut immediately.

When using any of the blade types, avoid hammering of the ends of the blades into the ends of the cut by using a slow rocking and sweeping motion. For best performance try to ensure that the teeth are the only part of the blade in contact with the workpiece.

**CAUTION:** Take care when setting the tool down to avoid chipping the tungsten carbide teeth.



When using the Mortar Plunge blades, the cut should have enough clearance on each end (shown in fig: 12), to ensure that no hammering of the blade ends occurs (as shown in fig. 13).

## 7. MAINTENANCE

**⚠ WARNING:** To reduce the risk of serious personal injury, turn the tool off and disconnect tool from the power source before making any adjustments or removing/installing attachments or accessories.

Before reconnecting the tool, depress and release the trigger switch to ensure that the tool is turned off.

To assure product SAFETY and RELIABILITY, repairs, maintenance and adjustment (including brush inspection and replacement) should be performed by an ARBORTECH authorised service center. Always use identical replacement parts.

### 7.1 Motor

#### Cleaning

**CAUTION:** Blowing dust and grit out of the motor and switch actuator using clean, dry compressed air is a necessary regular maintenance procedure. Dust and grit particles often accumulate on interior surfaces and can cause premature failure. Not regularly cleaning the AS170 will affect the tools warranty.

**⚠ CAUTION:** ALWAYS WEAR SAFETY GLASSES when using or cleaning this tool.

Never use solvents or other harsh chemicals for cleaning the non-metallic parts of the tool. Use a clean, dry cloth only.

#### Lubrication

ARBORTECH tools are properly lubricated at the factory and are ready for use.

#### Accessories

To reduce the risk of injury, only ARBORTECH, accessories should be used with this product. Recommended accessories for use with your tool are available at extra cost from your local dealer or authorised service centre.

### Repairs

If you need any assistance in locating any accessory, or general tool query please contact ARBORTECH. [www.arbortech.com.au](http://www.arbortech.com.au)

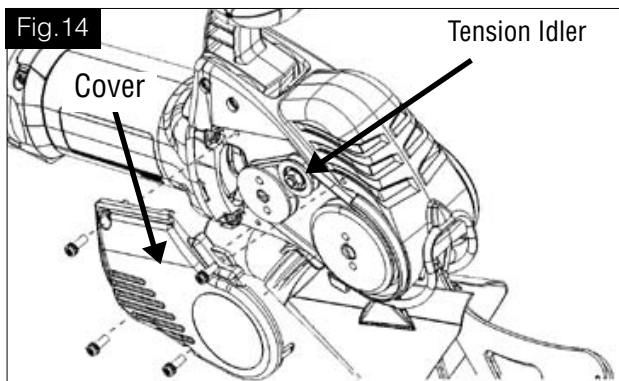
### Brushes

The AS170 is fitted with Auto-cut off brushes. When the brushes are worn below minimum length they stop tool operation reducing internal motor damage. Contact your local dealer or authorised service center for brush replacement.

### 7.2 V Belt and Pulleys

**CAUTION:** The V-Belt should be re-tensioned after the first 5 hours of use.

To access these items, remove the 4 screws holding the plastic cover on the right side of the tool (see fig.14). Inspect the belt for correct tension and signs of damage. If tensioning is required, loosen the the tension idler nut (one turn only). Slide the tension idler outward to increase the tension to the value noted in the **General Specifications** in Section 3 and re-tighten. If belt replacement is required, loosen the tensioner idler, replace the belt and re-tension the idler as specified.

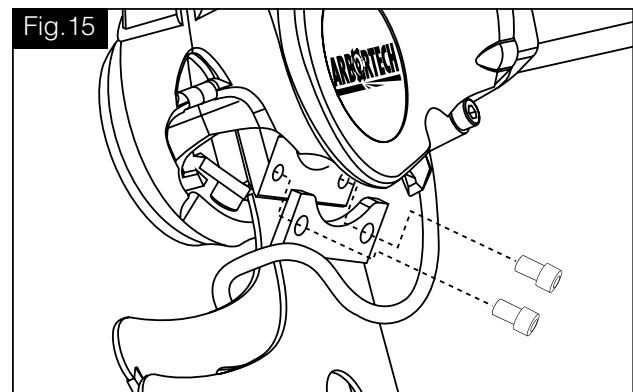


If excessive slipping has occurred, the pulleys can become worn. A worn pulley is evidenced by the groove having lost its well defined "V" shape, resulting in a rounded or flattened groove. To replace either pulley, contact your ARBORTECH authorised service centre.

### 7.3 Blade Mount Bolts and Threads

The blade cap screws should be regularly checked

for correct torque (18Nm.)(13.2 ft lb). Whenever blades are changed, the bolt and conrod threads should be checked to ensure they are not worn or filled with debris. Use only genuine ARBORTECH spares and do not lubricate bolts, threads or conrod mating surfaces.



**CAUTION:** DO NOT operate the tool with loose blades. If blades should come loose while operating, the blade mounts and threads can become damaged, requiring significant repairs to the tool.

### 7.4 Tooth Sharpness

With use, the blades will become dull and the cutting performance will decrease. This can be largely restored by re-sharpening the teeth. To re-sharpen blade teeth, use the ARBORTECH Sharpening disk (BLA.FG.SHARP001) Occasionally, if very hard materials are cut, or the teeth impact a hard surface at an odd angle, teeth may become chipped or broken. The blades can still be used, but cutting performance will be reduced.

If "blueing" of the blade periphery occurs, the blades are running too hot. This occurs when the blades become worn, too much force being used, insufficient "sweeping" motion by the operator, or material being too hard.

**IMPORTANT** To ensure optimal performance and reduce load on motor, Blades should be kept sharp.

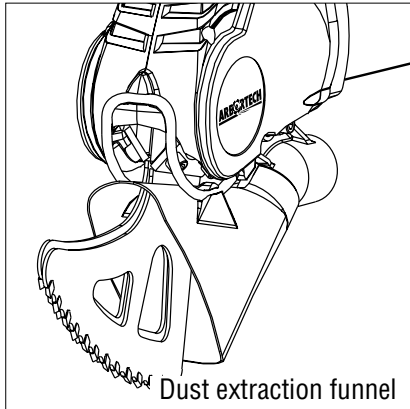
## 8. ACCESSORIES

### 8.1 Dust Extraction

The AS170 should be fitted with a dust extraction funnel, which significantly reduces airborne and heavy dust when used correctly. It consists of a fitting attached to the underside of the aluminium housing and an adjustable extraction funnel which is replaceable. The dust extraction fitting has a standard 30mm (1 3/16") bore.

**NOTE:** Failure to use the dust extraction funnel when cutting masonry materials will cause excessive wear of electrical components. Damage caused by dust will lead to premature failure of the motor, which will affect the warranty.

**CAUTION:** Verify that the vacuum machine being used has a filter system appropriate for the material being cut. Incorrect filtration can result in inadequate dust control and also possible damage to the vacuum machine.



ITEM	SPECIFICATION
Electrical rating, nominal	230-240 VAC, 50Hz, 1250W (Australia) 230 VAC, 50 Hz 1250W (Europe) 110 - 120 VAC, 50-60 Hz 13A (USA/CANADA/UK Industrial)
Dust extraction vacuum hose interface	Suits vacuum hose with inner diameter of 25mm (1" ), 32mm (1 1/4"), 37mm (1 3/8") or outer hose diameter 32mm
Belt tension	1 mm (1/16") maximum mid-span deflection with 25 N (2.5 kg) (5lb) deflection force
Blade mount bolt torque	18 Nm (1.8 kg-m), (13.2ft-lb),

## 9. SPECIFICATIONS

ITEM	SPECIFICATION
Cutting depth/width	120mm (4 3/4")/6.5mm (1/4"), depending on blade
Weight, with cutting blades	4.3kg (9.5lb)
Dimensions without blades	450 mm (17 7/8") L 75 mm (3") W 240 mm (9 1/2") H
No load speed $n_0$	5100 rpm

TECHNICAL DATA	
Vibration	7.7 m/s <sup>2</sup>
Noise	92db max at 1.0m

The declared vibration emission level is based on no measurements representing the main applications of the tool. However if the tool is used for different applications, with different accessories or poorly maintained, the vibration emission may differ. This may significantly increase the exposure level over the total working period. An estimation of the level of exposure to vibration should also take into account the times when the tool is switched off or when it is running but not actually doing the job. This may significantly reduce the exposure level over the total working period. Identify additional safety measures to protect the operator from the effects of vibration such as: maintain the tool and the accessories, keep the hands warm, organisation of work patterns.

The values state here only indicates the loudness emitted by this machine. Whether the operator is required to wear hearing protection can not be determined here. This depends on how much noise reaches the operator's ear. Even though it may not be explicitly required, it is in your own interest to always wear hearing protection when operating this machine.



### Declaration of Conformity

We declare under our sole responsibility that the product AS170 Brick and Mortar Saw described under "Specifications" is in conformity with the following standards or standardization documents: EN 60745 according to the provisions of the Machinery Directive 2006/42/EC

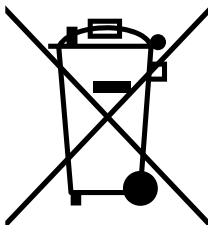
Technical file at:  
Arbortech PTY LTD  
67 Westchester Road  
Malaga, WA 6090

## 10. WARRANTY AND SERVICE

For warranty repair, inspection, service and spare parts, please contact your place of purchase, or  
Check out our website [www.arbortech.com.au](http://www.arbortech.com.au) to locate a dealer or service agent in your area

### Disposal

The machine, accessories and packaging should be sorted for environmental-friendly recycling. Only for EC countries: Do not dispose of power tools into household waste! According the European Guideline 2002/96/EC for Waste Electrical and Electronic Equipment and its implementation into national right, power tools that are no longer usable must be collected separately and disposed of in an environmentally correct manner.



Kevin Inkster  
Chairman  
Arbortech Pty Ltd

Arbortech PTY LTD  
67 Westchester Road  
Malaga, WA 6090

Sven Blicks  
Commercial Director  
Arbortech Pty Ltd

## 11. TROUBLESHOOTING

This fault diagnosis is intended for use by persons familiar with mechanical devices, and provides a basic capability to maintain the tool. To correct the user serviceable faults, refer to the Maintenance section of this manual. The more complex repairs as noted below, must be performed by an authorised service centre.

ITEM	SYMPTOM	CHECK/REMEDY
1	Motor overheating	<ul style="list-style-type: none"> <li>• Verify that all cooling vents are not obstructed by operators hand, debris in vents, or other. Remedy or clean as required.</li> <li>• Verify blades are not rubbing against each other with excessive force, either at cutting edge or close to blade mounts.</li> <li>• Blades may be worn and overheating. Replace as required.</li> <li>• Check that belt tension is not excessive.</li> <li>• Check that bearings have not failed by removing plastic side cover and belt and rotating both pulleys independently checking for roughness. The power pulley should rotate easily and smoothly. The driven pulley should rotate smoothly but will have a "springy" feel, wanting to stay in either of 2 positions.</li> <li>• Verify that the motor housing is secure with the tool. If loose, refer to authorised service centre immediately.</li> </ul>

ITEM	SYMPTOM	CHECK/REMEDY
2	Noisy operation or unusual vibration	<ul style="list-style-type: none"> <li>• Blades loose -tighten blade mount bolts</li> <li>• Blade failure - replace blade set</li> <li>• Leaf spring failure - contact authorised service centre</li> <li>• Bearing failure - contact authorised service centre.</li> <li>• Gearbox failure - contact authorised service centre.</li> <li>• Handle rubber mounts damaged or worn - replace.</li> </ul>
3	Handle rubber mounts damaged or worn	<ul style="list-style-type: none"> <li>• replace</li> </ul>
4	One or both conrods/blades loose, even when mounting bolts tightened	<ul style="list-style-type: none"> <li>• Leaf spring failure - contact ARBORTECH authorised service centre.</li> </ul>
5	Tool running and blades not moving	<ul style="list-style-type: none"> <li>• Loose belt or broken belt- re-tension or replace as necessary.</li> <li>• Worn belt - replace belt.</li> </ul>
7	Blades continually coming loose	<ul style="list-style-type: none"> <li>• Check the blade bolt holes. If bolt holes are elongated replace blades</li> </ul>
8	Worn pulleys	<ul style="list-style-type: none"> <li>• contact ARBORTECH authorised service centre.</li> </ul>
9	Slow cutting performance	<ul style="list-style-type: none"> <li>• Teeth worn, chipped or lost. Sharpen or replace blade.</li> <li>• Belt slipping - see Symptom 4.</li> </ul>
10	Blades rubbing against each other with excessive force	<ul style="list-style-type: none"> <li>• Attempting to cut material which is too hard.</li> </ul>
11	Blades continually coming loose	<ul style="list-style-type: none"> <li>• Check the blade bolt holes. If bolt holes are elongated replace blades.</li> </ul>
12	Blades rubbing together with excessive force.	<ul style="list-style-type: none"> <li>• Remove blade/s and bend slightly to correct.</li> </ul>
13	Blade teeth chipped or lost.	<ul style="list-style-type: none"> <li>• Occurs occasionally if hard material is encountered, or if the “back side” of teeth are impacted.</li> <li>• Care not taken in setting tool down on teeth on hard surfaces or loose in tool box.</li> <li>• Worn blades will start to become hot in certain areas, causing teeth to de-bond - replace blades.</li> <li>• Material too hard.</li> </ul>
14	Loose top handle.	<ul style="list-style-type: none"> <li>• Worn or damaged rubber bushes - replace.</li> </ul>
15	Blades “blueing”.	<ul style="list-style-type: none"> <li>• Worn teeth - replace blades.</li> <li>• Excessive force being used.</li> <li>• Insufficient “sawing” motion by the operator.</li> <li>• Material too hard.</li> </ul> <p>Blades rubbing together with excessive force (see section 8).</p>
16	Blade mounting bolts not tightening fully.	<ul style="list-style-type: none"> <li>• Threads on bolts stripped - replace bolts not tightening.</li> </ul>
17	Threads on tool stripped	<ul style="list-style-type: none"> <li>• Contact your ARBORTECH authorized service center.</li> </ul>
18	Tool will not run.	<ul style="list-style-type: none"> <li>• The AS170 is fitted with Auto cut off brushes.</li> <li>• Check brushes are not damaged or excessively worn - replace Contact your ARBORTECH authorised service centre.</li> </ul>





## BEDIENUNGSANLEITUNG

Bitte lesen Sie diese Bedienungsanleitung sorgfältig durch, um den korrekten Betrieb und die richtige Pflege des Geräts zu gewährleisten. Bei korrekter Anwendung der AS170 sichern Sie sich über Jahre hinweg den zuverlässigen Betrieb und sparen dabei Zeit und Geld.



**durchgängig doppelt isoliert keine Erdung vorgesehen**



**AS170**  
BRICK + MORTAR SAW

# INHALTSVERZEICHNIS

SEITE

1. EINLEITUNG	2
2. ALLGEMEINE SICHERHEITSHINWEISE FÜR ELEKTROWERKZEUGE	2-4
3. SPEZIELLE SICHERHEITSHINWEISE	4
4. FUNKTIONSBESCHREIBUNG	7
4.1 AS170 Beschreibung des Werkzeugs	7
4.2 Beschreibung der Klingen	7
5. LEGENDE DER STANDARDTEILE	5-6
6. BETRIEB	7
6.1 Inbetriebnahme	7
6.2 Bedienung	8-10
7. WARTUNG UND INSTANDHALTUNG	10
7.1 Motor	10
7.2 Keilriemen und Scheiben	10-11
7.3 Schrauben und Gewinde am Klingenaufsatz	11
7.4 Oberer Griff und Gummibuchsen	11
8. ZUBEHÖR	11
8.1 Staubabsaugung	11
9. ALLGEMEINE SPEZIFIKATIONEN	12
10. GEWÄHRLEISTUNG, REPARATUR- UND SERVICECENTER	12-13
11. FEHLERBEHEBUNG	14-15

Bitte lesen Sie diese Anweisungen, bevor Sie das erste Mal mit Ihrer AS170 arbeiten.

DEUTSCH

## 1. EINLEITUNG

Die Arbortech AS170 wurde in Australien entworfen und hergestellt unter ausschließlicher Verwendung der hochwertigsten Komponenten und Herstellungsprozesse.

Die einzigartige, patentierte, Schneidbewegung der beiden gegenläufigen Klingen ermöglicht effizientes Schneiden von Mörtel und Mauersteinen (Ziegelsteine, Kalksandstein, Porenbeton, etc.).

Durch diese Schneidbewegung entsteht nur minimaler herumfliegender Feinstaub. Zudem gewährleistet die AS170 einen sicheren und kontrollierbaren Betrieb und ermöglicht Einstechschnitte von bis zu 120 mm Tiefe, Schnitte in rechteckige Winkel sowie Schnitte von unterschiedlicher Breite. Die AS170 ist optimal geeignet zum Ausführen einer Reihe von Aufgaben, unter anderem:

- Entfernung von Mörtel zum Aufarbeiten von Ziegelstein-Zwischenräumen
- Entfernung von einzelnen Ziegelsteinen aus Mauern
- Schneiden von Ziegelsteinen ohne die angrenzenden Teile zu beschädigen und ohne Ausbruch,
- Keilen oder Vorzähnen von Ziegelsteinmauern
- Ausmeißeln von Kanälen zur Verlegung von Leitung usw. in Mauern
- Schneiden von Löchern in Mauern oder anderen Flächen
- Fertigstellung von Eckschnitten in Mauern.
- Schneiden von verunreinigtem Holz
- Schneiden von Holz im Boden
- Entfernung von Baumwurzeln
- Beschneiden von Bäumen.

**Das Werkzeug kann mit einer Reihe von Klingen ausgestattet werden, die sich für unterschiedliche Anwendungen bestens eignen.**

### **Definitionen: Sicherheitsrichtlinien:**

Die nachfolgenden Definitionen beschreiben die Relevanz der einzelnen Warnhinweiswörter. Bitte lesen Sie das Handbuch und achten Sie auf diese Symbole.

⚠ **GEFAHR:** Weist auf eine unmittelbar drohende gefährliche Situation hin, die, sofern nicht vermieden, zu tödlichen oder schweren Verletzungen führen wird.

⚠ **WARNUNG:** Weist auf eine möglicherweise gefährliche Situation hin, die, sofern nicht vermieden, zu tödlichen oder schweren Verletzungen führen kann.

⚠ **VORSICHT:** Weist auf eine möglicherweise gefährliche Situation hin, die, sofern nicht vermieden, u. U. zu leichten oder mittelschweren Verletzungen führen kann.

**VORSICHT:** Weist bei Verwendung ohne das Sicherheitssymbol auf eine möglicherweise gefährliche Situation hin, die, sofern nicht vermieden, ggf. zu Sachschäden führt.

⚠ Weist auf ein Stromschlagrisiko hin.

⚠ **WICHTIG: INKORREKTE BEDIENUNG KANN ZU FRÜHZEITIGEM VERSCHLEISS ODER BESCHÄDIGUNG DES WERKZEUGES FÜHREN. LESEN SIE DIE BEDIENUNGSANLEITUNG, UM EINE KORREKTE VERWENDUNG DES WERKZEUGES ZU GEWÄHRLEISTEN.**

## 2. ALLGEMEINE SICHERHEITSHINWEISE FÜR ELEKTROWERKZEUGE

⚠ **ACHTUNG!** Lesen Sie alle Sicherheitshinweise und Anweisungen. Versäumnisse bei der Einhaltung der Sicherheitshinweise und Anweisungen können elektrischen Schlag, Brand und/oder schwere Verletzungen verursachen.

BEWAHREN SIE ALLE SICHERHEITSHINWEISE UND ANWEISUNGEN FÜR DIE ZUKUNFT AUF.

### 1) **Arbeitsplatzsicherheit**

a) **Halten Sie Ihren Arbeitsbereich sauber und gut beleuchtet.** Unordnung oder unbeleuchtete Arbeitsbereiche können zu Unfällen führen.

b) **Arbeiten Sie mit dem Elektrowerkzeug nicht in explosionsgefährdeter Umgebung, in der sich brennbare Flüssigkeiten, Gase oder Stäube befinden.**

c) **Halten Sie Kinder und andere Personen während der Benutzung des Elektrowerkzeugs fern.** Bei Ablenkung können Sie die Kontrolle über das Gerät verlieren

### 2) **Elektrische Sicherheit**

a) **Der Anschlussstecker des Elektrowerkzeuges muss in die Steckdose passen. Der Stecker darf in keiner Weise verändert werden. Verwenden Sie keine Adapterstecker gemeinsam mit schutzgeerdeten Elektrowerkzeugen.**

Unveränderte Stecker und passende Steckdosen verringern das Risiko eines elektrischen Schlages.

b) **Vermeiden Sie Körperkontakt mit geerdeten Oberflächen wie Rohren, Heizungen, Herden und Kühlschränken.** Es besteht ein erhöhtes Risiko

durch elektrischen Schlag, wenn Ihr Körper geerdet ist.

- c) **Halten Sie das Gerät von Regen oder Nässe fern.** Das Eindringen von Wasser in ein Elektrowerkzeug erhöht das Risiko eines elektrischen Schlages.
- d) **Zweckentfremden Sie das Kabel nicht, um das Elektrowerkzeug zu tragen, aufzuhängen oder um den Stecker aus der Steckdose zu ziehen. Halten Sie das Kabel fern von Hitze, Öl, scharfen Kanten oder sich bewegenden Geräteteilen.** Beschädigte oder verwickelte Kabel erhöhen das Risiko eines elektrischen Schlages.
- e) **Wenn Sie mit einem Elektrowerkzeug im Freien arbeiten, verwenden Sie nur Verlängerungskabel, die auch für den Außenbereich geeignet sind.** Die Anwendung eines für den Außenbereich geeigneten Verlängerungskabels verringert das Risiko eines elektrischen Schlages.
- f) Wenn der Betrieb des Elektrowerkzeuges in feuchter Umgebung nicht vermeidbar ist, verwenden Sie einen Fehlerstromschutzschalter. Der Einsatz eines Fehlerstromschutzschalters vermindert das Risiko eines elektrischen Schlages.

### 3) Sicherheit von Personen

- a) **Seien Sie aufmerksam, achten Sie darauf, was Sie tun und gehen Sie mit Vernunft an die Arbeit mit einem Elektrowerkzeug. Benutzen Sie kein Elektrowerkzeug, wenn Sie müde sind oder unter dem Einfluss von Drogen, Alkohol oder Medikamenten stehen.** Ein Moment der Unachtsamkeit beim Gebrauch des Elektrowerkzeuges kann zu ernsthaften Verletzungen führen.
- b) **Tragen Sie persönliche Schutzausrüstung und immer eine Schutzbrille.** Das Tragen persönlicher Schutzausrüstung, wie Staubmaske, rutschfeste Sicherheitsschuhe, Schutzhelm oder Gehörschutz, je nach Art und Einsatz des Elektrowerkzeuges, verringert das Risiko von Verletzungen.
- c) **Vermeiden Sie eine unbeabsichtigte Inbetriebnahme. Vergewissern Sie sich, dass das Elektrowerkzeug ausgeschaltet ist, bevor Sie es an die Stromversorgung und/oder den Akku anschließen, es aufnehmen oder tragen.** Wenn Sie beim Tragen des Elektrowerkzeuges den Finger am Schalter haben oder das Gerät eingeschaltet an die Stromversorgung anschließen, kann dies zu Unfällen führen.
- d) **Entfernen Sie Einstellwerkzeuge oder**

**Schraubenschlüssel, bevor Sie das Elektrowerkzeug einschalten.** Ein Werkzeug oder Schlüssel, der sich in einem drehenden Geräteteil befindet, kann zu Verletzungen führen.

- e) **Vermeiden Sie eine abnormale Körperhaltung. Sorgen Sie für einen sicheren Stand und halten Sie jederzeit das Gleichgewicht.** Dadurch können Sie das Elektrowerkzeug in unerwarteten Situationen besser kontrollieren.
- f) **Tragen Sie geeignete Kleidung.** Tragen Sie keine weite Kleidung oder Schmuck. Halten Sie Haare, Kleidung und Handschuhe fern von sich bewegenden Teilen. Lockere Kleidung, Schmuck oder lange Haare können von sich bewegenden Teilen erfasst werden.
- g) Wenn Staubabsaug- und Auffangeinrichtungen montiert werden können, vergewissern Sie sich, dass diese angeschlossen sind und richtig verwendet werden. Verwendung einer Staubabsaugung kann Gefährdungen durch Staub verringern.

### 4) Sorgfältiger Umgang mit und Gebrauch von Elektrowerkzeugen

- a) **Überlasten Sie das Gerät nicht. Verwenden Sie für Ihre Arbeit das dafür bestimmte Elektrowerkzeug.** Mit dem passenden Elektrowerkzeug arbeiten Sie besser und sicherer im angegebenen Leistungsbereich.
- b) **Benutzen Sie kein Elektrowerkzeug, dessen Schalter defekt ist.** Ein Elektrowerkzeug, das sich nicht mehr ein- oder ausschalten lässt, ist gefährlich und muss repariert werden.
- c) **Ziehen Sie den Stecker aus der Steckdose und/oder entfernen Sie den Akku, bevor Sie Geräteeinstellungen vornehmen, Zubehörteile wechseln oder das Gerät weglegen.** Diese Vorsichtsmaßnahme verhindert den unbeabsichtigten Start des Elektrowerkzeuges.
- d) **Bewahren Sie unbenutzte Elektrowerkzeuge außerhalb der Reichweite von Kindern auf. Lassen Sie Personen das Gerät nicht benutzen, die mit diesem nicht vertraut sind oder diese Anweisungen nicht gelesen haben.** Elektrowerkzeuge sind gefährlich, wenn sie von unerfahrenen Personen benutzt werden.
- e) **Pflegen Sie das Elektrowerkzeug mit Sorgfalt. Kontrollieren Sie, ob bewegliche Geräteteile einwandfrei funktionieren und nicht klemmen, ob Teile gebrochen oder so beschädigt sind,**

**dass die Funktion des Elektrowerkzeuges beeinträchtigt ist. Lassen Sie beschädigte Teile vor dem Einsatz des Gerätes reparieren.** Viele Unfälle haben ihre Ursache in schlecht gewarteten Elektrowerkzeugen.

f) **Halten Sie Schneidwerkzeuge scharf und sauber.** Sorgfältig gepflegte Schneidwerkzeuge mit scharfen Schneidkanten verklemmen sich weniger und sind leichter zu führen.

g) **Verwenden Sie Elektrowerkzeug, Zubehör, Einsatzwerkzeuge usw. entsprechend diesen Anweisungen. Berücksichtigen Sie dabei die Arbeitsbedingungen und die auszuführende Tätigkeit.** Der Gebrauch von Elektrowerkzeugen für andere als die vorgesehenen Anwendungen kann zu gefährlichen Situationen führen.

### 5) Service

a) **Lassen Sie Ihr Elektrowerkzeug nur von qualifiziertem Fachpersonal und nur mit Original-Ersatzteilen reparieren.** Damit wird sichergestellt, dass die Sicherheit des Gerätes erhalten bleibt.

**HINWEIS: s. Liste von durch den Anwender austauschbaren Ersatzteilen in Kap.5**

### 3. SPEZIELLE SICHERHEITSHINWEISE

1. **Halten Sie das Werkzeug an den isolierten Haltegriffen wenn die Gefahr besteht in elektrische Kabel zu schneiden.**

2. **Entfernen Sie Einstellwerkzeuge oder Schraubenschlüssel bevor Sie das Geräet einschalten.**

3. **Verwenden Sie das Werkzeug nur mit in dieser Bedienungsanleitung empfohlenen Schneideklingen und Zubehör.**

4. **Verwenden Sie das Werkzeug nur mit der für dieses Gerät vorgeschriebenen Stromspannung.**

5. **Starten Sie das Werkzeug niemals unter Last.** Erst einschalten, dann am Arbeitsmaterial ansetzen.

6. **Starten Sie das Werkzeug niemals wenn sich Finger oder andere Gegenstände in den Löchern der Schneideklingen befinden.**

7. **Während des Betriebs heizen sich Klingen und andere Teile des Gerätes auf. Seien Sie während und nach der Benutzung vorsichtig.**

8. **Stellen Sie vor dem Schneiden sicher,**

**dass keine verborgenen Gefahrenquellen wie Hochspannungsdrähte, Wasserrohre, etc. vorhanden sind.**

9. **Immer wieder Pausen einlegen, um die Auswirkungen von Vibrationen zu mindern.**

10. **Stellen Sie sicher, dass die Staubabsaugung angeschlossen ist und korrekt funktioniert.**

11. **Halten Sie die Griffe trocken, sauber und frei von Öl und Fett.**

12. **Wenn Schutzbügel oder andere Werkzeugteile beschädigt erscheinen, prüfen Sie diese Teile sorgfältig vor der Wiederinbetriebnahme, um sicherzustellen, dass das Gerät ordnungsgemäss und zweckentsprechend funktioniert.**

13. **Verwendung von Zubehör, welches nicht in dieser Bedienungsanleitung empfohlen ist, kann zu erhöhten Verletzungsrisiko führen.**

14. **Überlasten Sie das Gerät nicht, um ein Überhitzen von Getriebe und Motor zu vermeiden.**

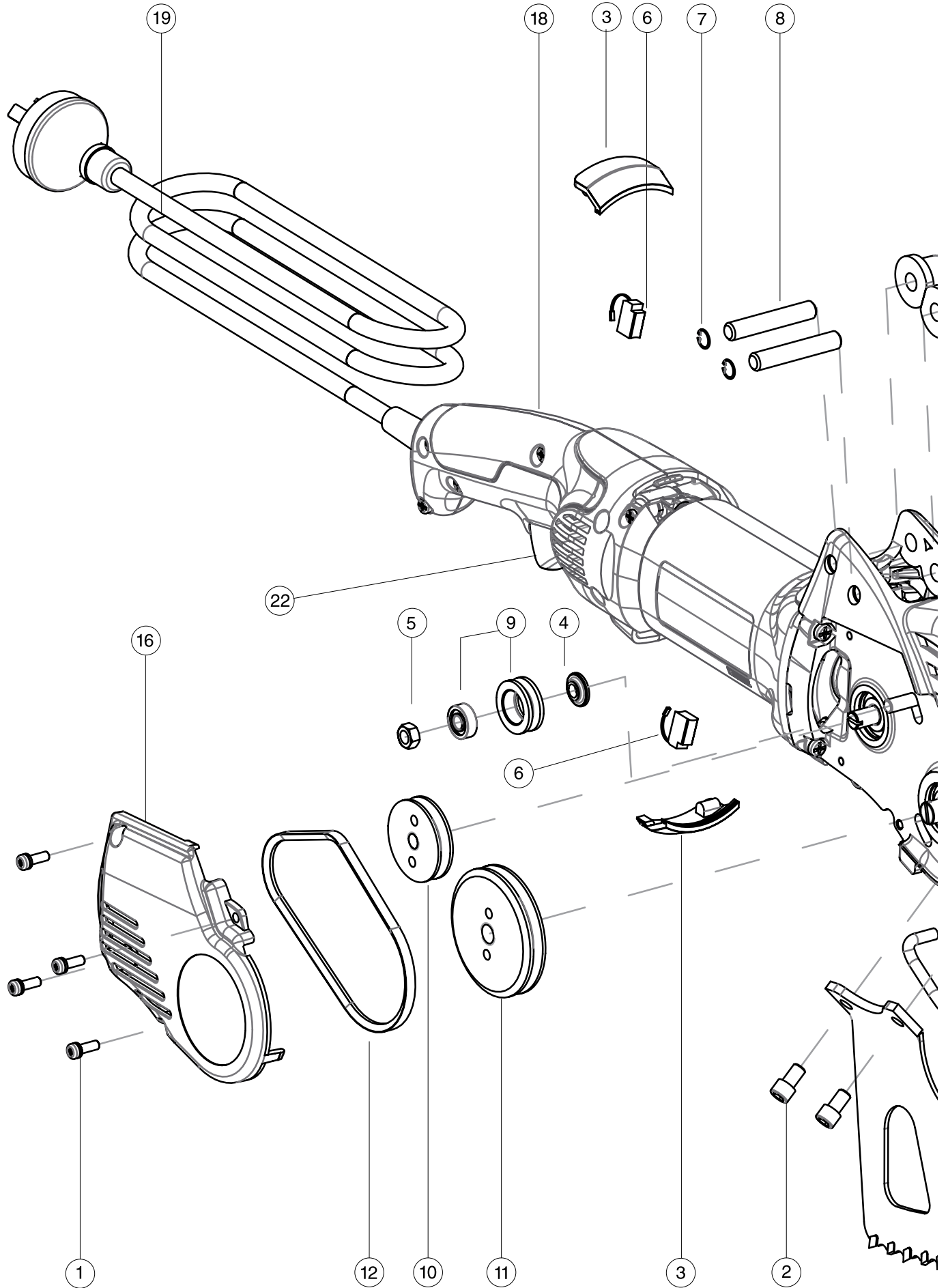
15. **Werkzeug immer mit beiden Händen halten.**

SYMBOLE: Die folgenden Symbole werden in dieser Bedienungsanleitung verwendet

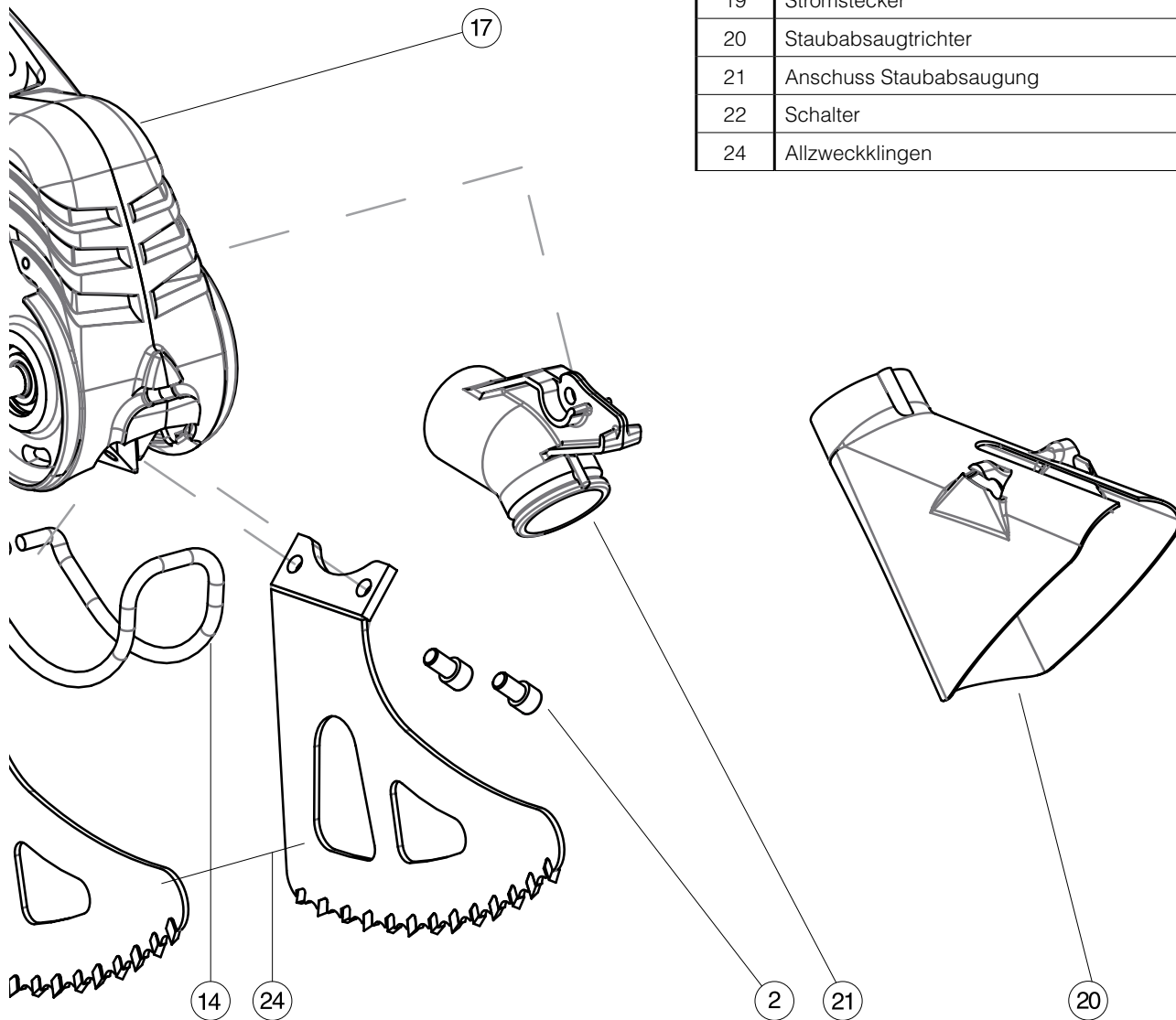
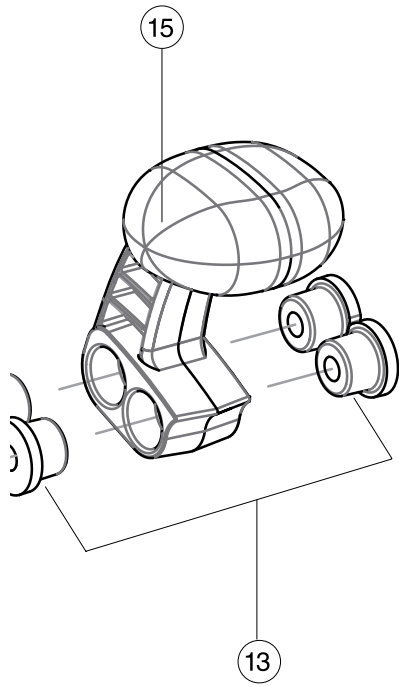
	Shutzklasse II
VAC	Volt Wechselspannung
A	ampere
Hz	hertz
W	watt
N <sub>0</sub>	leerlaufdrehzahl
rpm	umdrehungen/min
dB	dezibel
Nm	newtonmeter
m	meter
m/s	meter/sekunde
mm	millimeter
kg-m	kilogram meters

# 5. LEGENDE DER STANDARDTEILE

DEUTSCH



DEUTSCH 5



1	Kreuzschraube - Riemengehäuse, M4 x 12	4
2	Innensechskantschraube, M6 x 10 Inbus	4
3	Abdeckung Kohlebürste	2
4	Unterlegscheibe	1
5	Sechskantschraube	1
6	Kohlebürste	2
7	Interner Spreizring	2
8	Stift	2
9	Spannrolle	1
10	Antriebsrad	1
11	Getriebene Riemenscheibe	1
12	Riemen	1
13	Gummibuchse	4
14	Schutzbügel	1
15	Griff	1
16	Riemengehäuse	1
17	Gehäuse	1
18	Motor	1
19	Stromstecker	1
20	Staubabsaugtrichter	1
21	Anschluss Staubabsaugung	1
22	Schalter	1
24	Allzweckklingen	1

## 4. FUNKTIONSBESCHREIBUNG

### 4.1 AS170 BESCHREIBUNG DES WERKZEUGS

Die AS170 ist für das Schneiden von festen Materialien, wie Mörtel, Ziegelsteinen aus Ton, Gipsplatten, Faserplatten, Schindelbrettern und Holz geeignet. Die AS170 verwendet eine Reihe von unterschiedlichen Klingen, je nach zu (entsprechend dem zu) bearbeitendem Material. Klingen können auch ausgetauscht werden, um die benötigte Tiefe oder Länge des Schnittes zu erreichen.

Die Klingen werden von Pleueln und einer Riemen getriebenen Nockenwelle angetrieben. Der Keilriemen ist mit einem gewissen Schlupf ausgestattet, falls die Klingen klemmen. DIE RIEMENSPANNUNG MUSS NACH DEN ERSTEN 5 STUNDEN BETRIEB GEPRÜFT WERDEN. Durch Entfernung der Kunststoffabdeckung kann er leicht ausgetauscht werden; zum Spannen wird der einstellbare Spannroller verwendet (vgl. Abschnitt 7.3).

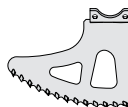
Die Klingen werden mit Hilfe von speziellen Innensechskantschrauben an die Pleuel angeschlossen.

Der mitgelieferte austauschbare Schutzbügel reduziert die maximale Schneidtiefe und verhindert eine Beschädigung der Oberfläche des Schneidmaterials durch den Klingenaufsatz. Dank des oberen Gummigriffs werden Schläge und Vibrationen reduziert. Der obere Griff ist ferner so konzipiert, dass ein bequemes Bedienen in verschiedenen Schneidrichtungen gewährleistet ist. Die Gummibuchsen am oberen Griff können bei Abnutzung oder Beschädigung ausgetauscht werden.

### 4.2 BESCHREIBUNG DER KLINGEN

Die AS170 verwendet eine Reihe von Klingen zum Schneiden von unterschiedlichen Materialien und Profilen.

Allzweckklingen verwenden Hartmetallzähne und sind geeignet für das Schneiden von normalem Mauerwerk und Arbeiten im Boden. Allzweckklingen sind für Schneidtiefen bis zu 115 mm ausgelegt.



Einsteckklingen für Mauerwerk verwenden Hartmetallzähne und bieten eine maximale Schneidtiefe von 120 mm. Diese Klingen können Schlitzte von 75 mm Länge (Höhe eines einzelnen Ziegelsteins) schneiden.



Abzweigdosenklingen verwenden Hartmetallzähne und bieten eine maximale Schneidtiefe von 120 mm. Geeignet für die Installation kleiner Stromdosen in Putz/Ziegelstein/Mauerwerk.



Mörtelklingen zum Entfernen des Mörtels zwischen den Backsteinen bei Restaurierungsarbeiten und Reinigen von Fugen. Schnitttiefe bis zu 35mm.



Holzklängen Die Holzklängen werden beim Schneiden von sauberem Holz verwendet.



**HINWEIS:** Alle Klingen können bei nicht übermäßiger Abnutzung nachgeschliffen werden.

## 5. LEGENDE DER STANDARDTEILE

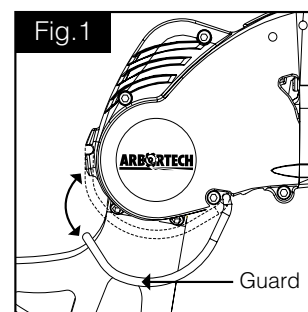
(s.Seite 5-6)

## 6. BETRIEB

### 6.1 INBETRIEBNAHME

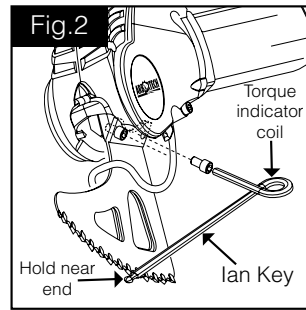
Die AS 170 wird betriebsbereit geliefert, jedoch müssen eventuell die passenden Klingen für das Schneidmaterial ausgewechselt werden.

Vor dem Klingenwechsel muss der Schutzbügel um die Klingenaufsätze sorgfältig aus der Fuge am vorderen Ende des Werkzeugs herausgelöst und zur Seite geschoben werden, um an die Kopfschrauben zu gelangen (Siehe Abb. 1).





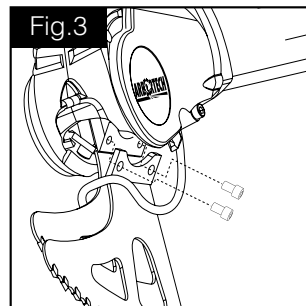
Mit Hilfe des mitgelieferten Sechskantschlüssels lösen und entfernen Sie die Kopfschrauben, dann entfernen Sie die Klingen, wie in Abbildung 2 gezeigt.



Die richtigen Klingen für das Schneidmaterial auswählen und zusammen mit ihren Kopfschrauben montieren. Stellen Sie vor der Zusammenführung der Klingen sicher, dass die Oberflächen der Klingenaufsätze, das Pleuelgewinde und die Schrauben sauber und schmutzfrei bzw. frei von jeglichen Schmiermitteln sind, und dass der Schutzbügel vor Befestigen der Klingen am Pleuel zugemacht werden kann (Siehe Abb. 2).

**HINWEIS:** Klingen gleicher Art immer paarweise benutzen. Alte Klingen nie mit neuen Klingen verwenden. Verwenden Sie nur die mitgelieferten Schrauben.

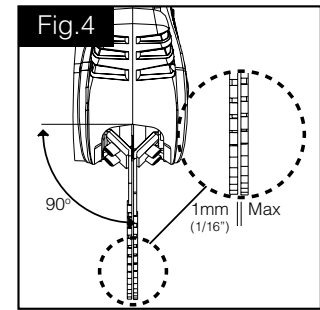
Schrauben des Blattaufsatzes gemäß Angabe im Abschnitt 9 festziehen. Bei Verwendung des speziellen Inbusschlüssels müssen die Schrauben so lange festgezogen werden, bis die Seiten der Drehmomentfeder sich berühren.



**HINWEIS:** Klingen gleicher Art immer paarweise benutzen. Alte Klingen nie mit neuen Klingen verwenden. Verwenden Sie nur die mitgelieferten Schrauben.

**VORSICHT:** Das Werkzeug nicht in Betrieb nehmen, wenn die Klingen lose sind. Ein Betrieb bei nicht festgezogenen Klingen führt zu ernsthafter Beschädigung der Klingenaufsätze und Schrauben, die nur durch eine fachmännische Reparatur im Servicecenter behoben werden kann.

Sicherstellen, dass die Zähne sich leicht berühren oder im Abstand von ca. 1 mm zueinander stehen (Abb. 4).



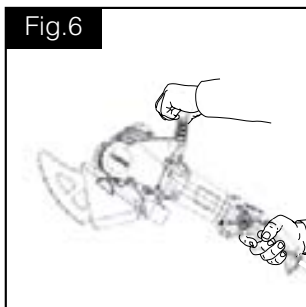
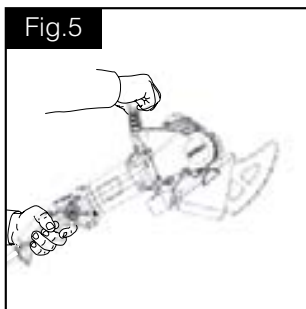
Falls der Abstand zwischen den Klingen zu groß ist – was nach wiederholter Benutzung der Fall sein kann –, können sie abmontiert und sanft einwärts gebogen werden, um den richtigen Abstand einzustellen.

**VORSICHT:** Wenn die Klingen einander berühren in einem Abstand von mehr als 25 mm von der Schneidfläche oder die Anpresskraft zu hoch ist, kann dies zu einer Überbelastung des Werkzeugs und zu vorzeitigem Riemenverschleiß führen. Führen Sie den Schutzbügel zurück in die vorgesehene Fuge und klicken Sie ihn fest (Siehe Abb. 1).

DEU

## 6.2 BEDIENUNG

**▲HINWEIS:** Während des Betriebs kann es zu Hand-Armvibrationen kommen, welche im Fall von langer ununterbrochener Anwendung zu Ermüdung oder Beschwerden führen können.



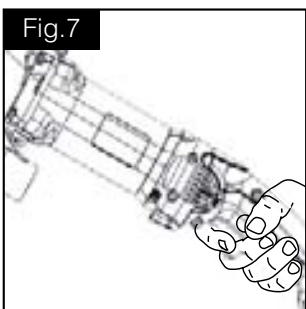
Die Stärke der Vibrationen hängt von der Härte des Scheidematerials ab. Verwenden Sie das Werkzeug nicht wenn Beschwerden auftreten und legen Sie ausreichende Pausen ein. Für weitere Informationen, kontaktieren Sie den Hersteller.

Bitte lesen Sie den Sicherheitsabschnitt dieser Anleitung durch, bevor Sie das Werkzeug in Betrieb nehmen.

Tragen Sie Gehör-, Atem-, Augen- und Körperschutz, wo nötig.

Wenn die Klängen befestigt sind, und der Schalter auf AUS/OFF steht, schließen Sie das Netzkabel an.

**VORSICHT:** Achten Sie darauf, dass die Kühlluftschlitze nicht zugestellt sind, und dass kein Staub oder Schmutz am hinteren Teil des Motors hineingelangen kann, da dies zu einer Überhitzung des Motors führen kann. Beim Betrieb in einer staubigen Umgebung empfiehlt es sich, die Schlitze mit Luftdruck regelmäßig zu reinigen (Siehe Abb 7).

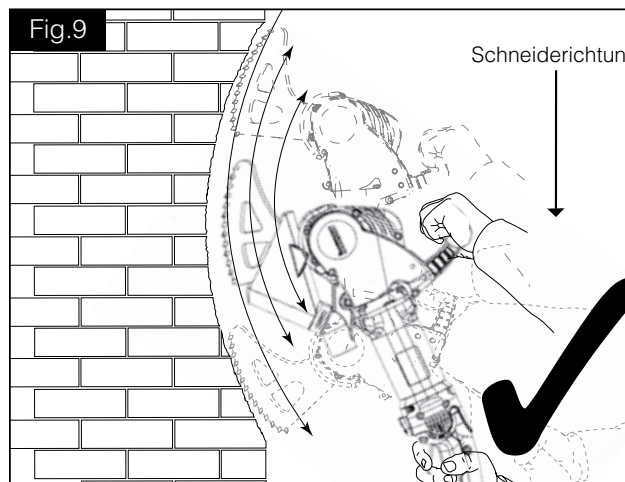
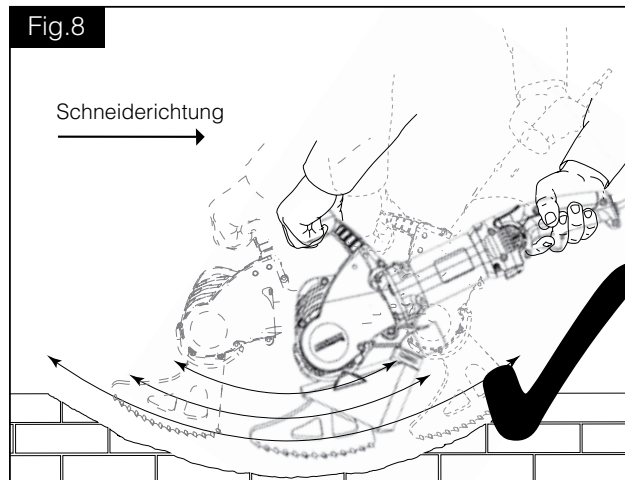


Halten Sie das Werkzeug sowohl am oberen Griff und am Motorgehäuse so fest, dass ein bequemes Arbeiten möglich ist (Abb. 5&6).

Um den Schnitt zu beginnen, halten Sie das Werkzeug mit beiden Händen fest und setzen Sie den mittleren Teil der Schneidfläche an das Material an. Denken Sie daran, dass die Schneidrichtung

zum hinteren Teil der Klängen hin führt.

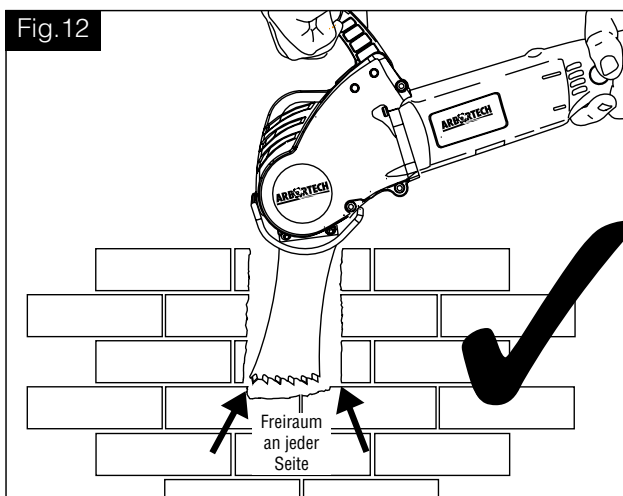
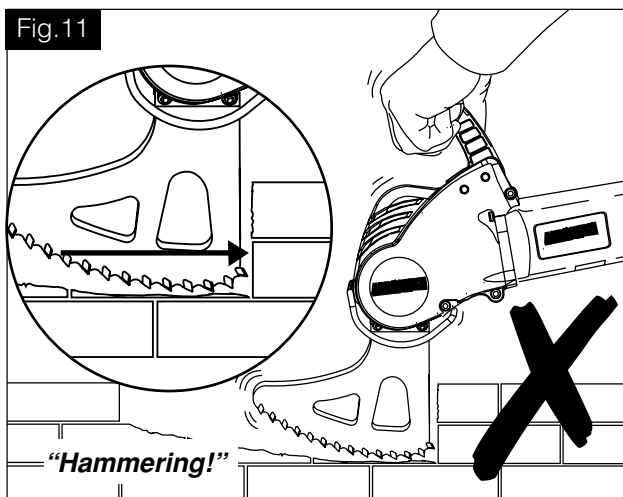
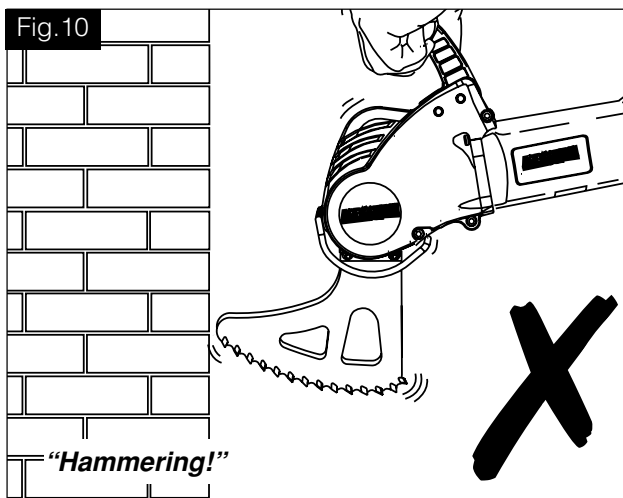
Während des Schneidens führen Sie das Werkzeug und die Klängen mit einer langsam „Säge“-Bewegung, um eine optimale Schneidleistung zu erzielen, die Wärmeerzeugung zu minimieren und eine gleichmäßige Belastung der Klängen zu gewährleisten (Siehe Abb. 8&9).



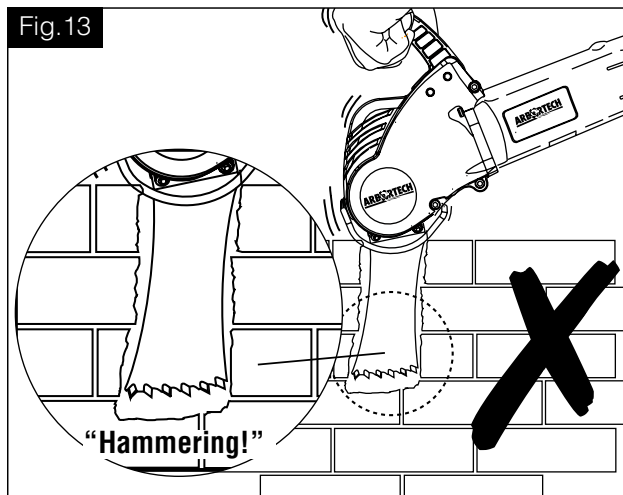
**VORSICHT** Die vorderen und hinteren Kanten der Klängen dürfen nicht gegen harte Flächen hämmern (Siehe Abb. 10,11&13), da dies zu einer Beschädigung der Klängen und des Werkzeugs führt. Falls dies doch passiert, schalten Sie das Werkzeug sofort aus und ziehen Sie es aus dem Schnitt heraus.

Bei der Verwendung aller Klingentypen führen Sie das Werkzeug langsam hin und her mit gleichmäßigen Bewegungen, um ein Hämmern der Klingenkanten in die Schnittenden zu vermeiden. Für optimale Leistung versuchen Sie, nur die Zähne mit dem Arbeitsmaterial in Verbindung zu bringen.

**VORSICHT:** Achten Sie beim Herabsetzen des Werkzeugs, dass die Hartmetallzähne nicht beschädigt werden.



Beim Benutzen der Einsteckklingen sollte genug Freiraum auf beiden Seiten gelassen werden (vgl. Abb. 12), um ein Hämmern an den Klingenkanten zu vermeiden (vgl. Abb. 13).



## 7. WARTUNG UND INSTANDHALTUNG

**⚠ WARNUNG:** Um das Verletzungsrisiko zu verringern, schalten Sie das Werkzeug aus und ziehen sie den Stromstecker bevor Sie Veränderungen an dem Werkzeug vornehmen oder Schneideklingen und Zubehör tauschen.

Bevor Sie den Stromstecker wieder anschließen, prüfen Sie den Schalter und stellen Sie sicher, da das Werkzeug ausgeschaltet ist.

Um die SICHERHEIT und ZUVERLÄSSIGKEIT ihres Gerätes zu gewährleisten, lassen Sie Ihr Elektrowerkzeug nur von qualifiziertem Fachpersonal und nur mit Original-Ersatzteilen reparieren. (inkl. Inspektion und Tausch von Kohlebürsten)

### 7.1 Motor

#### Reinigung

**VORSICHT:** Das Ausblasen von Staub und Schmutzresten aus den Motorschlitzern mit Druckluft sollte regelmäßig vorgenommen werden. Starke Verschmutzung kann zu vorzeitigem Verschleiß führen und kann Auswirkungen auf die Gewährleistung haben.

**⚠ WARNUNG:** Bei Betrieb oder Reinigung des Gerätes mit Druckluft immer eine Schutzbrille tragen.

**VORSICHT:** Verwenden Sie keine Lösungsmittel oder starke Chemikalien zur Reinigung der Plastikteile. Bitte nur ein trockenes und sauberes Tuch verwenden.

#### Schmierung

Keine zusätzliche Schmierung notwendig.

## Zubehör

Um das Verletzungsrisiko zu verringern, verwenden Sie ausschließlich Arbortech Zubehörteile. Empfohlene Arbortech Zubehörteile sind bei Ihrem lokalen Arbortech Händler oder Servicecenter verfügbar.

## Reparaturen

Bitte kontaktieren Sie ihren Fachhändler oder besuchen Sie unsere Webseite [www.arbortech.com.au](http://www.arbortech.com.au), um das nächstgelegene Arbortech Servicecenter zu lokalisieren.

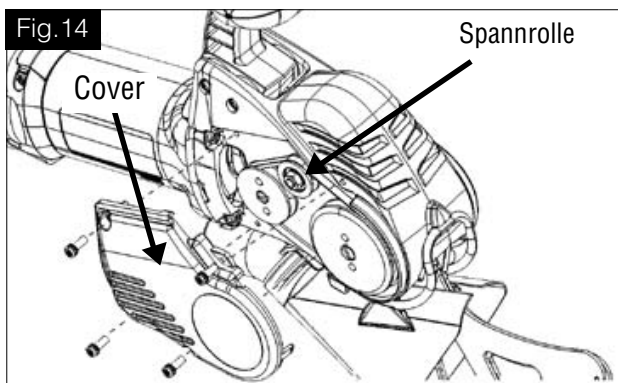
## BÜRSTEN

Die AS170 ist mit "Pop Off" Bürsten ausgestattet. Der Motor schaltet sich automatisch ab wenn die Bürsten fast verschlissen sind und das Werkzeug gewartet werden muss. Kontaktieren Sie Ihren lokalen Fachhändler oder ein Servicecenter, um die Bürsten auszutauschen.

## 7.2 KEILRIEMEN UND SCHEIBEN

**VORSICHT:** DER KEILRIEMEN SOLLTE NACH DEN ERSTEN 5 STUNDEN BETRIEB NACHGESpanNT WERDEN. Der Keilriemen uebernimmt die Funktion einer Sicherheitskupplung, falls die Klingen im Schnitt steckenbleiben / blockieren.

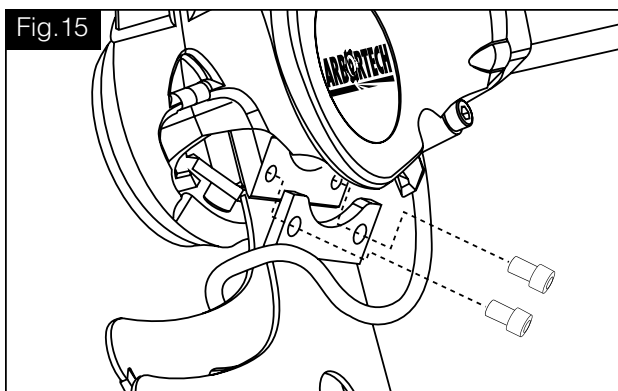
Zugriff auf diese Teile erfolgt durch Entfernen der 4 Schrauben an der rechtsseitigen Kunststoffabdeckung (siehe Abb. 15). Stellen Sie sicher, dass der Riemen die richtige Spannung hat und keine Schäden aufweist. Um nachzuspannen, lockern Sie die Schraube der Spannrolle, ohne die Schraube zu entfernen (lediglich eine Umdrehung). Führen Sie die Spannrolle nach außen, um die Spannung auf den in den Allgemeinen Spezifikationen im Abschnitt 3 vorgegebenen Wert zu erhöhen, und ziehen Sie sie wieder fest. Falls der Riemen ausgewechselt werden muss, lockern Sie die Spannrolle, wechseln Sie den Riemen aus, und ziehen Sie die Spannrolle wie vorgegeben wieder fest.



Übermäßiges Rutschen kann zu einer Abnutzung der Scheiben führen, so dass diese ausgewechselt werden müssen. Eine abgenutzte Scheibe erkennt man daran, dass die Fuge nicht mehr ihre gut ausgebildete „V“-Form aufweist und nur noch rund oder flach ist. Um Scheiben auszuwechseln, kontaktieren Sie bitte Ihr autorisiertes Servicecenter.

## 7.3 SCHRAUBEN UND GEWINDE AM KLINGENAUFSATZ

Die Kopfschrauben des Blattes sollten regelmäßig auf das richtige Drehmoment überprüft werden (18Nm). Bei jedem Klingenwechsel sollten die Schrauben und Pleuelgewinde auf Verschleiß oder Verschmutzung geprüft werden. Im Zweifelsfall sollten die Schrauben ausgewechselt werden, da eine fortgesetzte Benutzung zu Schäden an den Klingenaufsätzen führen kann. Verwenden Sie nur die richtigen vorgegebenen (originalen) Ersatzteile und schmieren Sie weder Schrauben, noch Gewinde (noch) und Pleuelkontaktflächen ein.



**VORSICHT:** Achten Sie darauf, dass das Werkzeug NICHT mit losen Klingen benutzt wird. Falls sich die Klingen während des Betriebs lockern, kann dies zu Schäden an den Klingenaufsätzen und Gewinden mit erheblichem Reparaturaufwand führen.

## 7.4 Zahnschärfe

Durch Betrieb stumpfen die Klingen ab und die Schneidleistung verschlechtert sich. Dies

kann grö tenteils durch Nachschärfen der Zähne behoben werden. Zum Nachschärfen der Zähne verwenden Sie die Arbortech Diamant Schleifscheibe (BLA.FG.SHARP001). Beim Schneiden von sehr harten Materialien oder beim Aufschlagen der Zähne in einem ungünstigem Winkel, können Zähne brechen oder Teile abplatzen. Die Klingen können weiter verwendet werden, allerdings verschlechtert sich die Schneideleistung.

Bei einer Blaufärbung der Klingenumgebung laufen die Klingen zu hei . Dies ist normalerweise eine Folge von, abgenutzten Zähnen, kann aber auch aufgrund zu hoher Kraftaufwendung, unzureichender hin und her Führung (Sägebewegung) des Werkzeuges seitens des Bedieners oder zu harten Materials auftreten.

**WICHTIG:** Zähne müssen scharf gehalten werden, um optimale Schneideleistung zu gewährleisten und Motorüberlastung zu vermeiden.

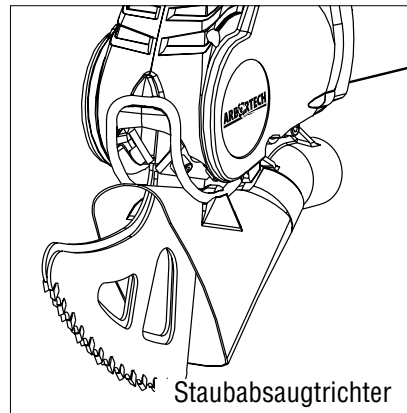
## 8. ZUBEHÖR

### 8.1 STAUBABSAUGUNG

Die AS170 sollte mit einem Staubabsaugtrichter ausgestattet sein, der bei richtiger Anwendung eine erhebliche Reduzierung von herumfliegendem und schwerem Staub gewährleistet. Er besteht aus einem Anschlussstück, das an (die) der? Unterseite des Aluminiumgehäuses angebracht wird, und einem einstellbaren Absaugtrichter, der bei Verschleiß ausgetauscht werden kann. Der Staubabsaug-Aufsatz verfügt über ein Standarddurchmesser von 30mm.

**HINWEIS:** Die Nichtanwendung des Staubabsaugtrichters beim Schneiden von Mauerwerk führt zu übermäßiger Abnutzung der elektrischen Teile. Vom Staub verursachte Schäden führen zu vorzeitigen Motorproblemen, und haben auch Auswirkungen auf die Gewährleistungshaftung.

**VORSICHT:** Stellen Sie sicher, dass das verwendete Vakuumgerät über ein geeignetes Filtersystem für das Schneidmaterial verfügt. Nicht ordnungsgemäße Filtrierung kann zu ungenügender Staubkontrolle führen und möglicherweise Schäden am Vakuumgerät verursachen.



## 9. TECHNISCHE DATEN

BEGRIFF	SPEZIFIKATION
Schneidetiefe/ -breite	120mm (4 3/4")/6.5mm (1/4"), (depending on blade/material)
Gewicht, einschl. Klingen	4.3kg
Abmessungen, ohne Klingen	450 mm (17 7/8") L 75 mm (3") W 240 mm (9 1/2") H
Geschwindigkeit ohne Belastung $n_0$	5100 rpm
Stromspannung, nominal	230-240 VAC, 50Hz, 1250W (Australien) 230 VAC, 50 Hz (Europa) 110 - 120 VAC, 50-60 Hz (USA/CANADA/UK industriell)
Anschluss für Vakuumschlauch zum Staubabsaugen	25mm (1"), 32mm (1 1/4"), 37mm (1 3/8")
Riemenspannung	1 mm max. mittlere Ablenkung mit 25 N (2,5 kg) Ablenkkraft
Blattaufsatz-Schraub-drehmoment	18 N-m (1,8 kg-m), nicht geschmiert

TECHNISCHE DATEN	
Vibrationen	7.7 m/s <sup>2</sup>
Geräuschpegel	92db

Die in dieser Anleitung angegebenen Vibrationswerte basieren auf Messungen in typischen Anwendungen. Die Vibrationswerte variieren in verschiedenen Anwendungsbereichen und sind abhängig von verwendeten Zubehör und dem Wartungszustand des Gerätes. Dies kann die Schwingungsbelastung über den gesamten Arbeitszeitraum deutlich erhöhen. Für eine genaue Abschätzung der Schwingungsbelastung sollten auch Zeiten berücksichtigt werden, in denen das Gerät abgeschaltet ist oder nicht direkt im Einsatz ist. Dies kann die Schwingungsbelastung über den gesamten Arbeitszeitraum deutlich reduzieren. Legen Sie zusätzliche Sicherheitsmaßnahmen zum Schutz des Bedieners fest wie z.B. Organisation der Arbeitsabläufe, Wartung des Werkzeugs und des Zubehörs, warmhalten der Hände, usw.

Die hier angegebenen Werte geben lediglich die Lautstärke, die von dem Werkzeug ausgeht. Ob beim Betrieb des Werkzeuges ein Gehörschutz vorgeschrieben ist, kann hier nicht angegeben werden, da dies abhängig davon ist, wieviel Lärm am Ohr des Bedieners ankommt. Selbst wenn nicht ausdrücklich vorgeschrieben, sollten Sie in Ihrem eigenen Interesse immer einen Gehörschutz tragen.



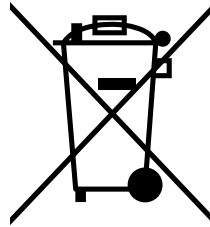
## 10. GEWÄHRLEISTUNG, REPARATUR- UND SERVICECENTER

Für Reparatur-, Inspektions-, Service- und Ersatzteile, wenden Sie sich bitte an Ihren Ort des Kaufs, oder besuchen Sie unsere Internetseite [www.arbortech.com.au](http://www.arbortech.com.au) um den nächstgelegenen Fachhändler oder Service Center ausfindig zu machen.

### Entsorgung

Elektrowerkzeuge, Zubehör und Verpackungen sollen einer umweltgerechten Wiederverwertung zugeführt werden.

Nur für EU-Länder: Werfen Sie Elektrowerkzeuge nicht in den Hausmüll! Gemäß der Europäischen Richtlinie 2002/96/EG über alte Elektro- und Elektronikgeräte und ihrer Umsetzung in nationales Recht müssen nicht mehr gebrauchsfähige Elektrowerkzeuge getrennt gesammelt und einer umweltgerechten Wiederverwertung zugeführt werden.



### Konformitätserklärung

Wir erklären in alleiniger Verantwortung, dass die AS170 Stein- und Fugensäge, wie in "Technischen Daten" beschrieben, mit den folgenden Normen oder normativen Dokumenten übereinstimmt: EN60745 gemäß der Maschinenrichtlinie 2006/42/EC

Technische Unterlagen bei:  
 Arbortech PTY LTD  
 67 Westchester Road  
 Malaga, WA 6090

Kevin Inkster  
 Chairman  
 Arbortech Pty Ltd

Arbortech PTY LTD  
 67 Westchester Road  
 Malaga, WA 6090

Sven Blinks  
 Commercial Director  
 Arbortech Pty Ltd

## 11. FEHLERBEHEBUNG

Diese Fehlerdiagnose richtet sich an Personen, die sich mit mechanischen Geräten auskennen. Sie liefert eine Grundanleitung zur Instandhaltung des Werkzeugs. Zur Behebung von Problemen, die vom Bediener durchgeführt werden können, dient der Abschnitt Wartung und Instandhaltung dieser Anweisung. Komplexere Reparaturen, wie unten aufgeführt, müssen von einem autorisierten Servicecenter, Reparatur- und Servicecenter durchgeführt werden.

LFD. NR.	SYMPTOM	PRÜFUNG/BEHEBUNG/BEHEBUNG
1	Motorüberhitzung	<ul style="list-style-type: none"> <li>• Sicherstellen, dass die Kühlungsschlitze nicht durch Bedienerhand, Griffmanschette, Schmutz oder sonst gesperrt sind. Notfalls entfernen oder reinigen.</li> <li>• Sicherstellen, dass die Klingen nicht mit übermäßiger Kraft aneinander reiben, weder an der Schneidkante noch im Bereich des Aufsatzes.</li> <li>• Klingen könnten abgenutzt sein und überhitzen.</li> <li>• Sicherstellen, dass die Riemen Spannung nicht zu hoch ist.</li> <li>• Sicherstellen, dass die Kugellager noch funktionieren. Hierzu entfernen Sie die Seitenabdeckung und Riemen und drehen einzeln an den beiden Scheiben. Achten Sie auf Rauheit. Das Antriebsrad sollte sich leicht und gleichmäßig drehen lassen. Die getriebene Riemenscheibe sollte sich gleichmäßig drehen, allerdings den Eindruck erwecken, dass sie in eine von zwei Stellungen springen möchte.</li> <li>• Sicherstellen, dass das Motorgehäuse fest mit dem Werkzeug verschraubt ist. Falls nicht, kontaktieren Sie sofort Reparatur- und Servicecenter.</li> </ul>
2	Lauter Betrieb / ungewöhnliche Vibrationen	<ul style="list-style-type: none"> <li>• Lose Klingen – Montageschrauben am Aufsatz festziehen</li> <li>• Klingen nicht mehr benutzbar – Klingenpaar austauschen</li> <li>• Blattfeder defekt – Reparatur- und Servicecenter kontaktieren</li> <li>• Kugellager defekt – Reparatur- und Servicecenter kontaktieren</li> <li>• Getriebe defekt – Reparatur- und Servicecenter kontaktieren</li> <li>• Obere® Griffbuchsen locker oder beschädigt - austauschen</li> </ul>
3	Obere® Griffbuchsen locker oder beschädigt	<ul style="list-style-type: none"> <li>• austauschen</li> </ul>
4	Eine oder beide Pleuel/Klingen sind trotz Befestigung der Montageschrauben locker	<ul style="list-style-type: none"> <li>• Blattfeder defekt – Reparatur- und Servicecenter kontaktieren.</li> </ul>
5	Motor läuft aber Klingen bewegen sich nicht	<ul style="list-style-type: none"> <li>• Riemen locker – notfalls nachspannen</li> <li>• Riemen abgenutzt - auswechseln.</li> </ul>
7	Klingen lockern sich wiederholt	<ul style="list-style-type: none"> <li>• Prüfen ob Löcher für Klingenschrauben oval sind - falls ja müssen die Klingen ausgetauscht werden.</li> </ul>
8	Riemenscheibe abgenutzt	<ul style="list-style-type: none"> <li>• Servicecenter kontaktieren</li> </ul>
9	Langsame Schneidleistung	<ul style="list-style-type: none"> <li>• Abgenutzte, abgeplatzte oder fehlende Zähne – schleifen oder Klingen auswechseln.</li> <li>• Riemen rutscht – vgl. lfd. Nr. 4</li> </ul>
10	Klingen reiben mit übermäßiger Kraft aneinander.	<ul style="list-style-type: none"> <li>• Schneidmaterial ist zu hart.</li> </ul>
11	Klingen reiben mit übermäßiger Kraft aneinander.	<ul style="list-style-type: none"> <li>• Klingen abmontieren und leicht verbiegen.</li> </ul>

LFD. NR.	SYMPTOM	PRÜFUNG/BEHEBUNG/BEHEBUNG
12	Abplatzende oder abbrechende Zähne.	<ul style="list-style-type: none"> <li>• Kann bei hartem Material passieren oder beim Schlag auf die Kehrseite der Zähne.</li> <li>• Ungenügende Sorgfalt beim Herabsetzen des Geräts auf harte Oberflächen der lose Aufbewahrung im Werkzeugkasten.</li> <li>• Abgenutzte Klingen können überhitzen was das Herauslösen von einzelnen Zähnen verursachen kann - Klingen austauschen.</li> <li>• Zu hartes Schneidmaterial.</li> </ul>
13	Oberer Griff locker.	<ul style="list-style-type: none"> <li>• Gummibuchsen sind beschädigt oder abgenutzt – erneuern.</li> </ul>
14	Blaufärbung der Klingen.	<ul style="list-style-type: none"> <li>• Zähne abgenutzt – Klingen erneuern.</li> <li>• Anwendung von übermäßiger Kraft.</li> <li>• Ungenügende „Säge“-Bewegung durch den Bediener.</li> <li>• Zu hartes Material.</li> </ul> <p>Klingen reiben mit übermäßiger Kraft aneinander (vgl. lfd. Nr. 8).</p>
15	Montageschrauben am Klingenaufsatz lassen sich nicht richtig fest ziehen.	<ul style="list-style-type: none"> <li>• Schraubengewinde beschädigt - Schrauben tauschen.</li> </ul>
16	Gewinde am Werkzeug beschädigt	<ul style="list-style-type: none"> <li>• Arbortech Sevicewerkstatt kontaktieren.</li> </ul>
17	Gerät läuft nicht.	<ul style="list-style-type: none"> <li>• Die AS170 ist mit “pop off” Bürsten ausgestattet welche den Motor automatisch abschalten bevor die Bürsten verschlissen sind.</li> <li>• Arbortech Service Werkstatt kontaktieren um Bürsten zu prüfen und ggfs. zu tauschen.</li> </ul>





## MANUAL DE INSTRUCCIONES

Por favor, lea atentamente este manual para asegurar el funcionamiento correcto y el cuidado adecuado de la herramienta. Si utiliza correctamente la AS170 le proporcionará muchos años de servicio confiable que le ahorrará tiempo y dinero.



*Todo viene con doble aislamiento, no está provisto con conexión a tierra*



## TABLA DE CONTENIDO

PÁGINA

1. INTRODUCCION	2
2. REGLAS GENERALES DE SEGURIDAD	2
3. REGLAS ESPECIFICAS DE SEFURIDAD	3-4
4. DESCRIPCION OPERACIONAL	7
4.1 DESCRIPCION DE LA HERRAMIENTA	7
4.2 Descripción de la cuchilla	7
5. MONTAJE	5-6
6. FUNCIONAMIENTO	7
6.1 Preparación	7
6.2 Funcionamineto	8-9
7. MANTENIMIENTO	9
7.1 Motor	10
7.2 Correa en Vy poleas	10-11
7.3 Pernos y Roscas del Montaje de Cuchilla	11
7.4 Empuñadura superior y bujes de goma	11
8. ACCESORIOS	11
8.1 Extracción de polvo	11
9. ESPECIFICACIONES	12
10. SOLUCION DE PROBLEMAS	13
11. GARANTIA Y SERVICIO	14-15

Por favor lea bien las instrucciones antes de usar por primera vez su Sierra para Ladrillo+Argamasa AS170.

# 1. INTRODUCCIÓN

La Arbortech AS170 ha sido diseñada y fabricada en Australia, utilizando exclusivamente componentes y procesos de fabricación de máxima calidad.

La acción cortante orbital - exclusiva y patentada - de dos cuchillas oscilantes permite el corte de ladrillo, argamasa y mampostería más rápido que las sierras oscilantes tradicionales.

Esta acción cortante a la vez genera un mínimo de polvo aéreo, lo que a la vez produce una faena segura y controlable, capaz de cortar hasta una profundidad de 120mm (5”), esquinas cuadradas, y cortes de anchos variables. La AS170 es ideal para una variedad de tareas, incluyendo:

- Sacar argamasa para reparar los huecos entre ladrillos.
- Sacar ladrillos individuales en muros.
- Corte de ladrillos sin dañar las piezas circundantes y sin rotura, Calce o machihembrado de muros de ladrillo cincelado de canales para tender conducciones, etc. en muros
- Corte de agujeros en muros u otras superficies
- Finalizados de cortes de esquinas en muros
- Corte en madera sucia.
- Corte de madera en el suelo.
- Corte de raíces de árboles
- Poda de árboles.

**La herramienta puede equiparse con una serie de cuchillas idóneas para diferentes aplicaciones.**

## **Definiciones: Normas de Seguridad**

Las siguientes definiciones describen el nivel de seriedad de cada palabra-señal. Lea el manual y preste atención a estos símbolos.

⚠ **PELIGRO:** indica una situación de peligro inminente, que si no se evita, provocará la muerte o lesiones graves.

⚠ **ADVERTENCIA:** indica una situación de posible peligro que, si no se evita, podría provocar la muerte o lesiones graves.

⚠ **PRECAUCIÓN:** indica una situación de posible peligro que, si no se evita, puede provocar lesiones leves moderadas.

**PRECAUCIÓN:** si se usa sin el símbolo de alerta de seguridad indica una situación de posible peligro que, si no se evita, puede provocar daños a la propiedad.

⚠ Indica riesgo de descarga eléctrica.

⚠ **IMPORTANTE:** EL MANEJO INCORRECTO DE LA AS170 PODRÍA CAUSAR EL DESGASTE PREMATURO Y/O DAÑOS. POR FAVOR, LEA ESTE MANUAL DE USUARIO ATENTAMENTE ANTES DE SU UTILIZACIÓN, PARA ASEGURAR SU CORRECTO FUNCIONAMIENTO.

## 2. NORMAS DE SEGURIDAD

⚠ **ADVERTENCIA! LEA TODAS LAS INSTRUCCIONES.** Fracasarse en el seguimiento de las reglas que se citan a continuación puede dar lugar a descargas eléctricas, fuego o importantes lesiones. el término "power tool" en todas las advertencias que aparecen a continuación, hacen referencia a la principal función del cable o la batería de la herramienta.

CONSERVE ESTAS INSTRUCCIONES

### 1) **SEGURIDAD EN EL ÁREA DE TRABAJO**

a) **Mantenga el área de trabajo limpia y bien iluminada. Las áreas abarrotadas y oscuras propician accidentes.**

b) **No opere las herramientas eléctricas en atmósferas explosivas, como ambientes donde haya polvo, gases o líquidos inflamables. Las herramientas eléctricas originan chispas que pueden encender el polvo o los vapores.**

c) **Mantenga alejados a los niños y a los espectadores de la herramienta eléctrica en funcionamiento. Las distracciones pueden provocar la pérdida de control.**

### 2) **SEGURIDAD ELÉCTRICA**

a) **Los enchufes de la herramienta eléctrica deben adaptarse al tomacorriente. Nunca modifique el enchufe de ninguna manera. No utilice ningún enchufe adaptador con herramientas eléctricas con conexión a tierra. Los enchufes no modificados y que se adaptan a los tomacorrientes reducirán el riesgo de descarga eléctrica.**

b) **Evite el contacto corporal con superficies con toma de tierra como, por ejemplo, tuberías, radiadores, hornillos y refrigeradores. Existe mayor riesgo de descarga eléctrica si su cuerpo está puesto a tierra.**

c) **No exponga las herramientas eléctricas ni a la lluvia ni a condiciones de humedad. Si entra**

**agua a una herramienta eléctrica, aumentará el riesgo de descarga eléctrica.**

**d) No use el cable indebidamente. Nunca utilice el cable para transportar, tirar o desenchufar la herramienta eléctrica. Mantenga el cable alejado del calor, el aceite, los bordes afilados o las piezas móviles. Los cables dañados o enredados aumentan el riesgo de descarga eléctrica.**

**e) Al operar una herramienta eléctrica en el exterior, utilice un cable prolongador adecuado para tal uso. Utilice un cable adecuado para uso en exteriores a fin de reducir el riesgo de descarga eléctrica.**

**f) Si fuese imprescindible utilizar la herramienta eléctrica en un entorno húmedo, es necesario conectarla a través de un fusible diferencial. La aplicación de un fusible diferencial reduce el riesgo a exponerse a una descarga eléctrica.**

### **3) SEGURIDAD PERSONAL**

**a) Permanezca alerta, controle lo que está haciendo y utilice el sentido común cuando emplee una herramienta eléctrica. No utilice una herramienta eléctrica si está cansado o bajo el efecto de drogas, alcohol o medicamentos. Un momento de descuido mientras se opera una herramienta eléctrica puede provocar daños personales graves.**

**b) Use equipo de seguridad. Utilice siempre protección ocular. El uso de equipo de seguridad, como máscaras para polvo, calzado de seguridad antideslizante, cascos o protección auditiva en las condiciones adecuadas reducirá las lesiones personales.**

**c) Evite una puesta en marcha fortuita. Asegurarse de que la herramienta eléctrica esté desconectada antes de conectarla a la toma de corriente y/o al montar el acumulador, al recogerla, y al transportarla. Si transporta la herramienta eléctrica sujetándola por el interruptor de conexión/desconexión, o si introduce el enchufe en la toma de corriente con la herramienta eléctrica conectada, ello puede dar lugar a un accidente.**

**d) Retire la clavija de ajuste o la llave de tuercas antes de encender la herramienta eléctrica. Una llave de tuercas o una clavija de ajuste que quede conectada a una pieza giratoria de la herramienta eléctrica puede provocar lesiones personales.**

**e) No se estire demasiado. Conserve el equilibrio y posicione adecuadamente en todo momento.**

**Esto permite un mejor control de la herramienta eléctrica en situaciones inesperadas.**

**f) Use la vestimenta adecuada. No use ropas holgadas ni joyas. Mantenga el cabello, la ropa y los guantes alejados de las piezas en movimiento. Las ropas holgadas, las joyas o el cabello largo pueden quedar atrapados en las piezas en movimiento.**

**g) Si se suministran dispositivos para la conexión de accesorios con fines de recolección y extracción de polvo, asegúrese de que estén conectados y que se utilicen correctamente. El uso de estos dispositivos puede reducir los peligros relacionados con el polvo.**

### **4) USO Y MANTENIMIENTO DE LA HERRAMIENTA ELÉCTRICA**

**a) No fuerce la herramienta eléctrica. Utilice la herramienta eléctrica correcta para el trabajo que realizará. La herramienta eléctrica correcta hará el trabajo de un modo mejor y más seguro a la potencia para la que fue diseñada.**

**b) No utilice la herramienta eléctrica si no puede encenderla o apagarla con el interruptor. Toda herramienta que no puede ser controlada mediante el interruptor es peligrosa y debe repararse.**

**c) Desconecte el enchufe de la fuente de energía antes de realizar ajustes, cambiar accesorios o guardar las herramientas eléctricas. Estas medidas de seguridad preventivas reducen el riesgo de encender la herramienta eléctrica de forma accidental.**

**d) Guarde la herramienta eléctrica que no esté en uso fuera del alcance de los niños y no permita que otras personas no familiarizadas con ella o con estas instrucciones operen la herramienta. Las herramientas eléctricas son peligrosas si son operadas por usuarios que no tienen formación.**

**e) Mantenimiento de las herramientas eléctricas. Revise que no haya piezas en movimiento mal alineadas o trabadas, piezas rotas o cualquier otra situación que pueda afectar el funcionamiento de las herramientas eléctricas. Si encuentra daños, haga reparar la herramienta eléctrica antes de utilizarla. Se producen muchos accidentes a causa de las herramientas eléctricas que carecen de un mantenimiento adecuado.**

**f) Mantenga las herramientas de corte afiladas**

y limpias. Las herramientas de corte con mantenimiento adecuado y con los bordes de corte afilados son menos propensas a trabarse y son más fáciles de controlar.

g) **Utilice la herramienta eléctrica, los accesorios y las brocas de la herramienta, etc. de acuerdo con estas instrucciones y de la forma prevista para el tipo de herramienta eléctrica en particular, teniendo en cuenta las condiciones de trabajo y el trabajo que debe realizarse. El uso de la herramienta eléctrica para operaciones diferentes de aquellas para las que fue diseñada podría originar una situación peligrosa.**

## 5) MANTENIMIENTO

a) **Solicite a una persona calificada en reparaciones que realice el mantenimiento de su herramienta eléctrica y que sólo utilice piezas de repuesto idénticas. Esto garantizará la seguridad de la herramienta eléctrica.**

**NOTA: Consulte ensamblaje (sección 5) para ver una lista de los repuestos reemplazables por el usuario.**

## 3. NORMAS ESPECIFICAS DE SEGURIDAD

1. **Sujete la herramienta por la superficie aislada de la empuñadura al realizar operaciones donde la herramienta cortante puede hacer contacto con cable ocultos o con su propio cordón. El contacto con un cable con corriente hará que las partes metálicas de la herramienta se conecten a esa corriente y produzcan una descarga en el operador.**

2. **Retire las herramientas de ajuste como las llaves Allen, llave lan y llave inglesa antes de hacer funcionar la herramienta.**

3. **No haga funcionar la herramienta con ningún accesorio que no esté recomendado en este manual de instrucción.**

4. **Use la herramienta solamente con el voltaje especificado en la etiqueta de la herramienta.**

5. Nunca arranque la herramienta cargada. Siempre arranque la herramienta antes de hacer contacto con la pieza que va a trabajar.

6. Nunca arranque o trabaje la herramienta con dedos u otros objetos a través de los agujeros de las cuchillas.

7. **Tenga mucho cuidado al tomar cuchillas**

**durante y después de su uso. Las cuchillas como también algunas partes de la herramienta se calientan con el uso.**

8. Siempre asegúrese de que no hayan peligros en la parte que va a cortar, como cables eléctricos, cañerías o materiales aislantes.

9. **Considere períodos de descanso para minimizar el efecto vibratorio en la herramienta. Use guantes industriales para minimizar el efecto vibratorio en el cuerpo.**

10. **Asegúrese de que el equipo extractor de polvo esté conectado y que se use correctamente.**

11. Mantenga las manillas secas, limpias y sin grasa o aceite.

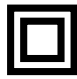
12. **Si el protector o cualquier otra parte tiene señales de daño, debe ser chequeada cuidadosamente para asegurarse de que va a funcionar bien y que podrá hacer el trabajo esperado.**

13. El uso de cualquier accesorio o dispositivos no recomendado en este manual de instrucción puede presentar riesgo de lesión personal.

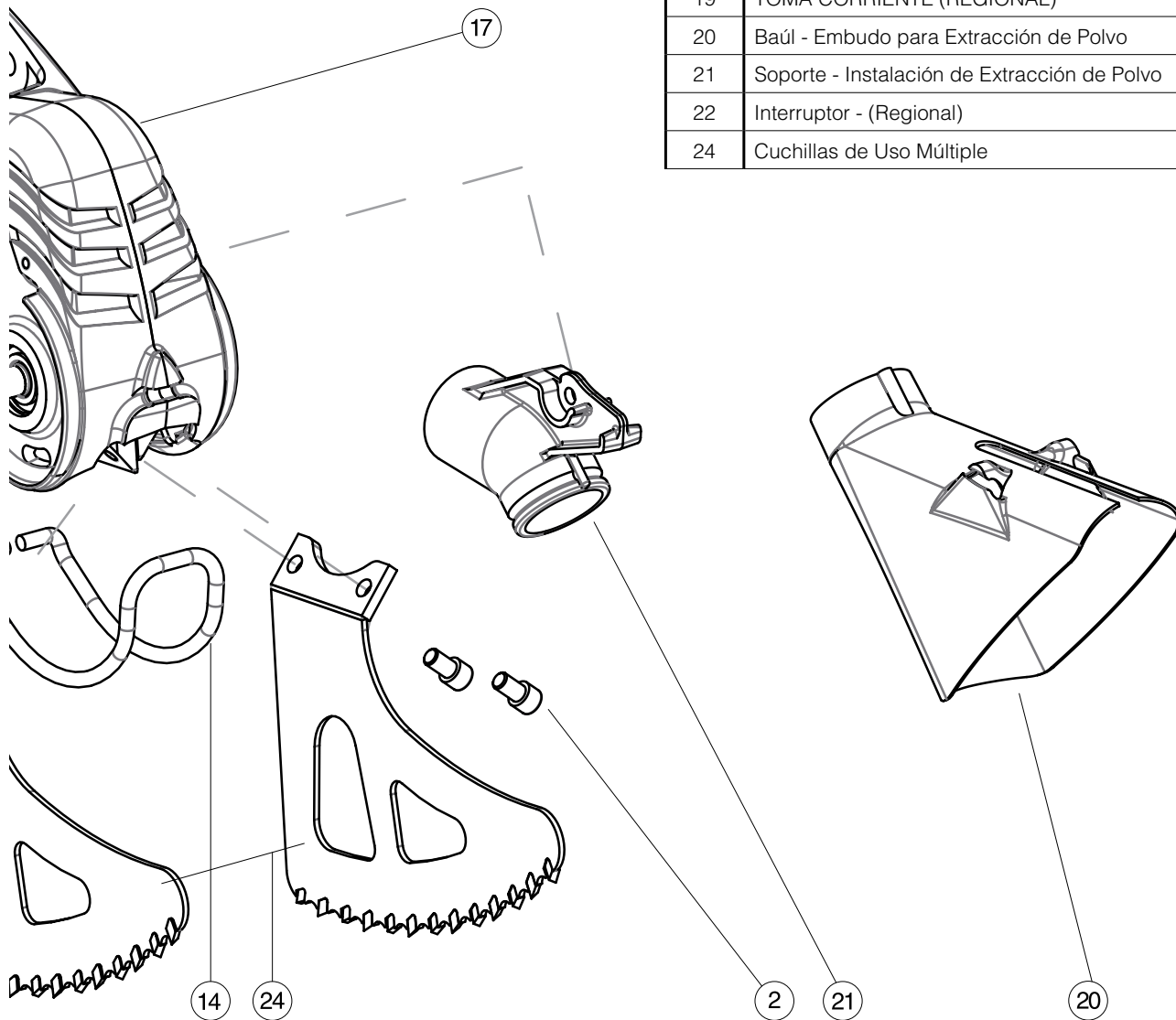
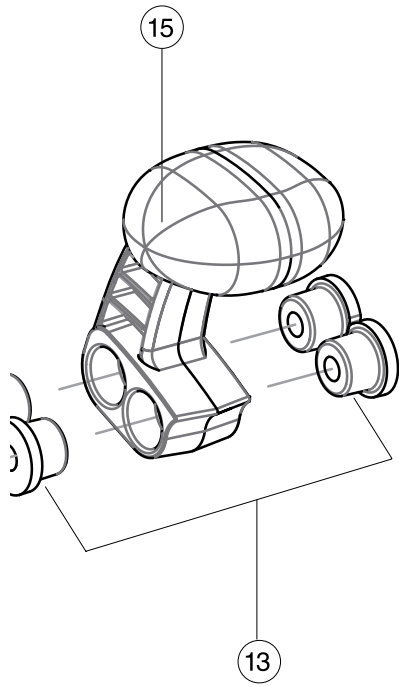
14. No fuerce la herramienta. Está diseñada para funcionar con fuerza moderada. Al sobregargar la herramienta, el sistema propulsor y el motor se pueden sobrecalentar.

15. Siempre maneje la herramienta sujetándola con ambas manos.

SÍMBOLOS Lo siguiente muestra los símbolos que se usan en este manual

	Clase 2 Construcción (Se usa doble aislamiento en todo, no viene provisto con conexión a tierra)
VAC	corriente alterna voltios
A	amperes
Hz	hertz
W	vatio
N <sub>0</sub>	velocidad sin carga
rpm	revoluciones por minuto
dB	decibeles
Nm	metros newton
m	metros
m/s	metros por segundo





1	Tornillo - Cubierta de Correa, M4 X 12	4
2	Tornillo - Cuchilla, M6 X 10	4
3	Cepillo - Cubierta	2
4	Arandela -	1
5	Tuerca - Nyloc M6	1
6	Cepillo - Carbono	2
7	Abrazadera- Interno	2
8	Clavija	2
9	Polea - Tensión incluyendo Rodamiento - 696	1
10	Polea - Poder	1
11	Polea - Impulso	1
12	Correa	1
13	Buje	4
14	Protector	1
15	Empuñadura - Superior	1
16	Cubierta - Correa	1
17	Alojamiento	1
18	Motor - (Regional)	1
19	TOMA CORRIENTE (REGIONAL)	1
20	Baúl - Embudo para Extracción de Polvo	1
21	Soporte - Instalación de Extracción de Polvo	1
22	Interruptor - (Regional)	1
24	Cuchillas de Uso Múltiple	1

SÍMBOLOS Lo siguiente muestra los símbolos que se usan en este manual	
mm	milímetros
kg-m	kilógramos metro
ft-lb	libras pié

## 4. DESCRIPCIÓN FUNCIONAL

### 4.1 AS170 DESCRIPCIÓN DE LA HERRAMIENTA

La AS170 está diseñada para cortar 0 materiales rígidos, como argamasa, ladrillos de arcilla, placas de yeso, placas de fibras, tablas de chilla y madera. La AS170 utiliza una serie de cuchillas diferentes, según el material a cortar. Las cuchillas también pueden intercambiarse de acuerdo a la profundidad o longitud de corte necesaria.

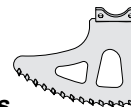
Las cuchillas son accionadas por bielas y por un árbol de levas en base a correas. La correa-V está diseñada para tolerar un poco de soltura en caso de que las cuchillas se traben. SE DEBE CHEQUEAR LA TENSIÓN DE LA CORREA DESPUÉS DE LAS PRIMERAS 5 HORAS DE USO. Se ajusta fácilmente sacando la cubierta plástica y se tensa con la polea inactiva ajustable (ver sección 11.3) Las cuchillas se conectan a las bielas con tornillos de cabeza Allen muy resistentes.

Se suministra con una cubierta metálica cambiante suministrada que limita la profundidad máxima de corte y evita que el portacuchillas dañe la superficie de los materiales a cortar. Las sacudidas y vibraciones que recibe el operario se reducen gracias a una empuñadura superior forrada de goma. Además, la empuñadura superior está diseñada de forma que está garantizado un manejo cómodo en las diferentes direcciones de corte. Los casquillos de goma en la empuñadura superior pueden cambiarse en caso de desgaste o daños.

### 4.2 DESCRIPCIÓN DE LAS CUCHILLAS

La AS170 utiliza una serie de cuchillas para cortar diferentes materiales y perfiles.

**Las cuchillas de Uso Múltiple tienen dientes de Carburo Tungsteno y se usan para trabajo de mampostería en general y para cortes “en el suelo”. Estas cuchillas están diseñadas para cortar hasta una profundidad de 115mm (4 1/2”).**



**Las cuchillas Émbolo para argamasa tienen dientes de Carburo Tungsteno y cortan hasta una profundidad máxima de 120mm (5”). Esta cuchillas pueden cortar ranuras de hasta 75mm (3”) de largo.**



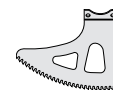
**Las cuchillas para Conmutadores tienen dientes de carburo tungsteno y ofrecen una profundidad máxima de corte de 120mm (5”). Indicadas para la instalación de conmutadores pequeños en paredes de yeso, ladrillo/ mampostería.**



**Las cuchillas para argamasa se emplean para sacar la argamasa de entre los ladrillos en los trabajos de restauración y limpieza de juntas. Profundidad máxima de corte es 35mm (1 3/8”).**



**Cuchillas para madera Las cuchillas para madera se usan para cortar madera limpia hasta una profundidad de 110mm (4 1/2”).**



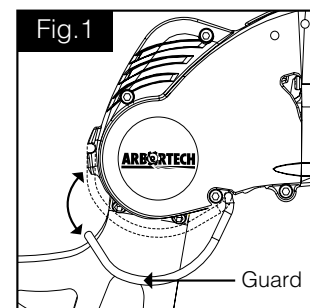
**NOTA: Todas las cuchillas pueden reafilarse si el desgaste no es excesivo.**

## 6. FUNCIONAMIENTO

### 6.1 Montaje

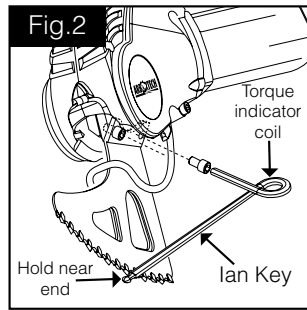
La AS 170 se suministra lista para trabajar. Sin embargo, en algunos casos es posible que se tenga que cambiar las cuchillas de acuerdo a la aplicación.

Antes de cambiar las cuchillas, el protector del soporte de la cuchilla debe palanquearse suavemente para sacarlo de su ranura al frente de la herramienta y scarlo virándolo para poder acceder a los tornillos de cabeza allen.(véase la Fig. 1).





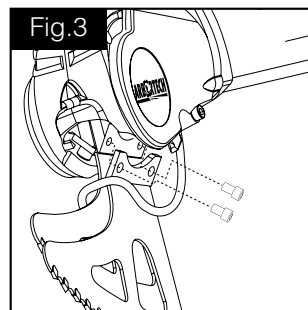
Use la "llave lan" que se suministra para soltar y sacar los tornillos Allen que aseguran las cuchillas; después saque las cuchillas como se muestra en la Figura 2.



Seleccione las cuchillas adecuadas para el material a cortar y móntelas junto con sus tornillos de cabeza Allen. Compruebe que la superficie de los portacuchillas, la rosca de la biela y los tornillos estén limpios y sin lubricantes, antes de instalarlas. Asegúrese de que el protector pueda cerrarse antes de fijar las cuchillas a la biela. (véase la Fig. 2).

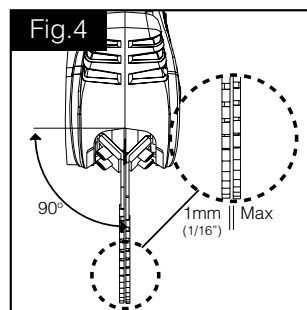
**NOTA:** Siempre use parejas de cuchillas que correspondan. Nunca use cuchillas usadas junto con nuevas. Use sólo los tornillos suministrados con la herramienta.

Use la llave lan (ver Fig. 2) para ajustar los tornillos del soporte de la cuchilla hasta que el carrete indicador del par de torsión se desvíe lo suficiente de tal forma que los lados se juntan. La "llave lan" ajustará los pernos hasta los necesarios 18Nm (11.5 libras por pie)



**NOTA:** Las cuchillas son piezas que se desgastan. Bajo funcionamiento normal, la vida de la cuchilla puede variar de acuerdo a la dureza del material que se corta.

**PRECAUCIÓN:** No haga funcionar la herramienta si las cuchillas están sueltas. Al funcionar con cuchillas sueltas dañará seriamente el soporte y los pernos de la cuchilla y tendrán que ser reparados. Compruebe que los dientes estén ligeramente en contacto o a una distancia aproximada de 1 mm . (Fig. 4).



desmontarse y curvarse suavemente hacia dentro para ajustar la apertura. Compruebe que ambas cuchillas estén alineadas verticalmente con la herramienta (Fig. 4).

**PRECAUCIÓN:** Si las las cuchillas hacen contacto entre sí a cualquier distancia que no sea dentro de 25 mm/1" de la superficie a cortar, o si la fuerza de contacto es alta, puede producirse una sobrecarga de la herramienta y desgaste prematuro de la correa.

Gire el protector hasta la ranura al frente de la herramienta y apriételo hasta que haga clic (véase la Fig. 1).

## 6.2 Funcionamiento

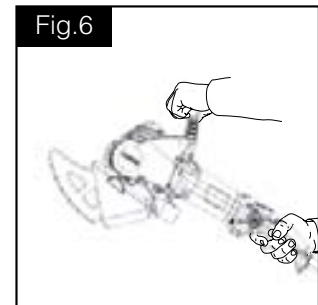
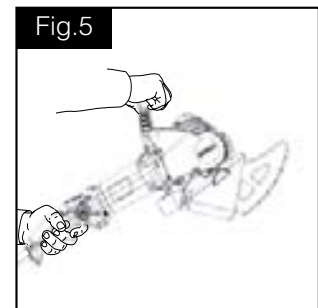
**Δ NOTA:** Durante su funcionamiento la AS170 puede generar vibración en la mano y brazo, lo que puede resultar en cansancio e incomodidad después de períodos largos de uso continuo. La vibración aumentará según la dureza del material.

No maneje la herramienta si es muy incómodo hacerlo y asegúrese de tomar suficientes períodos de descanso durante el corte. Para mayor información, comuníquese con el fabricante.

Antes de manejar la herramienta , por favor asegúrese de haber consultado la sección de seguridad de este manual.

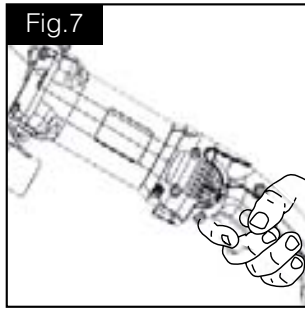
Use protección auditiva, para respirar, para los ojos y el cuerpo en la medida que sea apropiada.

Con las cuchillas aseguradas y el interruptor de la herramienta en la posición apagada (OFF), conecte el tomacorriente al enchufe eléctrico.



**PRECAUCIÓN:**

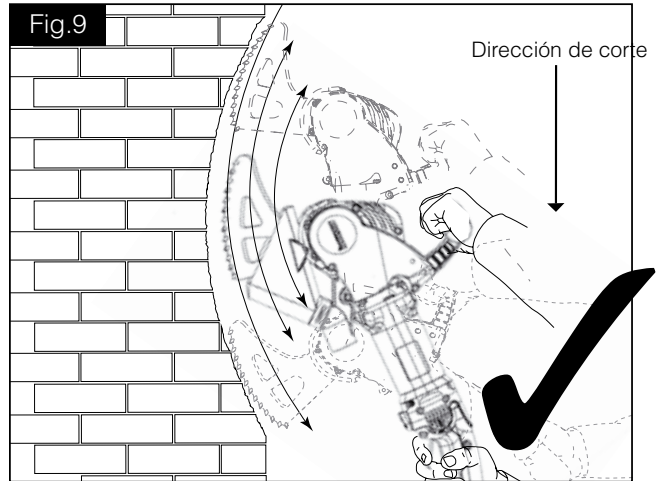
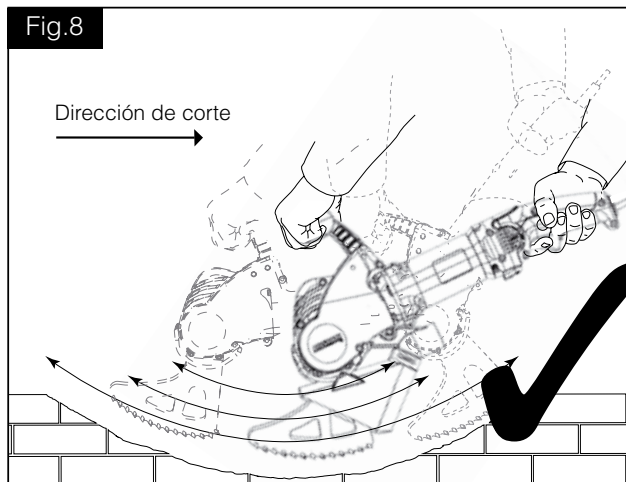
Compruebe que no estén obstruidas las ranuras de aire de ventilación y que no pueda entrar polvo ni suciedad por la parte trasera del motor, para que no se sobrecaliente. Cuando se trabaje en un entorno polvoriento se recomienda limpiar las ranuras de ventilación regularmente con aire comprimido (véase la Fig. 7).



Sujete la herramienta tanto por la empuñadura superior como por la caja del motor (Fig. 5 y 6).

Para empezar el corte, sujete la herramienta firmemente con ambas manos y aplique la parte central de la superficie del filo sobre el material. Tenga en cuenta que la dirección de corte va dirigida hacia la parte trasera de las cuchillas.

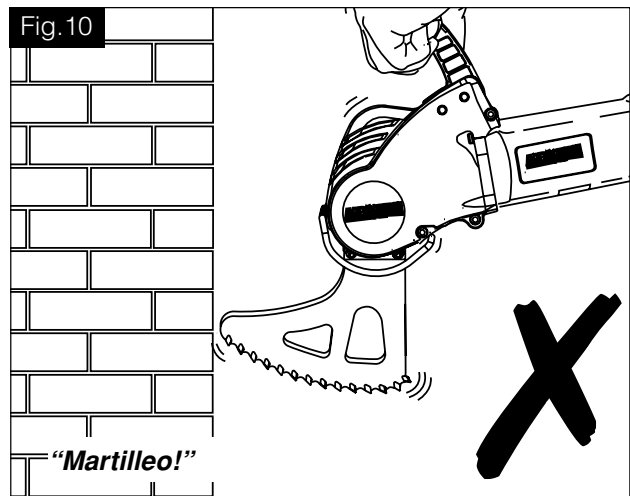
Durante el corte, guíe la herramienta y las cuchillas con un movimiento “de corte” lento, así mejorará el rendimiento del corte, minimiza la generación de calor y empareja el desgaste de las cuchillas (ver la Fig. 8 y 9).

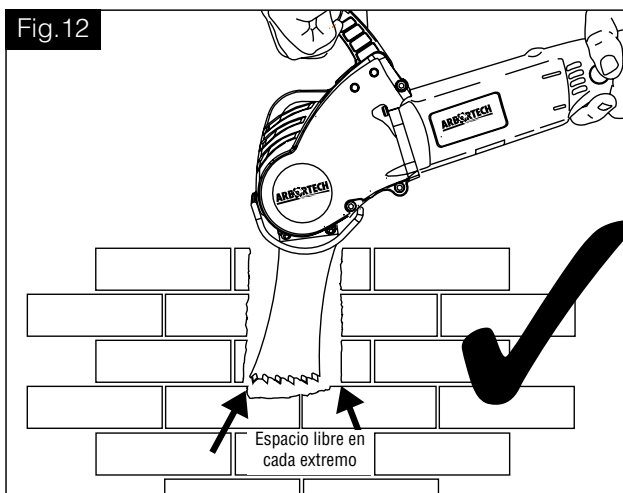
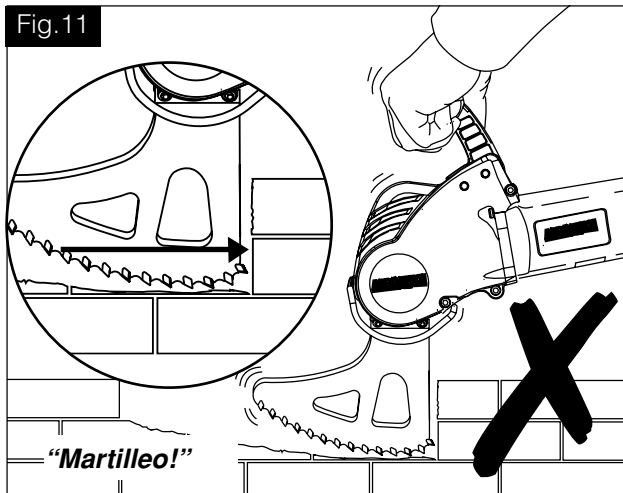


**PRECAUCIÓN:** La parte delantera y trasera de las cuchillas no deben martillar contra superficies duras (véanse las Fig. 10, 11 y 13) ya que dañarán las cuchillas y la herramienta. Si esto ocurre, desconecte la herramienta inmediatamente o extráigala del corte.

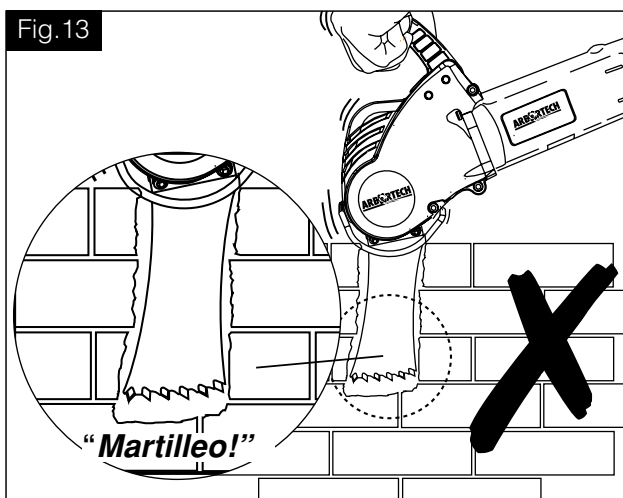
Cuando utilice cualquier tipo de cuchilla, guíe la herramienta lentamente adelante y atrás con movimientos uniformes, para evitar el martilleo de los extremos de las cuchillas en los extremos de corte. Para un rendimiento óptimo trate que los dientes sean la única parte de la cuchilla en contacto con el material que se trabaja.

**PRECAUCIÓN:** Al depositar la herramienta, tenga cuidado de que no se dañen los dientes de carburo de tungsteno.





Cuando se utilicen cuchillas Émbolo para Argamasa, el corte debe tener suficiente espacio libre en cada extremo (como se muestra en la Fig. 12) para evitar el martilleo de los extremos de la cuchilla (como se muestra en la Fig. 13).



## 7. MANTENIMIENTO

**⚠ ADVERTENCIA:** Para minimizar el riesgo de lesiones personales serias, apague la herramienta y desconéctela de la fuente eléctrica antes de hacer cualquier ajuste, o sacar o instalar accesorios o dispositivos. Antes de re-conectar la herramienta, oprima y suelte el interruptor gatillo para asegurarse de que la herramienta está apagada.

Para garantizar la CONFIABILIDAD y SEGURIDAD del producto, las reparaciones, mantenimiento y ajuste (incluyendo inspección y reemplazo de escobillas) deben ser realizados por un centro de servicio ARBORTECH autorizado. Siempre use repuestos idénticos al original.

### 7.1 Motor

#### Limpieza

**PRECAUCIÓN:** El soplar polvo y mugre del motor y del interruptor con aire comprimido limpio, es parte del mantenimiento regular y necesario. A menudo, polvo y partículas de suciedad se acumulan en las superficies internas y pueden causar fallas prematuras. El no limpiar regularmente la AS170 afectará la garantía de la herramienta.

**⚠ ADVERTENCIA:** SIEMPRE USE ANTEOJOS PROTECTORES al usar o limpiar esta herramienta. Precaución: nunca use solventes u otros productos químicos fuertes para limpiar las partes no-metálicas de la herramienta. Use solamente un paño seco y limpio.

#### Lubricación

Las herramientas ARBORTECH viene debidamente lubricadas de la fábrica y vienen listas para trabajar.

#### Accesorios

Para reducir el riesgo de lesiones, se deben usar solamente accesorios ARBORTECH con este producto. Accesorios recomendados para ser usados con esta herramienta están disponibles, con costo extra, en su concesionario local o en servicentros autorizados.

#### Reparaciones

Si necesita ayuda para encontrar cualquier accesorio, o herramientas en general, por favor diríjase a ARBORTECH: [www.arbortech.com.au](http://www.arbortech.com.au)

#### Escobillas

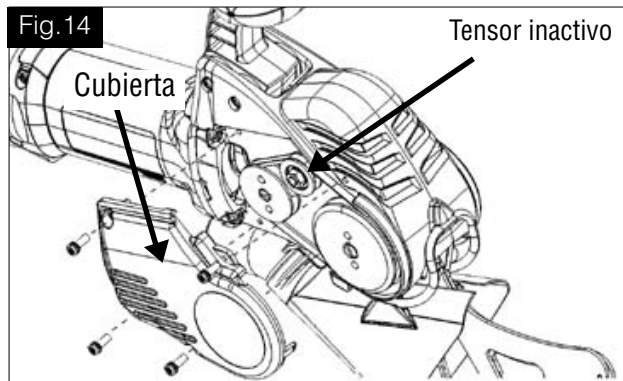
La AS170 tiene instalado en las escobillas un

dispositivo cortocircuito. Cuando las escobillas se gastan más abajo de un largo determinado, paran el funcionamiento de la herramienta minimizando daño interno en el motor. Comuníquese con su concesionario local o servicentro autorizado para repuestos de escobillas.

### 7.2 Correas en V y Poleas

**PRECAUCIÓN:** La Correa-V debe ser re-tensada después de las primeras 5 horas de uso. Esta herramienta viene con una correa de repuesto. La correa está diseñada para que actúe como fusible / embrague para proteger al producto en caso que las cuchillas se traben.

Para acceder a estos ítemes, saque los 4 tornillos que sujetan la cubierta plástica en el lado derecho de la herramienta (vea Fig. 15). Inspeccione la correa para asegurarse de que tenga la tensión correcta y por si hay señales de daño. Si requiere más tensión, suelte la tuerca tensora inactiva (sólo una vuelta). Deslice el tensor inactivo hacia afuera para aumentar la tensión hasta el grado anotado en las Especificaciones Generales en la Sección 3 y vuelva a apretarla. Si necesita reemplazar la correa, suelte el tensor inactivo, reemplace la correa y vuelva a tensar el inactivo como se especifica.

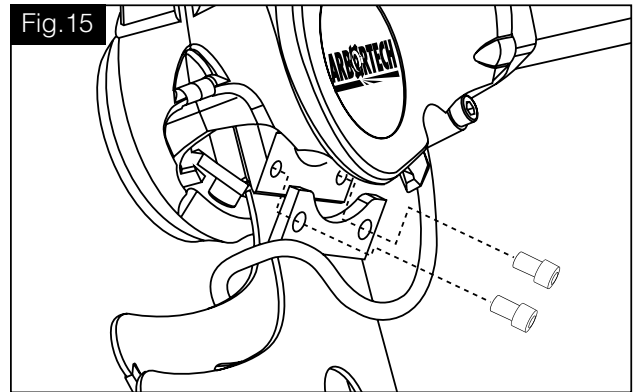


Si hay resbale excesivo, se pueden gastar las poleas. Una polea gastada se nota cuando la ranura ha perdido su bien definida forma de V, resultando una ranura redondeada o plana. Para reemplazar cualquiera de las poleas, póngase en contacto con su servicentro autorizado de ARBORTECH.

### 7.3 Tornillos y Roscas del Portacuchillas

El par de tensión (torque) de los tornillos Allen de la cuchilla (18Nm.) (13.2 ft lb) debe ser revisado regularmente. Cuando sea que se cambien las cuchillas, la rosca del perno y e la biela deben inspeccionarse para asegurarse de que no están gastados o tapados con residuos. Use solamente respuestos genuinos ARBORTECH y no lubrique

pernos ni roscas ni la superficie de unión de las bielas.



**PRECAUCIÓN:** NO MANEJA la herramienta con cuchillas flojas. Si las cuchillas se aflojan durante su funcionamiento, se pueden dañar los soportes de las cuchillas y las roscas, exigiendo reparaciones mayores.

### 7.4 Filo de los Dientes

Con el uso las cuchillas se ponen roma disminuyendo el rendimiento de corte. En gran medida esto se puede remediar afilando los dientes. Para re-afilar los dientes de la cuchilla, use el disco Afilador ARBORTECH (BLA.FG.SHARP001). A algunas veces, si se corta algún material muy duro, io los dientes impactan una superficie dura en ángulo inadecuado, los dientes se pueden saltar o quebrar. Las cuchillas todavía se podrán usar pero con un reducido rendimiento de corte.

Cuando la periferia de las cuchillas toman un color azulado indica que están demasiado calientes. Normalmente, esto es consecuencia de que los dientes están desgastados, o al uso de fuerza excesiva, o al movimiento insuficiente tipo "barrer" de parte del usuario o a que el material sea demasiado duro.

**IMPORTANTE:** Para garantizar un óptimo rendimiento y reducir carga al motor, las cuchillas deben mantenerse bien afiladas.

## 8. ACCESORIOS

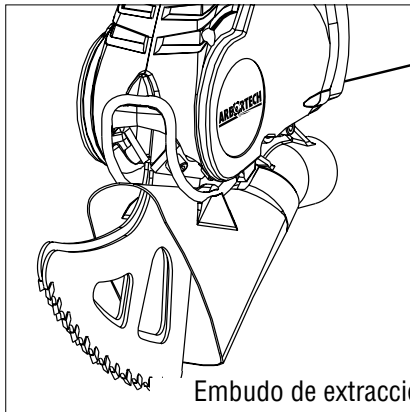
### 8.1 Extracción de polvo

La AS170 debe estar equipada con un embudo de extracción de polvo, que si se utiliza correctamente garantiza una reducción considerable del polvo en suspensión y pesado. Consiste de un accesorio que se coloca en la parte de abajo de la caja de aluminio y un embudo de extracción ajustable que puede ser reemplazado. El accesorio para polvo

tiene un diámetro standard de 30mm (1 3/16").

**NOTA:** Si no se utiliza el embudo de aspiración de polvo al cortar mampostería se producirá un desgaste excesivo de los componentes eléctricos. Daño causado por el polvo produce problemas prematuros en el motor, lo cual afecta también a la garantía.

**PRECAUCIÓN:** Compruebe que la aspiradora utilizada disponga de un sistema de filtro adecuado para el material a cortar. El filtrado incorrecto puede causar un control inadecuado del polvo y posiblemente daños en la aspiradora.



Embudo de extracción de polvo

## 9. ESPECIFICACIONES

ITEM	ESPECIFICACIÓN
Profundidad/ancho de corte	120mm (4 3/4")/6.5mm (1/4"), (depending on blade/material)
Peso, incluidas cuchillas	4.3kg (9.5lb)
Dimensiones, sin cuchillas	450 mm (17 7/8") L 75 mm (3") W 240 mm (9 1/2") H
Velocidad sin carga $n_0$	5100 rpm
Índice eléctrico, nominal	230-240 VAC, 50Hz, 1250W (Australia) 230 VAC, 50 Hz (Europe) 110 - 120 VAC, 50-60 Hz (USA/CANADA/UK Industrial)
Interfaz de la manguera aspiradora para extracción de polvo	25mm (1") , 32mm (1 1/4"), 37mm (1 3/8")

ITEM	ESPECIFICACIÓN
Tensión de la correa	1 mm (1/16") max. desviación máxima con 25 N (2'5 kg) fuerza de desviación
Par del perno del portacuchillas	18 Nm (1.8 kg-m), (13.2ft-lb), no-lubricado

INFORMACIÓN TÉCNICA	
Vibración	7.7 m/s <sup>2</sup>
Ruido	92db

El nivel declarado de emisiones de vibración está basado en medidas que representan la aplicación principal de la herramienta. Sin embargo, si la herramienta se usa en aplicaciones diferentes, con accesorios diferentes, la emisión de vibración puede diferir. Esto puede aumentar significativamente el nivel al que se expone durante un período total de trabajo. El cálculo del nivel de vibración expuesto también tiene que considerar las veces que la herramienta está apagada o cuando está funcionando pero, realmente, no está trabajando. Esto puede reducir significativamente el nivel expuesto sobre un período total de trabajo. Identificar medidas de seguridad adicionales para proteger al operario de los efectos de la vibración, tales como: mantenimiento de la herramienta y accesorios, mantener las manos tibias, organización del padrón de trabajo.

Los valores que se muestran aquí solamente indican el ruido alto emitido por esta máquina. Aquí no se puede determinar si el operario debe usar protección auditiva. Eso depende de la cantidad de ruido que realmente llega al oído del operario. A pesar de que no es explícitamente necesario, por su propio beneficio, es mejor usar siempre protección auditiva cuando se maneja esta máquina.



## 10. GARANTÍA Y SERVICIO

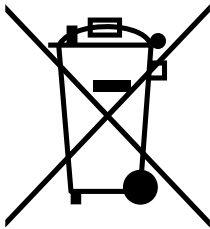
Para reparaciones dentro de garantía, servicio y repuestos, por favor diríjase al lugar de compra, o  
Visite nuestro website [www.arbortech.com.au](http://www.arbortech.com.au) para ubicar a un concesionario o agente de servicio en su zona.

### **Eliminación**

La máquina, los accesorios y embalajes deben separarse para que sean reciclados de acuerdo a las exigencias ambientales.

Sólo para los países de la UE: ¡No arroje herramientas eléctricas en la basura doméstica !  
Conforme a la Directriz Europea 2002/96/CE sobre Deshecho de Equipos Eléctricos y Electrónicos y su implementación al derecho nacional, las herramientas eléctricas que ya no sean usables deben recogerse separadamente y eliminarse de una manera ambientalmente correcta.

ESP



### **Declaración de Conformidad**

Declaramos bajo responsabilidad propia que el producto AS170 Sierra para Ladrillo y Argamasa (Brick and Mortar Saw) descrita bajo "Especificaciones" está en conformidad con los siguientes estándares o documentos de estandarización: EN 60745 de acuerdo a lo provisto en la Directiva de Maquinaria 2006/42/EC.

Archivo técnico en:  
Arbortech PTY LTD  
67 Westchester Road  
Malaga, WA 6090

Kevin Inkster  
Presidente  
Arbortech Pty Ltd

Arbortech PTY LTD  
67 Westchester Road  
Malaga, WA 6090

Sven Blinks  
Director Comercial  
Arbortech Pty Ltd

## 11. SOLUCIÓN DE PROBLEMAS

Este diagnóstico de problemas está diseñado para personas familiarizadas con aparatos mecánicos. En él se proporciona una instrucción básica para el mantenimiento de la herramienta. Para corregir fallas que puedan ser solucionados por el usuario debe consultarse la sección Mantenimiento de este manual. Para reparaciones más complejas, como se indica más adelante, debe recurrirse a un servicentro autorizado.

ITEM	SÍNTOMA	COMPROBACIÓN/SOLUCIÓN
1	Sobrecalentamiento del motor	<ul style="list-style-type: none"> <li>• Asegúrese de que las ranuras de ventilación no estén obstruidas por la mano del usuario, suciedad, etc. Si es necesario, extraiga o límpielas.</li> <li>• Compruebe que las cuchillas no rocen entre sí con fuerza excesiva, ni en el filo, ni en la zona del portacuchillas.</li> <li>• Las cuchillas pueden estar gastadas y sobrecalentadas. Reemplácelas si es necesario.</li> <li>• Asegúrese de que la tensión de la correa no sea excesiva.</li> <li>• Asegúrese de que los rodamientos no estén deteriorados, sacando la cubierta lateral de plástico y haciendo girar ambas poleas en forma independiente para ver si hay aspereza. La polea impulsadora debe rotar fácil y suavemente. La polea impulsada debe rotar suavemente pero al mismo tiempo debe dar la impresión de “pequeños saltitos”, como que quisiera quedarse en una de 2 posiciones.</li> <li>• Compruebe que el alojamiento del motor esté firmemente asegurada a la herramienta. Si está suelta, póngase inmediatamente en contacto con el servicentro autorizado.</li> </ul>
2	Funcionamiento ruidoso o vibraciones inusuales	<ul style="list-style-type: none"> <li>• Cuchillas flojas – apretar los tornillos de montaje del portacuchillas.</li> <li>• Fallan las cuchillas – cambiar el juego de cuchillas.</li> <li>• Ballesta de amortiguación defectuosa – ponerse en contacto con el servicentro autorizado.</li> <li>• Falla de rodamientos – ponerse en contacto con servicentro autorizado.</li> <li>• Falla de caja de cambios - ponerse en contacto con servicentro autorizado.</li> <li>• Sportes de goma de la manilla, gastados o dañados - reemplácelos.</li> </ul>
3	Sportes de goma de la manilla, gastados o dañados.	<ul style="list-style-type: none"> <li>• reemplácela.</li> </ul>
4	Una o ambas bielas/ cuchillas están flojas a pesar de que los tornillos del soporte están apretados	<ul style="list-style-type: none"> <li>• Ballesta de hojas defectuosa – ponerse en contacto con el servicio autorizado ARBORTECH.</li> </ul>
5	Le harramienta está funcionando pero las cuchillas no se mueven.	<ul style="list-style-type: none"> <li>• Correa suelta o rota - re-tensar o reemplazar, como sea necesario. Correa gastada - reemplácela.</li> <li>• Correa gastada - reemplácela.</li> </ul>
7	Las cuchillas continuamente se sueltan	<ul style="list-style-type: none"> <li>• Chequear los agujeros de los pernos de la cuchilla. Si los agujeros están alargados hay que reemplazar las cuchillas.</li> </ul>
8	Poleas gastadas	<ul style="list-style-type: none"> <li>• ponerse en contacto con servicentro autorizado ARBORTECH.</li> </ul>
9	Rendimiento de corte lento	<ul style="list-style-type: none"> <li>• Dientes gastados, astillados o quebrados – afilar o cambiar las cuchillas.</li> <li>• La correa resbala – vea SSntoma nº 4.</li> </ul>
10	Las cuchillas rozan entre sí con fuerza excesiva	<ul style="list-style-type: none"> <li>• Al tratar de cortar material muy duro.</li> </ul>
11	Las cuchillas se rozan a si mismas con demasiada fuerza.	<ul style="list-style-type: none"> <li>• Saque la cuchilla(s) y dóblela(s) suavemente para corregirla(s).</li> </ul>

ITEM	SÍNTOMA	COMPROBACIÓN/SOLUCIÓN
12	Los dientes de la cuchilla están astillados o quebrados.	<ul style="list-style-type: none"> <li>• Ocurre ocasionalmente al encontrar material duro, o si se impacta la parte de atrás de los dientes.</li> <li>• Cuidado insuficiente al depositar la herramienta con los dientes sobre una superficie dura o al dejarla suelta en la caja de herramientas.</li> <li>• Las cuchillas desgastadas se calientan en determinadas zonas – causando que los dientes se despeguen – cambiar las cuchillas.</li> <li>• Material a cortar demasiado duro.</li> </ul>
13	Empuñadura superior floja	<ul style="list-style-type: none"> <li>• Los casquillos de goma están dañados o desgastados – cámbielos.</li> </ul>
14	Coloración azul de las cuchillas	<ul style="list-style-type: none"> <li>• Dientes desgastados – cambiar las cuchillas.</li> <li>• Aplicación de fuerza excesiva.</li> <li>• Movimiento “de corte” insuficiente por parte del operario.</li> <li>• Material demasiado duro.</li> </ul> <p>Las cuchillas rozan entre sí con una fuerza excesiva (véase sección8).</p>
15	Los tornillos de montaje del portacuchillas no apretan totalmente	<ul style="list-style-type: none"> <li>• Rosca estropeada en los pernos - reemplace los pernos que no apretan.</li> </ul>
16	Roscas gastadas en la herramienta	<ul style="list-style-type: none"> <li>• Póngase en contacto con su servicentro ARBORTECH autorizado</li> </ul>
17	La herramienta no arranca	<ul style="list-style-type: none"> <li>• La AS170 tiene instalado con escobillas auto-desconectantes.</li> <li>• Verifique que las escobillas no estén dañadas o muy gastadas - reemplácelas. Diríjase a su servicentro ARBORTECH autorizado.</li> </ul>





## MANUEL D'INSTRUCTION

Consultez attentivement ce manuel afin de vous assurer du bon fonctionnement et de la bonne utilisation de l'appareil. Si vous utilisez l'AS170 correctement, elle vous offrira de nombreuses années de service et vous fera économiser du temps.



*Double isolation, sans prise de terre.*



**AS170**  
BRICK + MORTAR SAW

## TABLES DES MATIERES

PAGE

1. INTRODUCTION	2
2. REGLES GENERALE DE SECURITE	2-3
3. REGLES DE SECURITE SPECIFIQUE	4
4. DESCRIPTOON FONCTIONELLE	4
4.1 Description de la scie	4
4.2 Description de la lame	7
5. ASSEMBLAGE	5-6
6. FONCTIONNEMENT	7
6.1 Installation	7
6.2 Operation	8-9
7. ENTRETIEN ET MAINTENANCE	9
7.1 Moteur	10
7.2 Courroie en V et puollies	10
7.3 Boulons de support de lame et fils	10
7.4 Poignée supérieure et manchons en caoutchouc	11
8. ACCESSORIES	11
8.1 Extraction de poussière	11
9. CARACTERISTIQUES	11-12
10. GARANTIE ET SERVICES APRES VENTE	12
11. DÉPANNAGE	13-14

**F  
R  
A**

Reportez-vous aux instructions avant de vous servir de votre scie AS170

## 1. INTRODUCTION

L'Arbortech AS170 est conçue et fabriquée en Australie avec des composants et des techniques de fabrication de haute qualité.

Les lames a jointements est un brevet unique permettant le decoupage des briques,mortiers et masonnerie plus rapidement que les scies a jointements traditionnelle.

Cet action de decoupage prduit tres peu de poussieres,offrant une operation sure et controllee, avec la capaciter de couper jusqu'a 120 mm de profondeur,decoupage des angles droit et coupes variables de largeurs. Le AS170 est idealement adapter pour une varietes de taches comprenantant

- la suppression du mortier de scellement des briques.
- l'extraction de briques des murs.
- la découpe de briques sans endommager les zones adjacentes, sans éclatement, coupe, verrouillage ou crénelage de murs de briques, ciselage pour mise en place de conduits ou similaires dans les murs
- coupe de trous dans les murs et autres surfaces.
- finition d'angles droits dans les murs.
- coupe de bois souillé.
- coupe de bois sous terre.
- suppression de racines d'arbres.
- élagage des arbres.

**Une large gamme de lames adaptées à différentes applications peut être fournie avec cet appareil.**

### Définitions : consignes de sécurité

Les définitions ci-dessous décrivent le niveau de gravité de chaque mot signalétique. Lisez le manuel de l'utilisateur et soyez attentif à ces symboles.

⚠ **DANGER:** indique une situation dangereuse imminente qui, si elle n'est pas évitée, entraînera des blessures graves ou mortelles.

⚠ **AVERTISSEMENT :** indique une situation dangereuse potentielle qui, si elle n'est pas évitée, pourrait entraîner des blessures graves ou mortelles.

⚠ **ATTENTION :** indique une situation dangereuse potentielle qui, si elle n'est pas évitée, pourrait entraîner des blessures minimales ou modérées.

**ATTENTION :** utilisé sans le symbole de l'alerte de sécurité indique une situation dangereuse potentielle qui, si elle n'est pas évitée, pourrait entraîner des dégâts matériels.

⚠ Indique un risque d'électrocution.

⚠ **ATTENTION:**L'UTILISATION INNAPPROPRIEE DE L'AS 170 PEUT ENTRAÎNER L'USURE PREMATUREE ET/OU ENDOMAGER L'OUTIL LISER ATTENTIVEMENT LE MANUEL D'OPERATION.

## 2. INSTRUCTIONS GÉNÉRALES DE SÉCURITÉ

⚠ **AVERTISSEMENT !** Lisez toutes les instructions. Le non-respect des instructions indiquées ci-dessous peut entraîner une électrocution, un incendie et/ou des blessures graves. Le terme « outil électrique » mentionné dans tous les avertissements ci-dessous se rapporte aux outils branchés sur secteur (avec câble de raccordement) ou fonctionnant sur piles (sans fil).

CONSERVEZ CES INSTRUCTIONS

### 1) SÉCURITÉ DE L'AIRE DE TRAVAIL

a) **Maintenez l'aire de travail propre et bien éclairée. Une aire de travail encombrée ou mal éclairée augmente les risques d'accidents.**

b) **N'utilisez pas les outils électriques dans un environnement explosif, comme en présence de liquides, gaz ou poussières inflammables. Les outils électriques produisent des étincelles qui peuvent.**

c) **Tenez à distance enfants et spectateurs pendant que vous opérez un outil électrique. Une distraction peut vous faire perdre le contrôle de l'outil.**

### 2) SÉCURITÉ ÉLECTRIQUE

a) **La fiche de l'outil électrique doit correspondre avec la prise de courant. Ne modifiez en aucun cas la fiche. N'utilisez pas de fiches adaptatrices avec des outils électriques reliés à la terre (masse). Les fiches non modifiées et les prises de courant adaptées réduisent les risques d'électrocution.**

b) **Évitez tout contact physique avec des surfaces reliées à la terre ou à la masse, tels que tuyaux, radiateurs, cuisinières électriques et réfrigérateurs. Le risqué d'électrocution augmente si votre corps est relié à la terre.**

c) **N'exposez pas les outils électriques à la pluie ou à l'humidité. Le risqué d'électrocution augmente si de l'eau pénètre dans un outil électrique.**

d) **Ne maltraitez pas le cordon d'alimentation. N'utilisez jamais le cordon pour transporter,**

F  
R  
A

**tirer ou débrancher l'outil électrique. Tenez le cordon à l'écart de sources de chaleur, huile, bords tranchants ou pièces en mouvement. Le risque d'électrocution augmente si le cordon est endommagé ou entortillé.**

**e) Utilisez une rallonge convenant pour l'utilisation à l'extérieur si vous utilisez l'outil électrique dehors. Le risque d'électrocution diminue si vous utilisez un cordon convenant pour l'utilisation à l'extérieur.**

**f) L'utilisation obligatoire d'outils électrique dans un endroit humide utiliser un dispositif de courant résiduel(RCD). L'utilisation du RCD réduit le risque d'électrocution.**

### **3) SÉCURITÉ PERSONNELLE**

**a) Restez vigilant, surveillez vos gestes et faites preuve de bon sens lorsque vous utilisez un outil électrique. N'utilisez pas un outil électrique si vous êtes fatigué ou sous l'influence de drogues, d'alcool ou de médicaments. Un moment d'inattention durant l'utilisation d'un outil électrique peut entraîner de graves blessures corporelles.**

**b) Utilisez un équipement de sécurité. Portez toujours des lunettes de sécurité. Un équipement de sécurité comme un masque anti-poussières, des chaussures de sécurité antidérapantes, un casque de sécurité ou un serre-tête antibruit, utilisés selon la tâche à effectuer, permettront de diminuer le risque de blessures corporelles.**

**c) Éviter tout démarrage intempestif. S'assurer que l'interrupteur est en position arrêt avant de brancher l'outil au secteur et/ou au bloc de batteries, de le ramasser ou de le porter. Porter les outils en ayant le doigt sur l'interrupteur ou brancher des outils dont l'interrupteur est en position marche est source d'accidents.**

**d) Retirez toute clé de réglage ou autre avant de mettre l'outil sous tension. Une clé laissée en place sur une pièce rotative de l'outil électrique peut entraîner des blessures corporelles.**

**e) Ne vous penchez pas trop loin. Maintenez constamment votre équilibre. Vous aurez ainsi une meilleure maîtrise de l'outil électrique en cas de situations imprévues.**

**f) Portez des vêtements adéquats. Ne portez pas de vêtements amples ni de bijoux. Maintenez cheveux, vêtements et gants à l'écart des pièces en mouvement. Les pièces en mouvement peuvent happer les vêtements amples, les bijoux**

**et les cheveux longs.**

**g) Si des accessoires sont fournis pour raccorder des dispositifs d'aspiration et de collecte de la poussière, vérifiez qu'ils sont bien raccordés et bien utilisés. L'utilisation de tels accessoires permet de réduire les risques liés à la présence de poussière.**

### **4) UTILISATION ET ENTRETIEN DES OUTILS ÉLECTRIQUES**

**a) Ne forcez pas l'outil électrique. Utilisez l'outil électrique qui correspond à votre utilisation. Si vous utilisez l'outil électrique adéquat et respectez le régime pour lequel il a été conçu, il réalisera un travail de meilleure qualité et plus sûr.**

**b) N'utilisez pas l'outil électrique s'il est impossible de l'allumer ou de l'éteindre avec l'interrupteur. Un outil électrique qui ne peut être contrôlé par l'interrupteur représente un danger et doit être réparé.**

**c) Débranchez la fiche de la source d'alimentation avant de procéder à tout réglage, de changer d'accessoire ou de ranger l'outil électrique. Ces mesures de sécurité préventives réduiront les risques de démarrage accidentel de l'outil électrique.**

**d) Après utilisation, rangez l'outil électrique hors de portée des enfants et ne laissez aucune personne l'utiliser si elle n'est pas familiarisée avec les outils électriques ou ces instructions. Les outils électriques représentent un danger entre des mains inexpertes.**

**e) Procédez à l'entretien des outils électriques. Assurez-vous que les pièces en mouvement ne sont pas désalignées ou coincées, qu'aucune pièce n'est cassée ou que l'outil électrique n'a subi aucun dommage pouvant affecter son bon fonctionnement. Si l'outil électrique est endommagé, faites-le réparer avant de le réutiliser. De nombreux accidents sont causés par des outils mal entretenus.**

**f) Maintenez vos outils affûtés et propres. Un outil bien entretenu et aux bords bien affûtés risquera moins de se coincer et sera plus facile à maîtriser.**

**g) Utilisez l'outil électrique, ses accessoires et ses embouts, etc. conformément aux instructions et de la façon prévue pour ce type particulier d'outil électrique, en tenant compte des conditions de travail et de la tâche**

à effectuer. L'utilisation d'un outil électrique à des fins autres que celles prévues est potentiellement dangereuse.

## 5) RÉPARATION

a) **Confiez la réparation de votre outil électrique à un réparateur qualifié qui utilise des pièces de rechange identiques. La sécurité de l'outil électrique sera ainsi préservée.**

**NOTE: Reférez vous a la (section5) de l'assemblage pour une liste des pieces remplaçable.**

## 3. CONSIGNES PARTICULIÈRES DE SÉCURITÉ

1. **Tenez l'outil par une surface de prise isolée uniquement, lorsque vous effectuez une tâche où l'accessoire de découpe pourrait toucher un câblage caché ou son propre cordon d'alimentation. En cas de contact de l'accessoire de découpe avec un câble sous tension, les pièces métalliques à découvert de l'outil électrocuteraient l'utilisateur.**

2. **Enlevez tout les outils de réglages comme les cle allen et cle hexagonales avant de demarrer l'outil**

3. **Utilisez que des accessoire recommander dans le manuel d'utilisation.**

4. **Toujours utiliser l'outil avec la tention indiquer sur l'etiquette.**

5. Ne pas demarrer l'outil sous pression. Faire demarrer l'outil avant de commencer un travail.

6. Ne jamais demarrer ou utiliser l'outil en ayant les doigts ou des objets dans les orrifices des lames.

7. **Faites attention pendant et apres l'utilisation. Les lames et quelques zones de l'outil s'echauffent.**

8. Assurez vous qu'il n'y ai pas de fils électrique, tuyautage ou d'isolation dans l'endroit ou vous travaillez.

9. **Laissez un temps de repos pour faciliter les effets de vibrations. Portez des gants pour minimiser l'effet de vibration sur le corps.**

10. **Assurez vous que l'accessoire d'extraction de poussiere est bien connecter.**

11. **Gardez les mains sec, propre et sans graisse.**

12. **Si la garde ou les pieces paraissent endomager verifiez si elles fonctionnent proprement.**

13. L'utilisation d'accessoires et embouts autre que ceux recommander dans le manuel peuvent entrainer d'accidents grave..

14. Ne forcez pas l'outil. L a ete concue pour travailler a vitesse moderee.

15. Tenez l'outil des deux mains quand vous l'utilisez.

SYMBOLES ils indiquent les symboles utiliser dans ce manuel



Construction de la classe 2(Double isolation, pas de prise de terre)

VAC volts alternating current

A amperes

Hz hertz

W watt

N<sub>0</sub> vitesse ralentie

rpm tours minutes

dB decibels

Nm newton metres

m metres

m/s metres par seconde

mm millimeters

kg-m kilogram meters

ft-lb pieds par livres

F  
R  
A

## 4. FONCTIONS

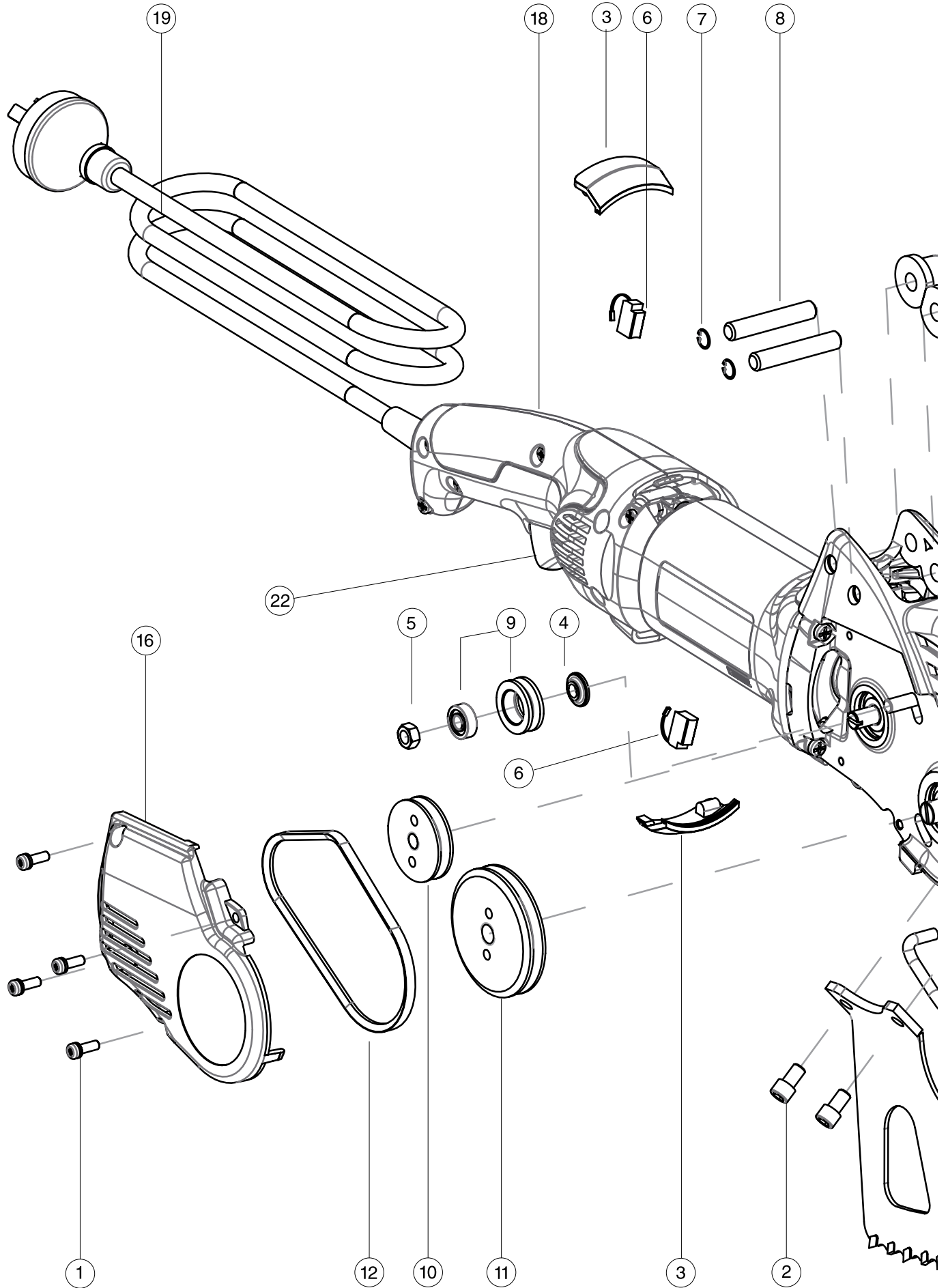
### 4.1 AS170 DESCRIPTION DE L'OUTIL

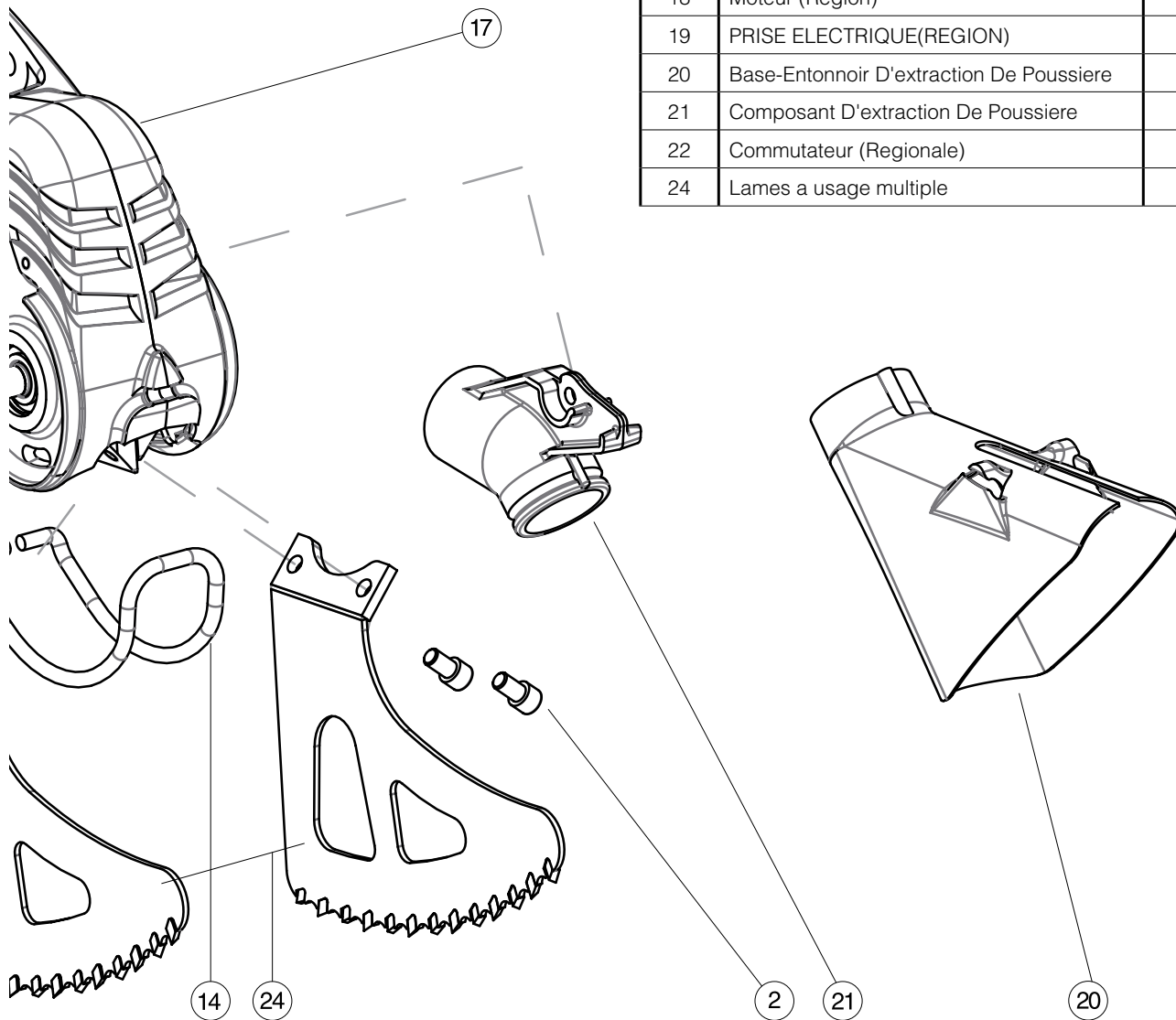
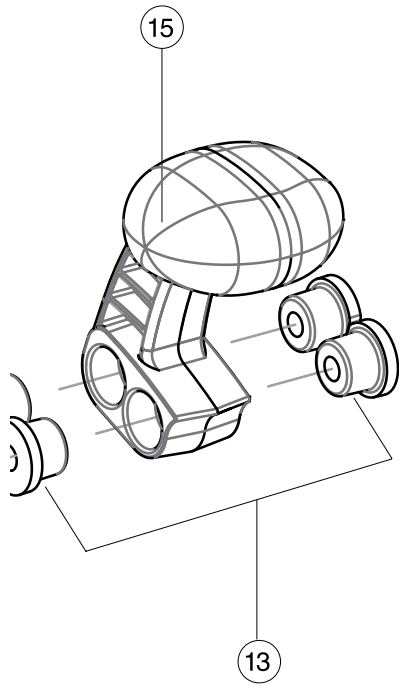
L'appareil AS170 est conçu pour couper les matériaux rigides, comme le mortier, les briques, les plaques de plâtre, les panneaux de fibres agglomérées, les planches de recouvrement et le bois. La scie AS170 utilise différentes lames adaptées aux matériaux à découper. Les lames peuvent être changées en fonction de la profondeur et de la longueur de la coupe.

Les lames sont actionnées par des bielles et un arbre à came à courroie. La courroie en V est conçue afin de permettre un léger patinage en cas de blocage des lames. LA TENSION DE LA COURROIE DOIS ETRE VERIFIEE APRES LES 5

# 5 ASSEMBLAGE

F  
R  
A





1	Vis-Protégé courroie,M4 X 12	4
2	Vis- Lame,M6 X 10	4
3	Couvre-Brosse	2
4	Rondelles	1
5	Ecrous-Nyloc M6	1
6	Brosse-Carbone	2
7	Clip-Interne	2
8	Pin	2
9	Poullie-Tension comprenant le roulement	1
10	Poullie-Tension	1
11	Poullie-Train	1
12	Courroie	1
13	Roulements	4
14	Garde	1
15	Manche-Haut	1
16	Couvre-Courroie	1
17	logement	1
18	Moteur-(Region)	1
19	PRISE ELECTRIQUE(REGION)	1
20	Base-Entonnoir D'extraction De Poussiere	1
21	Composant D'extraction De Poussiere	1
22	Commutateur (Regionale)	1
24	Lames a usage multiple	1

**F  
R  
A**

PREMIERES HEURES D'UTILISATION. Elle est facilement remplacée en ôtant le capot en plastique et est tendue à l'aide du galet de tension ajustable (voir section 11.3).

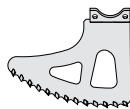
Les lames sont montées sur les bielles hautement extensibles à l'aide de boulons Allen™.

Une garde métallique qui peut être remplacée limite la profondeur maximale de coupe et empêche les supports de lame d'endommager la surface du matériau découpé. Les chocs et les vibrations de l'appareil sont réduits grâce à une poignée en caoutchouc située sur le haut de l'appareil. La poignée supérieure permet un confort d'utilisation dans différents angles de coupe. Le manchon en caoutchouc de la poignée supérieure peut être remplacé en cas d'usure.

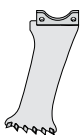
## 4.2 DESCRIPTION DE LA LAME

L'AS170 utilise différentes lames de coupe selon les matériaux et les profils.

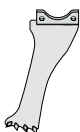
**Les lames à utilisation générale sont composées de dents en carbure de tungstène et sont conçues pour les coupes de maçonnerie générale et dans la terre. Reportez-vous au guide des matériaux. Ces types de lames permettent une coupe d'une profondeur de 115 mm.**



**Les lames à creusement de mortier sont composées de dents en carbure de tungstène et ont une profondeur de coupe maximale de 120mm. Ces lames peuvent couper des fentes de 75mm de longueur (la hauteur d'une brique).**



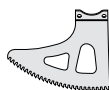
**Les lames à boîte de dérivation sont composées de dents en carbure de tungstène et ont une profondeur de coupe maximale de 120mm. Elles sont appropriées à l'installation de boîtes de dérivation électrique dans les murs de plâtre et de briques.**



**Les lames à jointement sont utilisées pour retirer le ciment entre les briques lors de travaux de restauration.**



**Les lames à bois sont utilisées pour le cisaillement des bois propres et ont une profondeur maximum de coupe de 110 mm.**



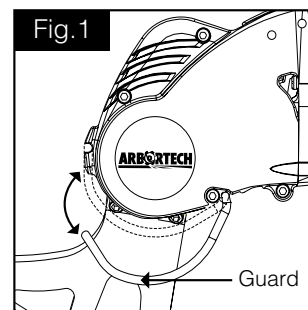
**Remarque :** Toutes les lames peuvent être aiguisées de nouveau si elles ne sont pas trop usées.

## 6. FONCTIONNEMENT

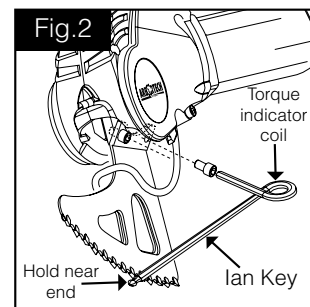
### 6.1 Operation

L'AS170 est directement opérationnelle. Toutefois, vous pouvez être amené à changer les lames selon les coupes à réaliser.

Avant de modifier les lames, la garde autour des supports de lame doit être légèrement soulevée de son socle en face avant de l'appareil et écartée afin de libérer l'accès aux vis (voir Figure 1).



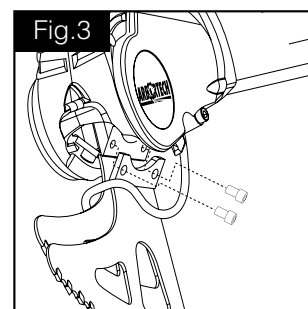
Utilisez la clé hexagonale fournie pour desserrer et enlever les vis et les rondelles qui sécurisent les lames, enlevez ensuite les lames comme indiqué dans la figure 2.



Choisissez les lames adaptées à votre coupe et montez-les, ainsi que les vis et les rondelles. Assurez-vous que la surface des supports de lame, les bielles et les vis sont propres, exemptes de lubrifiant ou de tout autre produit susceptible de les endommager. Vérifiez que la garde peut être refermée avant de fixer les lames à la bielle (voir figure 2).

**REMARQUE :** Utilisez toujours des paires de lame correspondantes. Ne mélangez pas des lames neuves avec des lames anciennes. Servez-vous uniquement des boulons fournis avec l'appareil..

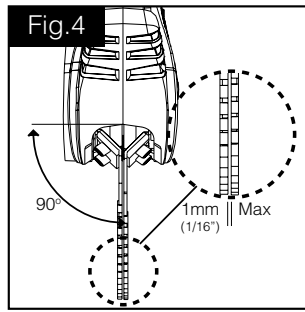
Utilisez la cle hexagonale pour serrer la vis de support de la lame jusqu'à ce que l'indicateur de couple se separe suffisamment pour que les bouts se joignent. La cle hexagonale serra les boulons a la tention requise 18Nm(11.5ft lb).



**NOTE:** les lames s'usent meme en les utilisant normalement, leurs duree de vie varient dependent des materiaux utiliser.



**ATTENTION:** Ne pas utiliser l'outil si les lames sont desserrées. Cela endommagera le support des lames et les écrous. Assurez-vous que les dents des lames soient légèrement en contact ou avec un espace maximal de 1mm (voir figure 4).



Si l'espace entre les lames est trop important, comme après plusieurs utilisations, les lames peuvent être retirées et pliées doucement vers l'intérieur afin de réduire l'espace. Assurez-vous que les deux lames sont alignées verticalement à l'appareil (voir figure 4).

**ATTENTION :** Si le frottement des lames à un endroit autre que dans les 25 millimètres du tranchant ou si la force du contact est importante, vous fatiguez l'appareil et provoquez l'usure prématurée de la courroie. Remplacez la garde à son emplacement d'origine (voir figure 1).

## 6.2 Fonctionnement

**NOTE:** l'usage de l'AS170 peut entraîner à une vibration dans les bras qui pourrait à la longue entraîner à la fatigue. Les matériaux durs augmentent les vibrations.

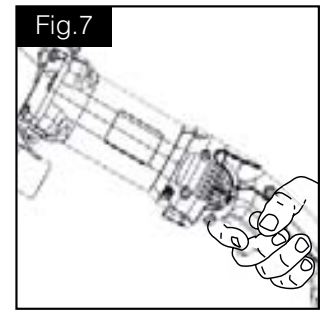
En cas de malaise ne pas utiliser l'outil et prendre des périodes de pause pendant le coupage. Contactez le fabricant pour plus de renseignements.

Consultez la section Sécurité de ce manuel d'instructions avant de vous servir de l'appareil.

Munissez-vous des protections nécessaires pour les yeux, les oreilles et le corps.

Vérifiez la position des lames et assurez-vous que l'interrupteur est sur la position OFF puis branchez l'appareil sur une prise de courant.

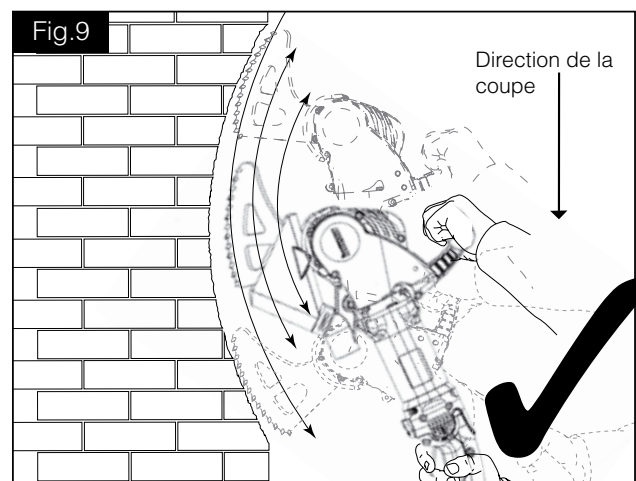
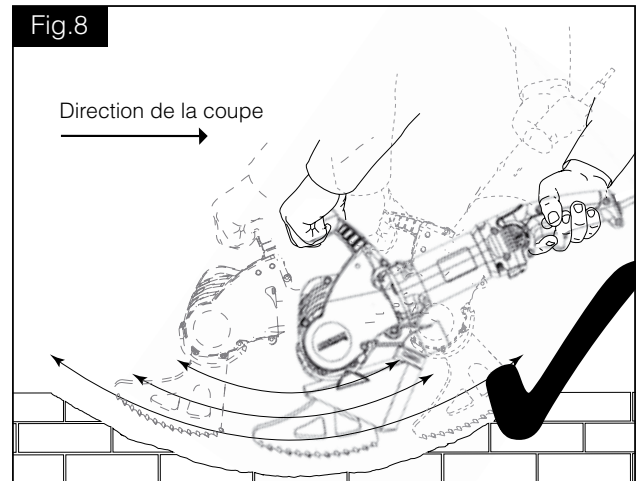
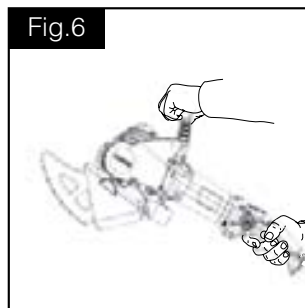
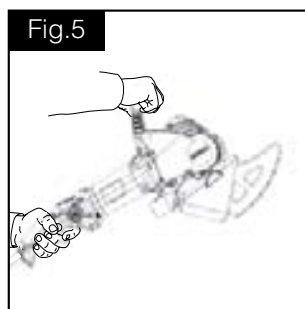
**ATTENTION :** Ne bloquez pas les conduits d'aération et n'obstruez pas l'arrière du moteur sous peine de l'endommager. Nous vous recommandons de nettoyer régulièrement les conduits d'aération à l'air comprimé si vous travaillez dans un environnement poussiéreux (voir figure 7).



Maintenez l'appareil par la poignée supérieure et par le logement du moteur afin d'être le plus à l'aise possible pour travailler (voir les figures 5 et 6).

Pour commencer la coupe, tenez l'outil fermement dans vos mains et placez le milieu du tranchant de la lame sur la zone de travail, gardez à l'esprit que la direction de coupe est vers l'arrière des lames.

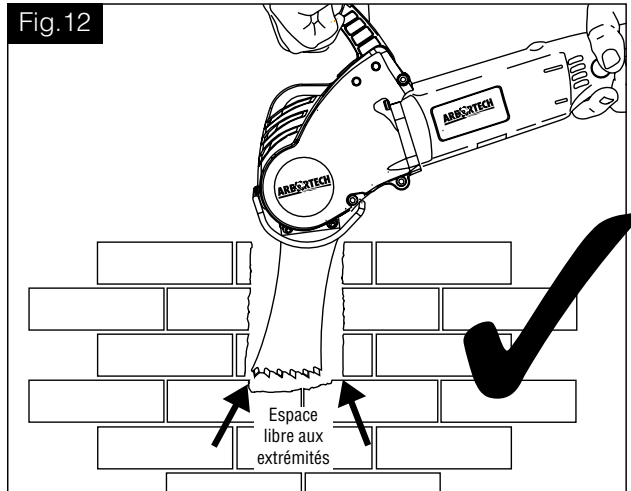
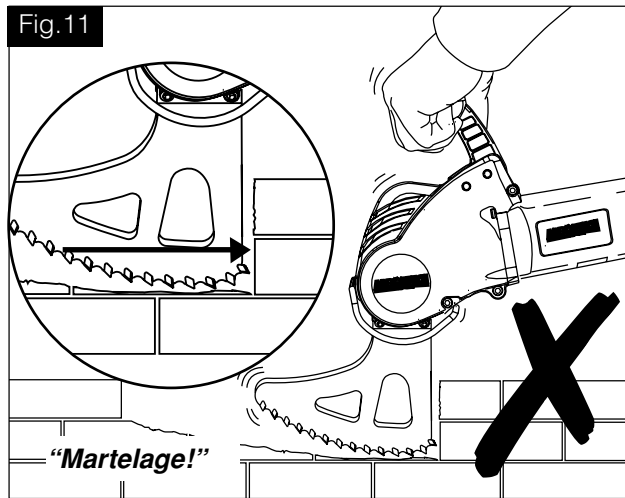
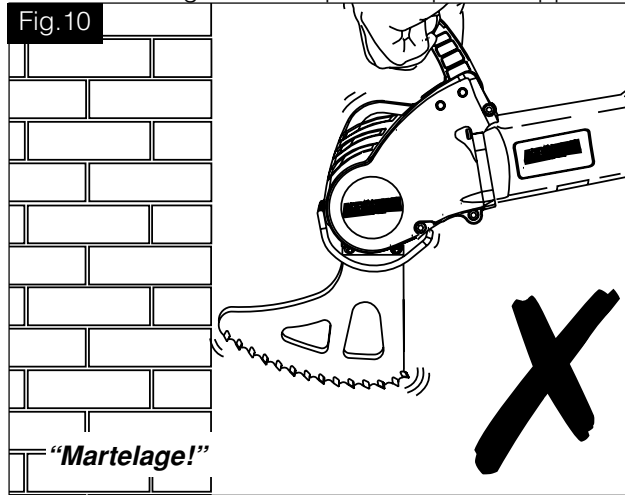
Pendant la coupe, déplacez l'outil et les lames dans un mouvement de sciage lent afin d'améliorer la coupe, de réduire le réchauffement et de diminuer l'usure des lames (voir figures 8 et 9). ALLSAW™



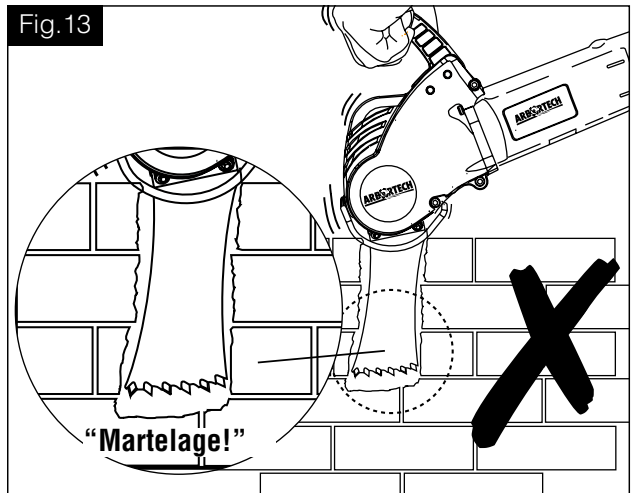
**ATTENTION :** Le martelage des extrémités des lames sur une surface dure peut les endommager, ainsi que l'appareil (voir figures 10, 11 et 13). En cas de martelage accidentel, arrêtez l'appareil ou ôtez-le immédiatement de la coupe.

Quel que soit le type de lame, évitez le martelage sur l'extrémité des lames et sur le bord de la coupe en utilisant un balancement lent et un mouvement large. Assurez-vous que seules les dents sont en contact avec la pièce découpée afin d'améliorer les performances.

**ATTENTION :** Vous risquez d'ébrécher les dents en carbure de tungstène lorsque vous posez l'appareil.



Lorsque vous utilisez des lames à creusement de mortier, la coupe doit contenir un espace libre (voir figure 12) suffisamment important à chaque extrémité afin d'éviter le martelage sur les extrémités de la lame (voir figure 13).



## 7. ENTRETIEN ET MAINTENANCE

**ATTENTION:** pour réduire le risque d'accidents éteignez et déconnectez l'outil de la prise d'alimentation avant de faire des réglages ou pour enlever ou installer les connexions ou accessoires.

Avant de reconnecter l'outil enfoncez puis relâchez le commutateur de déclenchement pour s'assurer que l'outil est éteint.

Pour s'assurer de la fiabilité de l'outil, les réparations et la maintenance et réglages (incluant l'inspection et le remplacement de la brosse) doivent se faire par un centre de service ARBORTECH agréé. Utilisez toujours des pièces de rechange recommandées.

### 7.1 Moteur

#### Nettoyage

**ATTENTION:** Soufflez la poussière et les particules en utilisant de l'air compresseur propre et sec est une procédure de maintenance régulière. La poussière et les particules s'accumulent souvent sur les surfaces intérieures et peuvent causer une panne prématurée. Ne pas nettoyer régulièrement l'AS170 affectera la garantie.

**ATTENTION:** TOUJOURS PORTER DES VERRES DE SÛRETÉ pour utiliser ou nettoyer l'outil. Attention ne jamais utiliser du solvant ou aucun composant chimique pour nettoyer les parties non métalliques de l'outil. Utilisez un tissu propre et sec.

### Graissage

Les outils ARBORTECH sont graissés à l'assemblage et sont prêts à l'usage.

### Accessoires

Pour réduire le risque d'accidents, utilisez que les accessoires ARBORTECH avec le produit. Les accessoires recommandés sont disponibles au surcoût chez votre distributeur local ou au centre de service autorisé.

### Reparation

Pour toute assistance en la recherche d'accessoires ou pour tout renseignement sur l'outil, contactez ARBORTECH. [www.arbortech.com.au](http://www.arbortech.com.au)

### Brosses

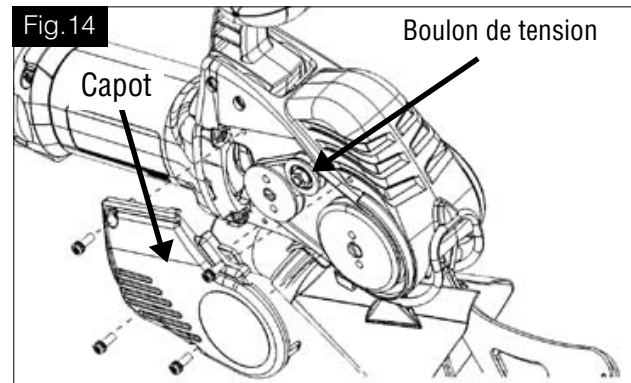
L'as170 est équipé de brosses à arrêts automatiques. Quand elles sont usées au-dessous de leur longueur minimale, l'outil arrête de fonctionner réduisant les dommages au moteur. Contactez votre distributeur agréé ou votre centre de service pour le remplacement des brosses.

### 7.2 Courroie en V et Poulies

**ATTENTION:** la courroie en V doit être réglée après 5 heures d'usage. Une courroie de rechange vous est fournie. La courroie a été conçue pour protéger l'outil en cas de blocage des lames.

Pour y accéder, enlevez les vis tenant le couvercle en plastique à droite de l'outil (image 15). Vérifiez la tension de la courroie et s'il n'y a aucun signe de dommages. S'il faut régler la tension, desserrez l'écrou du tendeur (d'un tour), glissez le tendeur vers l'extérieur pour augmenter la tension comme indiqué dans la spécification générale SECTION 3 et resserrez. Pour remplacer la courroie, desserrez le

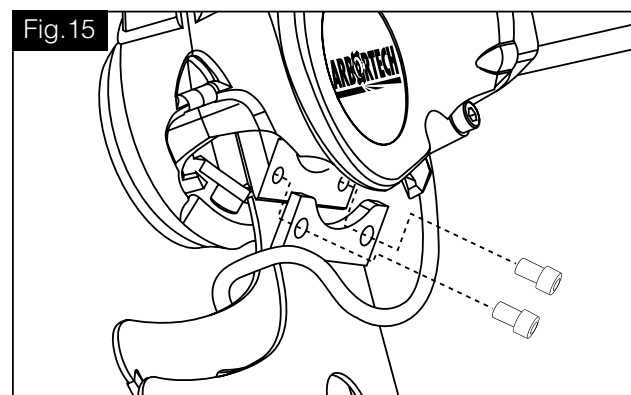
tendeur, remplacez la courroie et ajustez le tendeur comme spécifié.



Si la courroie patine excessivement, les poulies peuvent s'user. On reconnaît une poulie usée quand elle perd la forme en V bien définie qui s'arrondit ou s'aplatit. Pour remplacer les poulies, contactez votre centre de service ARBORTECH agréé.

### 7.3 Ecrous de support des lames et filletage

Vérifiez que les vis servant les lames soient correctement serrées à (18Nm) (15ft lb). Quand vous échangez les lames, vérifiez que les écrous et le filletage ne soient pas usés et couverts de débris. Utilisez que des pièces de rechange ARBORTECH et ne pas graisser les écrous et les surfaces de contact des bielles.



**ATTENTION:** N'UTILISEZ PAS l'outil si les lames sont lâches. Si les lames deviennent lâches en utilisant l'outil, le support des lames et le filletage peuvent s'endommager et entraîneraient des réparations conséquentes.

### 7.4 Affutage Des Dents

L'utilisation fréquente de l'outil entraîne l'usure des lames et l'exécution de découpage diminuera. Pour améliorer l'utilisation, affûtez les lames. Pour

affuter les dents des lames utilisez la meule ARBROTECH(BLA.FG.SHARP001). L'utilisation occasionnelles des lames sur des surfaces dure ou a des angles abrutes les dents peuvent s'ebrechees ou se casser. Les lames peuvent encore etres utilisees mais leur performances diminuront.

Si la périphérie des lames devient bleue, les lames sont trop chaudes. Cela est généralement occasionné par l'usure des dents, une force trop importante, un balancement insuffisant de l'opérateur ou un matériau trop dur.

ATTENTION: utilisez toujours des lames eguisees pour avoir une performance optimale de l'outil.

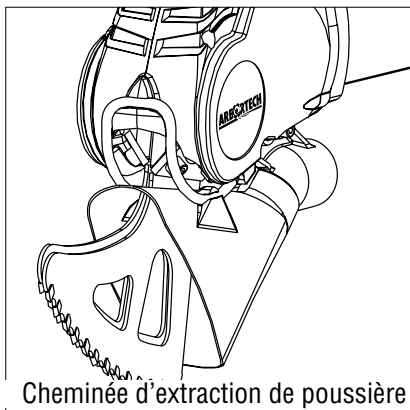
## 8. ACCESSOIRES

### 8.1 Extraction de poussière

L'appareil AS170 peut être livré avec une cheminée d'extraction de poussière, ce qui permet de réduire la quantité de poussière émise dans l'air ambiant. Cet accessoire est constitué d'attaches qui se fixent sous le logement d'aluminium et d'une cheminée d'extraction réglable qui peut être remplacée après usure. La cheminée d'extraction s'adapte parfaitement à un calibre 30mm standard.

**Remarque :** L'absence de la cheminée d'extraction de poussière lors de la coupe de matériaux de maçonnerie provoque l'usure excessive des composants électriques. Les dégâts provoqués par la poussière entraîneront une panne prématurée du moteur, qui ne sera pas prise sous garantie.

**ATTENTION :** Assurez-vous que l'aspirateur possède un système de filtre adapté au matériau découpé. Un filtrage incorrect empêche le contrôle efficace de la poussière et peut endommager l'aspirateur.



## 9. CARACTÉRISTIQUES PRINCIPALES

ÉLÉMENT	CARACTÉRISTIQUES
Profondeur maximale de coupe	120mm (4 3/4")/6.5mm (1/4")
Largeur de coupe	4.3kg (9.5lb)
Dimensions sans les lames	450 mm (17 7/8") L 75 mm (3") W 240 mm (9 1/2") H
Vitesse hors coupe - tours/minute $n_0$	5100 rpm
Evaluation électrique nominale	230-240 VAC, 50Hz, 1250W (Australia) 230 VAC, 50 Hz (Europe) 110 - 120 VAC, 50-60 Hz 13A (USA/CANADA/UK Industrial)
Cheminée d'extraction de poussière	25mm (1"), 32mm (1 1/4"), 37mm (1 3/8")
Tension de la courroie	Tension de la courroie - Déflexion maximum : 1mm avec force de réflexion de 2,5 kg
Serrage du boulon de support de lame	18 Nm (1,8 kg/m), non lubrifié.

### DONEES THECNIQUE

Niveau de vibration	7.7 m/s <sup>2</sup>
Niveau sonore	92db

le niveau de vibrations emis est baser sur les mesures representent les applications principales de l'outil. Cependant si on se sert de l'outil pour differentes applications ou avec des accessoires autre que le sien,ou mal entretenu et le niveau de vibration peut changer. cela peut augmenter de maniere significative le niveau de vibration pendent le fonctionnement. Une estimation d'exposition au niveau de vibration peut etre pris en compte au moment ou l'outil est eteint et quand il est en operation libre. Cela reduirait le niveau d'exposition pendant le fonctionnement. Prenez des precautions additonels comme, entretenir les accessoires et l'outil,organisez un programme de travail pour proteger l'operateur des effets de vibrations.

Ces valeurs ci dessous indiquent seulement le bruit emis par la machine. Ceux ci ne peuvent determiner si l'operateur dois se proteger contre le bruit. Cela depend du niveau de bruit qui atteint l'operateur. Il est necessaire de toujours se proteger contre le bruit en utilisant l'outil.



## 10. GARANTIE ET SERVICE APRES VENTE

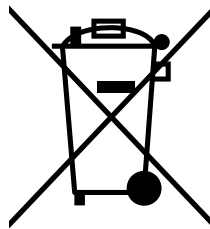
Pour la garantie de service apres vente contactez votre point de vente ,

or

Visitez notre site internet [www.arbortech.com.au](http://www.arbortech.com.au) pour localiser un revendeur ou le service apres vente de votre localite.

## ELIMINATION DES DÉCHETS

Les outils électroportatifs, ainsi que leurs accessoires et emballages, doivent pouvoir suivre chacun une voie de recyclage appropriée. Seulement pour les pays de l'Union Européenne Ne jetez pas votre appareil électroportatif avec les ordures ménagères ! Conformément à la directive européenne 2002/96/CE relative aux déchets d'équipements électriques et électroniques et sa réalisation dans les lois nationales, les outils électroportatifs don't on ne peut plus se servir doivent être séparés et suivre une voie de recyclage appropriée.



## Declaration de conformite

Nous declaron sous notre entiere responsabilite que la scie a brique et a mortier AS170 decris par Les Specifications est conforme au documents de standard :EN 60745 selon la provision de Directives Des Machines 2006/42/EC.

Fiches Techniques:  
Arbortech PTY LTD  
67 Westchester Road  
Malaga, WA 6090

F  
R  
A

Kevin Inkster  
President  
Arbortech Pty Ltd

Arbortech PTY LTD  
67 Westchester Road  
Malaga, WA 6090

Sven Blinks  
Directeur  
Commerciale  
Arbortech Pty Ltd

## 11. DÉPANNAGE

Les diagnostics d'erreurs suivants sont destinés aux mécaniciens et permettent une maintenance de base de l'appareil. Pour corriger les erreurs d'utilisation, reportez-vous à la section sur la maintenance de ce manuel. Les réparations les plus complexes doivent être réalisées par un centre d'entretien autorisé.

F  
R  
A

ÉLÉMENT	SYMPTÔME	VÉRIFICATION/RÉPARATION
1	Surchauffe du moteur	<ul style="list-style-type: none"> <li>• Vérifiez si les conduits d'aération ne sont pas obstrués par les mains de l'utilisateur, des débris ou autre. Nettoyez comme indiqué.</li> <li>• Vérifiez si les lames ne frottent pas trop fort l'une contre l'autre au niveau du tranchant ou du support. Dans ce cas, les lames s'usent et surchauffent. Remplacez-les si nécessaire.</li> <li>• Les lames usées et surchauffées les remplacer.</li> <li>• Vérifiez si la courroie n'est pas trop tendue.</li> <li>• Vérifiez si les roulements à billes sont faussés en enlevant le capot en plastique. Vérifiez l'état de la courroie et la robustesse de rotation de chaque galet. Le galet de puissance doit tourner facilement et sans à-coups. Le galet de guidage doit tourner sans à-coups et avoir une flexibilité lui permettant de rester dans deux positions.</li> <li>• Assurez-vous que le logement du moteur est sécurisé. Si le moteur est desserré, contactez immédiatement votre centre d'entretien.</li> </ul>
2	Bruit anormal ou vibration inhabituelle	<ul style="list-style-type: none"> <li>• Desserrement des lames. Serrez les boulons du support de lame</li> <li>• Panne de lame. Remplacez la lame</li> <li>• Panne du ressort de lame. Contactez votre service d'entretien</li> <li>• Panne des roulements à billes. Contactez votre service d'entretien</li> <li>• Panne de boîte de vitesse. Contactez votre service d'entretien</li> <li>• Supports en caoutchouc de la poignée endommagés. Remplacez-les</li> </ul>
3	Supports en caoutchouc de la poignée endommagés.	<ul style="list-style-type: none"> <li>• Remplacez-les</li> </ul>
4	Desserrement des bielles et/ ou des lames, même si les boulons du support sont serrés	<ul style="list-style-type: none"> <li>• Panne du ressort de lame. Contactez votre service d'entretien</li> </ul>
5	Patinage de la courroie	<ul style="list-style-type: none"> <li>• Si la courroie est lâche ou usée remplacez les</li> </ul>
7	Les lames se desserrent continuellement	<ul style="list-style-type: none"> <li>• Vérifiez les orifices des boulons des lames si les orifices sont ovalisés remplacez les lames</li> </ul>
8	Poullies usées	<ul style="list-style-type: none"> <li>• Contacter votre service d'entretien</li> </ul>
9	Réduction de la performance de coupe	<ul style="list-style-type: none"> <li>• Dents usées, ébréchées ou cassées. Affûtez ou remplacez la lame</li> <li>• Patinage de la courroie. Voir symptôme 4</li> </ul>
10	Frottement excessif des lames entre elles	<ul style="list-style-type: none"> <li>• Ôtez les lames et corrigez légèrement la courbure</li> </ul>
11	Frottement excessif des lames entre elles.	<ul style="list-style-type: none"> <li>• Remove blade/s and bend slightly to correct.</li> </ul>
12	Dents de lame ébréchées ou cassées	<ul style="list-style-type: none"> <li>• Se produit avec des matériaux durs ou si l'arrière des dents est impacté.</li> <li>• Assurez-vous de ne pas déposer les dents de l'appareil sur une surface dure et de ne pas les perdre dans la boîte de rangement</li> <li>• Les lames usées surchauffent à certains endroits, ce qui déchausse les dents</li> <li>• Matériaux trop durs</li> </ul>

ÉLÉMENT	SYMPTÔME	VÉRIFICATION/RÉPARATION
13	Desserrement de la poignée supérieure	<ul style="list-style-type: none"> <li>• Manchons en caoutchouc endommagés ou usés. Remplacez-les</li> </ul>
14	Les lames deviennent bleues	<ul style="list-style-type: none"> <li>• Dents endommagées. Remplacez les lames</li> <li>• Force excessive utilisée</li> <li>• Balancement insuffisant de la part de l'utilisateur</li> <li>• Matériaux trop durs</li> <li>• Frottement excessif des lames (voir section 8)</li> </ul>
15	Les boulons de support de lames ne peuvent pas être serrés complètement	<ul style="list-style-type: none"> <li>• Filletage des boulons abimer remplacer les</li> </ul>
16	L'appareil ne démarre pas	<ul style="list-style-type: none"> <li>• Le AS170 est équipé d'un arrêt automatique</li> <li>• Vérifiez que les brosses ne sont pas excessivement usées ou endommagées. Pour les remplacer contactez votre centre de service ARBORTECH agréé.</li> </ul>

F  
R  
A





D  
A  
N

## INSTRUKTIONS BOG

Denne instruktions bog bør læses, for at sikre korrekt betjening og omhu for maskinen. Hvis du bruger AS170 i henhold til beskrivelsen, vil den give lang tids pålidelig service.



*Dobbelt isoleret Ingen jordledning.*



**AS170**  
BRICK + MORTAR SAW

## INDHOLDSFORTEGNELSE

	Side
1. INTRODUKTION	2
2. SIKKERHED	2
3. SPECIFIKATIONER	3-4
4. FUNKTIONS BESKRIVELSE	4
4.1 VærktøJS beskrivelse	4
4.2 Skære blade, beskrivelse	7
5. OVERSIGT	5-6
6. DRIFTS VEJLEDNING	7
6.1 Opstart	7
6.2 Anvendelse	7-9
7. INSPEKTION OG VEDLIGEHOLD	9
7.1 Motor	9
7.2 V-Belt and Pulleys	10
7.3 Kilerem og kileremskiver	10
7.4 Skæreblads monterings bolte og gevind	10
8. TILBEHØR	10
8.1 Støv udsugning	11
9. SPECIFIKATIONER	11
10. GARANTI OG SERVICE	12
11. FEJLFINDING	13-14

VENLIGST LÆS INSTRUKTIONEN FØR ALLSAW 170 TAGES I BRUG.

## 1. INTRODUKTION

Arbortech AS170 er designet og fabrikeret i Australien, ved brug af højeste kvalitetskomponenter og fabriktions metoder. Den enestående patenterede orbitale skære funktion af to modsat kørende blade tillader skæring af mursten, mørtel og murværk hurtigere end traditionelle modsat kørende save.

Skære funktionen producerer kun minimalt luftbåren støv hvorved den tillader en sikker og ordentlig funktion, med mulighed for at skære i en dybde på 120 mm, med vinkelrette hjørner, hvilket gør den anvendelig til mange forskellige opgaver.

- Fjernelse af gl. mørtel for at forny mørtel.
- Fjernelse af enkelte mursten fra vægge.
- Skæring af mursten, uden skade til omliggende områder. Bearbejdning af murstens vægge. Fræse riller i vægge samt fræsning af huller til el rør og dåser.
- Skære huller i vægge og andre overflader.
- Afglatte hjørne indskæringer i vægge.
- Skære i snavset træ.
- Skære træ i jord.
- Fjernelse af træ rødder.
- Beskræring af træer.

**Værktøjet kan udstyres med et udvalg af skære blade egnede til forskellige formål.**

### **Definitioner: sikkerhedsretningslinjer**

Nedenstående definitioner beskriver sikkerhedsniveauet for hvert enkelt signalord. Læs vejledningen og vær opmærksom på disse symboler.

△ **FARE:** Angiver en umiddelbart farlig situation, der medmindre den undgås, vil resultere i død eller alvorlig personskade.

△ **ADVARSEL:** Angiver en potentielt farlig situation, der medmindre den undgås, kunne resultere i død eller alvorlig personskade.

△ **FORSIGTIG:** Angiver en potentielt farlig situation, der medmindre den undgås, kan resultere i mindre eller moderat personskade.

**FORSIGTIG:** Når det bruges uden sikkerhedsadvarselsymboler, angiver det en potentielt farlig situation, der medmindre den undgås, kan resultere i beskadigelse af ejendom.

△ Angiver risiko for elektrisk stød

△ **VIGTIGT:** FORKERT ANVENDELSE AF AS170 KAN FØRE TIL FORTIDLIGT SLITAGE OG BESKADIGELSE. VENLIGST LÆS BRUGER

INSTRUKTIONEN OMHYGGELIGT.

## 2. ALMINDELIGE SIKKERHEDS REGLER.

△ **ADVARSEL!** Læs alle instruktioner. Manglende overholdelse af alle nedenstående instruktioner kan medføre risiko for elektrisk stød, brand og/eller alvorlig personskade. Udtrykket elektrisk værktøj i alle de advarsler, der er angivet i det efterfølgende, henviser til elektrisk værktøj tilsluttet lysnettet (med el-ledning) eller batteridrevet (uden elledning) elektrisk værktøj.

GEM DISSE INSTRUKTIONER

### 1) **SIKKERHED I ARBEJDSOMRÅDET**

a) **Sørg for, at arbejdsområdet er rent og vel oplyst. Rodede eller mørke områder giver anledning til ulykker.**

b) **Undlad at bruge elektrisk værktøj i en eksplosionsfarlig atmosfære, f.eks. ved tilstedeværelse af brændbare væsker, gasser eller støv. Elektrisk værktøj skaber gnister, der kan antænde støvet eller dampene.**

c) **Hold børn og forbipassende på afstand, når der anvendes elektrisk værktøj. Distractioner kan medføre, at du mister kontrollen.**

### 2) **ELEKTRISK SIKKERHED**

a) **Stik på elektrisk værktøj skal passé til stikkontakten. Stikket må aldrig modificeres på nogen måde. Undlad at bruge adapterstik sammen med jordforbundet elektrisk værktøj. Umodificerede stik og dertil passende stikkontakter reducerer risikoen for elektrisk stød.**

b) **Undgå kropskontakt med jordforbundne overflader, så som rør, radiatorer, komfurer og køleskabe. Der er øget risiko for elektrisk stød, hvis din krop er forbundet til jord.**

c) **Undlad at udsætte elektrisk værktøj for regn eller våde forhold. Hvis der trænger vand ind i noget elektrisk værktøj, øges risikoen for elektrisk stød.**

d) **Undlad at udsætte ledningen for overlast. Brug aldrig ledningen til at bære, trække værktøjet eller trække det ud fra stikkontakten. Hold ledningen borte fra varme, olie, skarpe kanter og bevægelige dele. Beskadigede eller sammenfiltrede ledninger øger risikoen for elektrisk stød.**

e) Når elektrisk værktøj benyttes udendørs, skal der anvendes en forlængerledning, som er egnet til udendørs brug. Brug af en ledning, der er egnet til udendørs brug, reducerer risikoen for elektrisk stød.

f) Når elektriske værktøjer anvendes i fugtige lokaler ikke kan undgås, skal der anvendes forsyningsspænding fra en sikker forsyning. Anvendelse af en fejlstrømsafbryder (RCD) reducerer risiko af elektrisk stød.

### 3) PERSONLIG SIKKERHED

a) Vær opmærksom, pas på hvad du foretager dig, og brug sund fornuft, når du bruger elektrisk værktøj. Brug ikke elektrisk værktøj, når du er træt eller påvirket af narkotika, alkohol eller medicin. En øjeblikkelig uopmærksomhed under anvendelse af elektrisk værktøj kan forårsage alvorlig personskade.

b) Brug sikkerhedsudstyr. Brug altid beskyttelsesbriller. Sikkerhedsudstyr, så som støvmaske, skridsikre sko, sikkerhedshjelm eller høreværn, der bruges, når omstændighederne foreskriver det, reducerer personskader.

c) Undgå utilsigtet igangsætning. Kontrollér, at el-værktøjet er slukket, før du tilslutter det til strømtilførslen og/eller akkuen, løfter eller bærer det. Undgå at bære el-værktøjet med fingeren på afbryderen og sørg for, at el-værktøjet ikke er tændt, når det sluttes til nettet, da dette øger risikoen for personskader.

d) Fjern eventuelle justerings- eller skruenøgler, før elektrisk værktøj startes. En skruenøgle eller anden nøgle, der bliver siddende på en roterende del af elektrisk værktøj, kan give anledning til personskade.

e) Undlad at række for langt. Hold god fodstilling og balance til hver en tid. Dette giver bedre kontrol af elektrisk værktøj når uventede situationer forekommer.

f) Bær hensigtsmæssig påklædning. Bær ikke løst tøj eller smykker. Hold hår, tøj og handsker væk fra bevægelige dele. Løstsiddende tøj, smykker og langt hår kan blive grebet i bevægelige dele.

g) Hvis der anvendes støvudsugnings- eller -opsamlingsudstyr, skal dette tilsluttes og anvendes rigtigt. Brug af sådant udstyr kan mindske støvrelaterede helbredsrisici.

### 4) Elektrisk værktøj, anvendelse og pleje

a) Undlad at bruge magt med elektrisk værktøj. Brug det værktøj, der er bedst egnet til det arbejde, der skal udføres. Det rette værktøj får arbejdet gjort bedre og mere sikkert ved den belastning, som det er beregnet til.

b) Undlad at benytte elektrisk værktøj, hvis kontakten ikke tænder og slukker for det. Alt elektrisk værktøj, der ikke kan kontrolleres med kontakten, er farligt og skal repareres.

c) Træk stikket ud af stikkontakten, inden der foretages eventuelle justeringer tilbehør udskiftes, eller værktøjet stilles til opbevaring. Sådanne forebyggende sikkerhedsforanstaltninger mindsker risikoen for, at værktøjet startes utilsigtet.

d) Elektrisk værktøj skal, når det ikke anvendes, opbevares utilgængeligt for børn, og personer, som ikke er bekendt med elektrisk værktøj eller disse instruktioner, må ikke betjene værktøjet. Elektrisk værktøj er farligt i hænderne på personer, som ikke er instrueret i brugen deraf.

e) Vedligeholdelse af elektrisk værktøj. Undersøg, om bevægelige dele sidder skævt, binder eller er gået itu så vel som andre forhold, der kan påvirke betjeningen af værktøjet. Hvis elektrisk værktøj er beskadiget, skal det repareres før brug. Mange ulykker forårsages af dårligt vedligeholdt værktøj.

f) Sørg for, at skæreværktøj er skarpt og rent. Ordentligt vedligeholdt skæreværktøj med skarpe skærekanter har mindre sandsynlighed for at binde og er lettere at styre.

g) Brug elektrisk værktøj, tilbehør, bor osv. i rensstemmelse med disse instruktioner og på den måde, som det er hensigten med det pågældende værktøj, idet der tages hensyn til arbejdsforholdene og til den opgave, som skal udføres. Brug af elektrisk værktøj til andre opgaver end dem, det er beregnet til, kan resultere i en farlig situation.

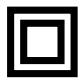
### 5) Service

a) Elektrisk værktøj skal serviceres af en kvalificeret servicetekniker, og der skal anvendes identiske reservedele. Derved sikres, at værktøjets driftssikkerhed opretholdes. NOTE: Referer til oversigten (sektion 5) for en liste over udskiftelige dele.

### 3. SÆRLIGE SIKKERHEDSREGLER

1. **Hold værktøjet på de isolerede greb når der er mulighed for at skærebladet kan komme i kontakt med skjulte el-kabler eller værktøjets egen forsyningskabel. Kontakt med et "levende" kabel kan forårsage at maskinens metal dele bliver "levende" og give stød til operatøren.**
2. **Fjern justeringsværktøjet så som Allen(sekskantnøgler) og skruenøgler før værktøjet anvendes.**
3. **Brug ikke værktøjet med tilbehør, bortset fra de anbefalede i denne instruktions manual.**
4. **Anvend kun værktøjet med den rette spænding, som er specificeret på værktøjsskiltet.**
5. Start aldrig værktøjet under belastning. Start værktøjet før skæringen startes.
6. Start aldrig værktøjet med fingre eller andre genstande placeret i bladenes huller.
7. **Vær forsigtig med at håndtere bladene under og efter anvendelse. Bladene og nogle områder på saven kan blive meget varme i brug.**
8. Vær forsigtig med at der ikke er farlige emner så som elektriske kabler, rør og isolering i området der skal skæres.
9. **Tillad en hvile periode, for at nedsætte effekten af vibrationerne af værktøjet. Anvend arbejdshandsker for at minimere vibrationernes effekt på kroppen.**
10. **Sikrer at støv udsugnings udstyret er forbundet rigtigt og anvendt ordentligt.**
11. **Hold håndtagene tørre, rengør og hold fri for olie og smørrefedt.**
12. **Hvis beskyttelses paneler og andre dele ser ud til at være beskadigede, skal det undersøges for at se om alt virker som det skal, og opfylder de ønskede funktioner.**
13. Anvendelse af tilbehør bortset fra de anbefalede i instruktionen kan være risikabelt og medføre personlig skade.
14. Værktøjet skal ikke presses for hårdt, Det er beregnet til moderat tryk. Overbelastning af drev systemet og motoren kan ske hvis værktøjet er overbelastet.
15. Brug begge hænder når der arbejdes med saven.

SYMBOLER: Følgende viser symboler der er anvendt i manualen.

	Klasse 2 konstruktion (dobbelt isolerede) anvendt overalt, ingen mulighed for jordforbindelse
VAC	volt velselstrøm
A	ampere
Hz	hertz
W	watt
N <sub>0</sub>	ubelasted hastighed
rpm	omdrejninger per minut
dB	decibels
Nm	newton meters
m	meters
m/s	meter er sekund
mm	millimeters
kg-m	kilogram meters
ft-lb	fod/pund

## 4. FUNKTIONS BESKRIVELSE

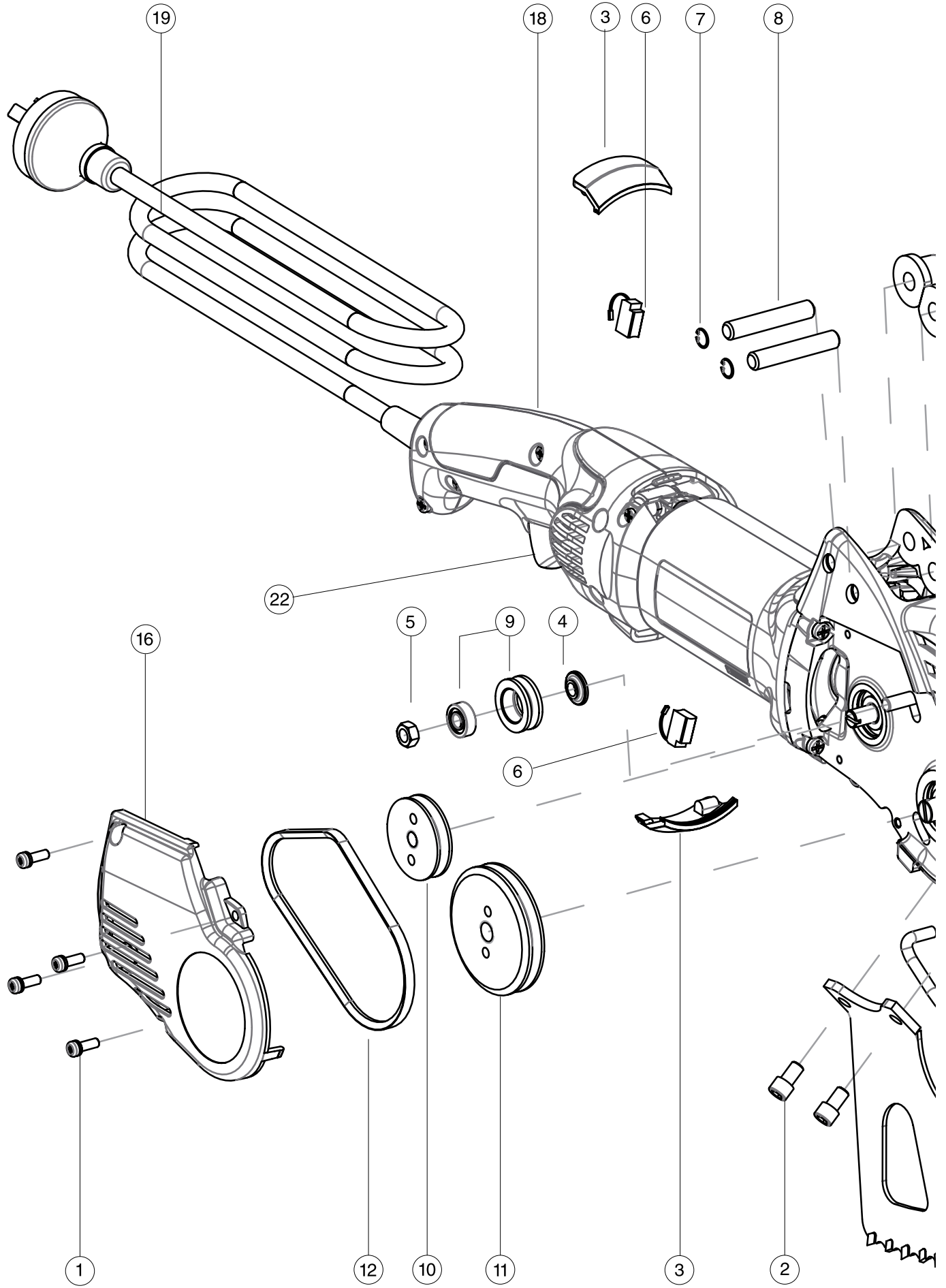
### 4.1 AS170 VÆRKTØJS BESKRIVELSE

AS170 er beregnet til at skære i solide materialer så som mørtel, brændte ler mursten, gipsplader, Fiberpladertræfiberplader, træfacade beklædning og tømmer. AS170 anvender et antal forskellige skære blade egnede til at skære i det materiale der skal skæres. Bladene kan også skiftes for at tilpasses det ønskede krav.

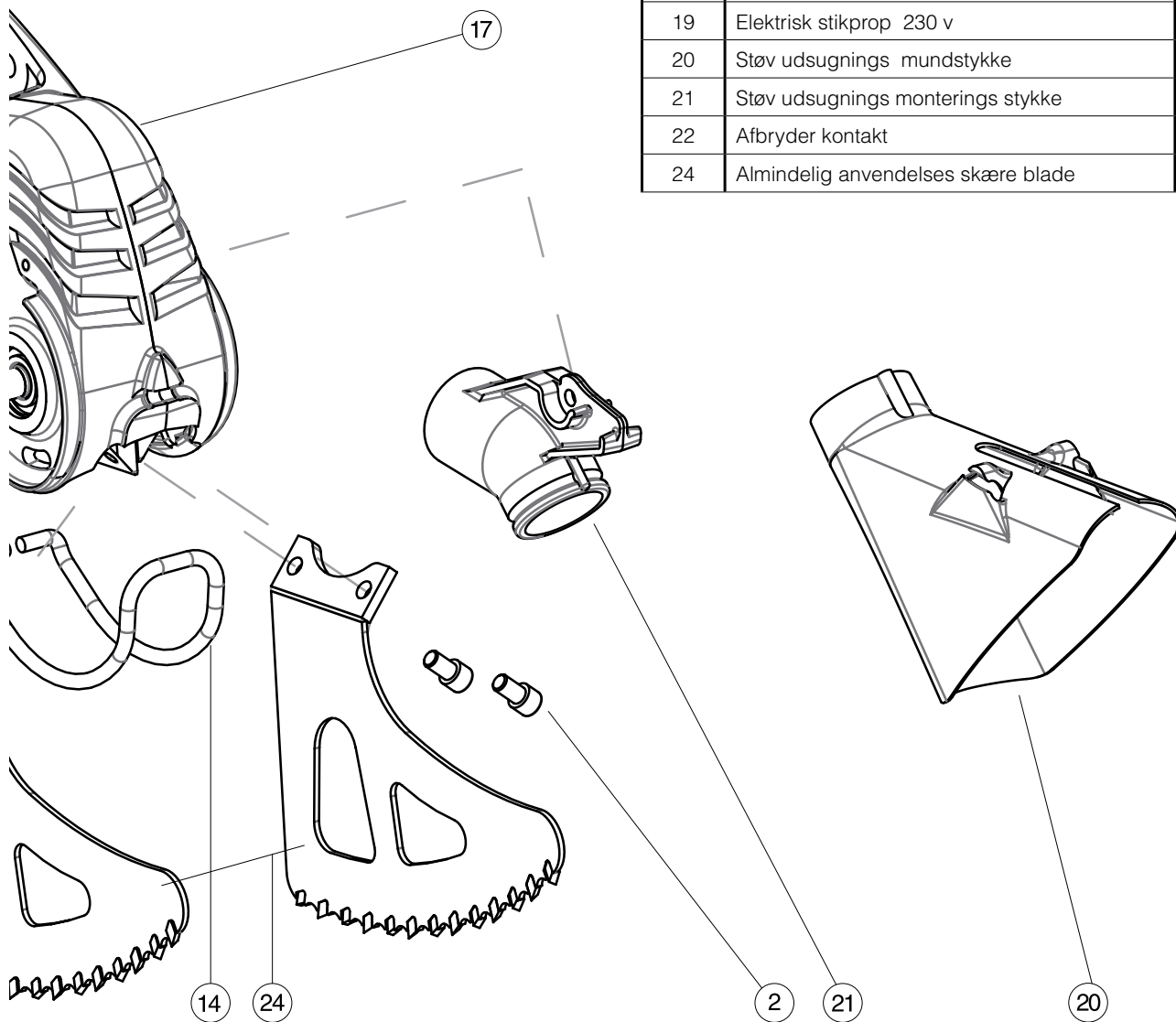
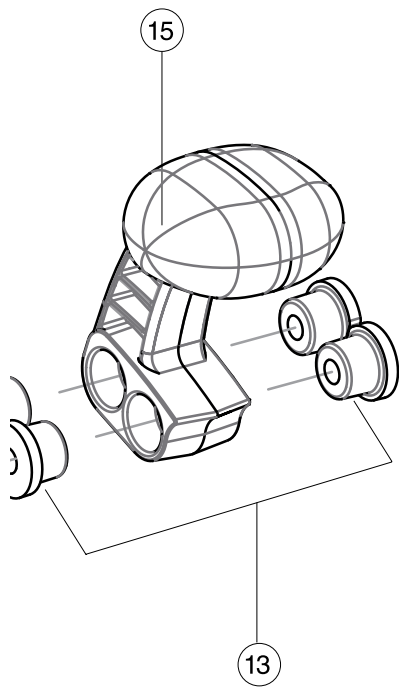
Skærebladene drives via plejlstang og knastaksel, drevet via drivrem. Drivremmen er beregnet til remslip, hvis skærebladene sidder fast. REM STRAMNINGEN MÅ UNDERSØGES EFTER DE FØRSTE 5 TIMERS ANVENDELSE. Det er let at justere stramningen ved at fjerne plastik dækslet, og stramningen foretages ved at justere tomgangs remskiven. Skære bladene er monteret på plejlstængerne ved hjælp af høj moment Sekskant (Unbrako) hoved bolte.

En udskiftelig metal afskærmning er inkluderet for at begrænse den maksimale skære dybde, og undgå at bladene beskadiger overfladen af de materiale der skæres i. Chok og vibrationer der påvirker operatøren, reduceres af et gummimonteret håndtag. Top håndtaget er formgivet for at sikre god komfort når værktøjet anvendes i forskellige stillinger. Gummi bøsningerne på top håndtaget kan udskiftes, hvis de bliver beskadigede eller

# 5 OVERSICHT



DAN



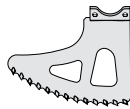
1	Skrue - driv rem dæksel M4 X 12	4
2	Skrue - Skære blade M6 X 10	4
3	Børste - dæksel	2
4	Spændskive	1
5	møtrik - nylon .M6	1
6	Børste - Kulstof	2
7	Clips - internt	2
8	Pind	2
9	Remskive - stramme skive inkl. Bearing - 696	1
10	Remskive - motor	1
11	Remskive - drev	1
12	Kilerem	1
13	Bøsning	4
14	Dæksel	1
15	Håndtag - top	1
16	Dæksel - kilerem	1
17	hus	1
18	motor	1
19	Elektrisk stikprop 230 v	1
20	Støv udsugnings mundstykke	1
21	Støv udsugnings monterings stykke	1
22	Afbryder kontakt	1
24	Almindelig anvendelses skære blade	1

slide.

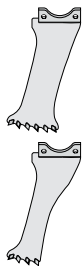
## 4.2 SKÆRE BLADE BESKRIVELSE

AS170 anvender forskellige blade til at skære forskellige materialer og forskellige profiler.

**Standard Sav blade er forsynet med Hårdmetals tænder og er egnede for normal arbejde i murværk og som basis skære blade, til at skære op til en dybde af 115mm.**



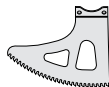
**Mørtel dybde blade er forsynet med hårdmetals tænder og har en maksimal skære dybde på 120mm. Mørtel dybde blade kan skære en spalte på 75mm længde (standard murstens højde) Afbryder dåse blade er forsynet med Hårdmetals tænder og har en maksimal skære dybde på 115mm, egnede for at skære huller for montering af Dåser for afbrydere eller stikkontakter i gips plader eller mursten/murværk.**



**Mørtel skære blade for at fjerne mørtel mellem mursten ved restaureringsarbejde og rensning Af fugerne.**



**Træ sav blade er brugt til at skære rent træ og har en maksimal skære dybde på 110 mm.**



**NOTE: Alle skære blade kan slibes hvis de ikke er for slide.**

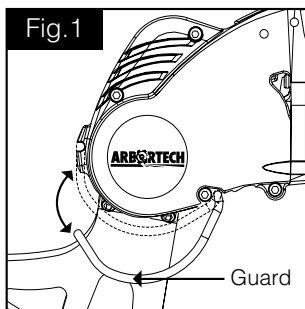
D  
A  
N

## 6. OPSTART AF VÆRKTØJ

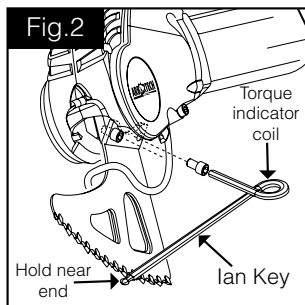
### 6.1 OPSTART AF VÆRKTØJ

AS 170 er leveret klar til brug. I visse tilfælde skal bladene skiftes til det ønskede arbejde.

Før bladene udskiftes, skal beskyttelses stangen foran blad monteringen forsigtig presses ud af falsen foran på værktøjet og drejet for at give adgang til dæksel skrue. Se fig. 1



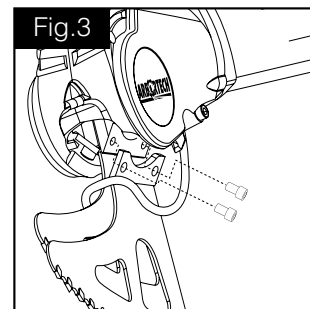
Anvend den hexagonale nøgle til at løsne og fjerne skrue der holder skære bladene, derefter fjern bladene som vist i fig.2



Vælg de ønskede blade til skære opgaven, og monter hver med deres dæksel skrue og spændskiverne. Vær sikker på at overfladerne på blad monterings underlaget, plejlstang gevind og skrueerne er rene og uden murstøv og smøremiddel af enhver art før de samles. • Se efter om beskyttelses stangen kan lukkes før bladene samles med plejlstangen. Se fig. 2

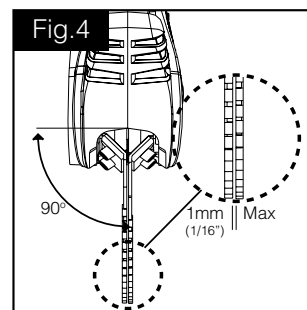
**Bemærk:** Der skal altid anvendes et parret sæt af skære blade. Man skal aldrig benytte brugte blade med nye blade. Anvend kun bolte der er leveret med værktøjet.

Anvend den hexagonale nøgle (se fig.2) til at stramme skæreblads skrueerne indtil torque indikatoren strammes således at begge sider mødes. Hexagon nøglen vil stramme boltene til den rekvirerede 18 Nm



**NOTE:** Skærebladene er en forbrugsdel. Ved normalt brug kan bladenes levetid være afhængigt af hårdheden af det materiale der er skåret.

**ADVARSEL:** anvend ikke maskinen hvis bladene er løse. Hvis der køres med maskinen medens bladene er løse vil det betyde at der sker alvorlig skade til monteringen og boltene, der vil kræve reparation.



Efterse at tænderne på skærebladene lettere berører hinanden. Eller er indenfor 1 mm at at berøre.

Hvis gabet mellem bladene er for stort, fjerne bladene og forsigtigt bøj dem ind for at fjerne gabet.

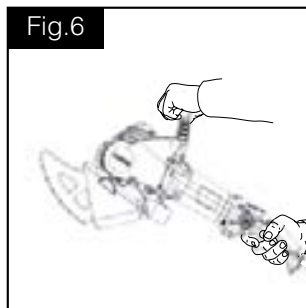
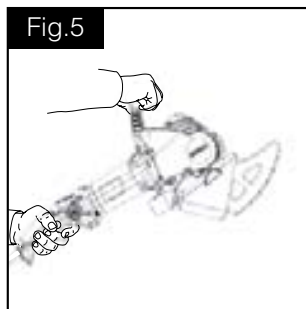
Sørg for at begge blade er rettet ind vertikalt i forhold til værktøjet. Se fig. 4

**Advarsel:** Hvis bladene gnider mod hinanden bortset fra indenfor 25 mm af den skærende kant, eller kontakt kraften er høj, er det muligt at overbelaste værktøjet og forårsage. Sving beskyttelses stangen ind i falsen foran på værktøjet og pres på plads. Se fig. 1

### 6.2 DRIFTS VEJLEDNING



△ **NOTE:** Under arbejdet med AS170, kan der opleves hånd/arm vibrationer, som kan resultere i træthed og ubehag efter længere perioder af kontinuerlig anvendelse. Vibrationerne vil øges ved arbejde med hårde materialer. Lad være med at arbejde med værktøjet hvis det føles ubehageligt, og vær sikker på at få hvileperioder når der skæres. For yderligere information, kontakt fabrikanten.

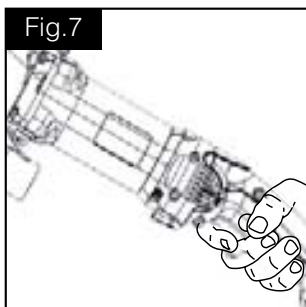


Før forsøg på at anvende Værktøjet, skal sikkerhedssektionen af denne vejledning gennemlæses.

Anvend beskyttelses værn for støj, åndedræt, øjne og legemsdele når behovet opstår.

Med skærebladene sikrede og afbryderes i OFF position, placer stikker i stikkontakten.

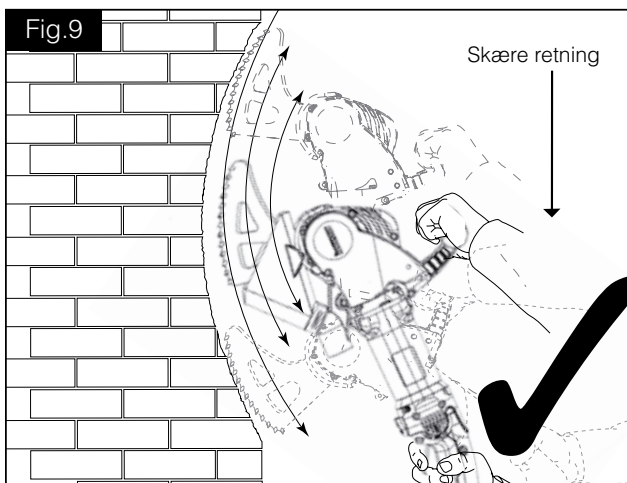
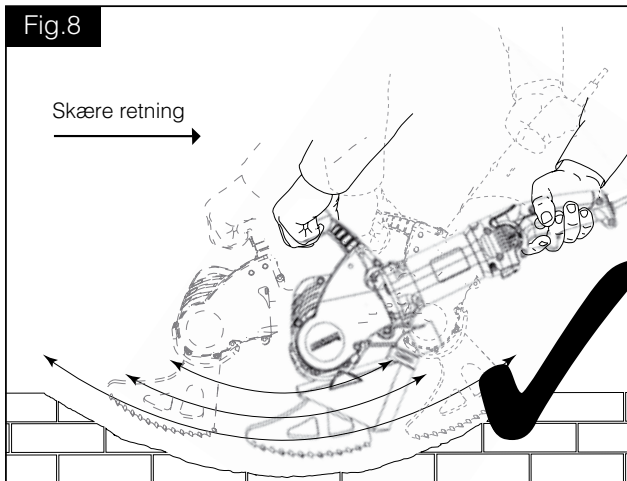
**Advarsel:** Lad være med at blokere køleluft spalterne og undgå at tillade at støv eller snavs bliver suget ind ved den bageste ende af motoren da dette kan medføre at motoren overheder. Hvis der arbejdes under støvede forhold, anbefales det at luftspalterne renses med trykluft. (se fig. 7)



Hold Værktøjet med begge hænder på top håndtaget og motor huset, på en behagelig måde for at udføre arbejdet. (se fig. 5 & 6)

For at starte skæringen, hold værktøjet fast i begge hænder, og skær med midten af bladene mod genstanden der skal skæres, retningen af skæret er mod bagsiden af bladene.

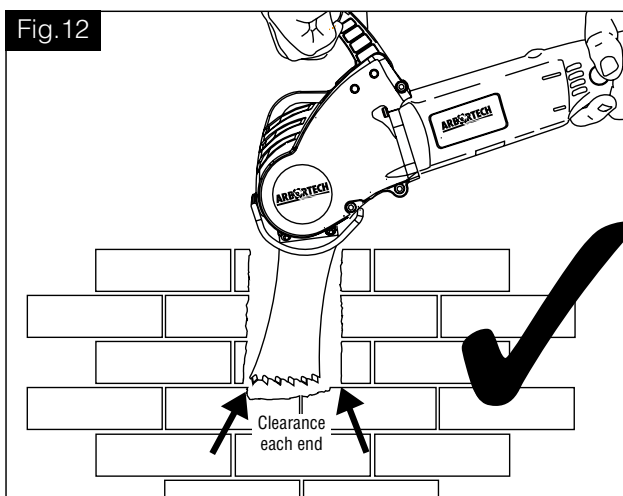
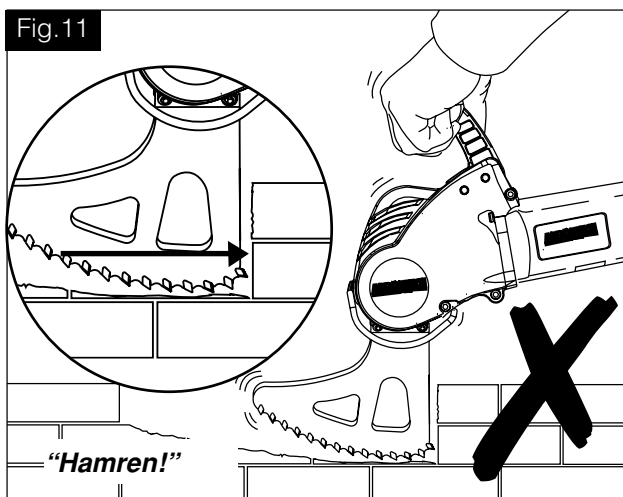
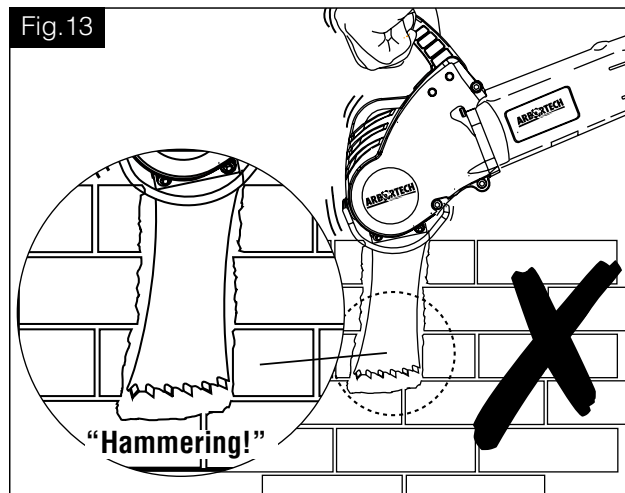
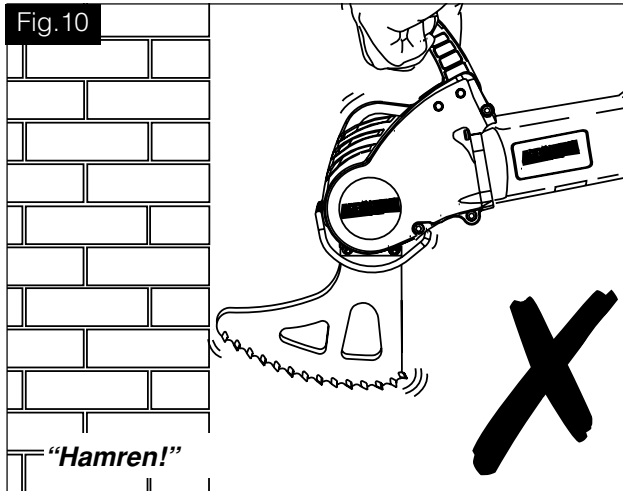
Medens man skærer, bevæg værktøjet og bladene i en langsom savende bevægelse, dette forbedrer skæreydelsen, reducerer koncentreret varme opbygning og sikrer jævn slitage af bladene. (se fig. 8 & 9)



**Advarsel:** Tillad ikke den fremadrettede eller bageste ende af bladene at hamre på overflader (vist i fig. 10, 11 og 13) da dette vil beskadige bladene og værktøjet. Hvis en utilsigtet hamren sker, stands værktøjet eller træk det fra skæret øjeblikkeligt.

Ved brug skal det undgås at bladene hamrer ind i enden af skæret ved at anvende en langsom vuggende bevægelse. For at få den bedste virkning, skal man sikre at det kun er tænderne der har kontakt med arbejdsemnet.

**Advarsel:** Vær forsigtig når værktøjet sættes ned, for undgå at beskadige hårdmetal tænderne.



Når man anvender mørtel dyk bladet, skal hullet være stort nok og der skal være luft i hver side (vist fig. 12) for at sikre at bladet ikke hamrer. (som vist fig. 13)

## 7. VEDLIGEHOLD

△ **ADVARSEL:** For at reducere risikoen a personlig skade, skal værktøjet altid være afbrudt fra kraftforbindelsen før der justeres eller før der fjernes/installeres ekstra udstyr og tilbehør. Før tilslutning til kraft, tryk på afbryder knappen for at sikre at værktøjet er i afbrudt stilling.

For at sikre produktets SIKKERHED og PÅLIDELIGHED, skal reparationer og vedligehold og justeringer (inklusiive børste inspektion) udføres af en ARBORTECH autoriseret service center. Der skal altid anvendes identiske reservedele.

### 7.1 MOTOREN

#### Rensning

**FORSIGTIG:** Når der blæses støv og partikler ud af motoren og afbryderen skal der anvendes tør og ren trykluft til regelmæssigt vedligeholdelses procedure. Støv og snavs partikler kan ofte akkumulere på interne overflader og kan forårsage tidlig fejl.

△ **FORSIGTIG:** ALTID BÆR SIKKERHEDS BRILLER når man anvender og renser værktøjet. Brug aldrig opløsningsmidler og andre kraftige kemikalier for at rengøre ikke-metal dele af værktøjet, anvend kun en tør klud.

#### Smøring

ARBORTECH værktøjer er forsvarlig smurte fra fabrikken og er klar til anvendelse.

#### Tilbehør

For at reducere risikoen af skade, er det kun ARBORTECH tilbehør der må anvendes med dette produkt. Anbefalede tilbehør komponenter til dette

værktøj kan købes hos deres lokale forhandler eller autoriserede service center.

## Reparationer

Hvis du har brug for hjælp til at lokalisere et tilbehør, eller generelle spørgsmål vedrørende værktøjet, kontakt venligst ARBORTECH CENTER

### Børster (Kulstof)

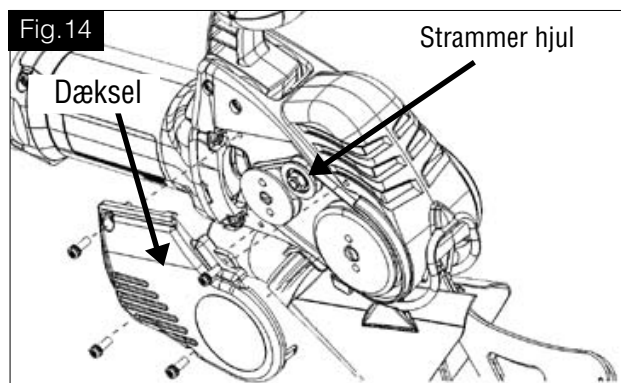
AS170 er monteret med auto-cut off børster. Når børsterne er slidt under minimum længde vil de standse værktøjets funktion, og derved undgå at beskadige motor skade internt. Kontakt den lokale forhandler og autoriserede service center for udskiftning af børsterne.

## 7.2 V -driv rem og remskiver

**ADVARSEL:** v-DRIV REMMEN skal justeres efter de første 5 timers drift.

En reserve driv rem er blevet forsynet sammen med dette værktøj. Driv remmen er designet så den virker som en kobling/sikring for at beskytte skære bladene hvis de går fast.

For at servicere disse dele, fjern 4 skruer der holder plastik dækket på den højre side af værktøjet (se fig. 15) Inspicer driv remmen for at se den rette spænding og tegn for skade. Hvis remmen skal strammes, løsne stramme skruen (kun 1 omdrejning) drej stramme hjulet udad for øge spændingen til den anvist i specifikationerne i sektion 3 og stram til.

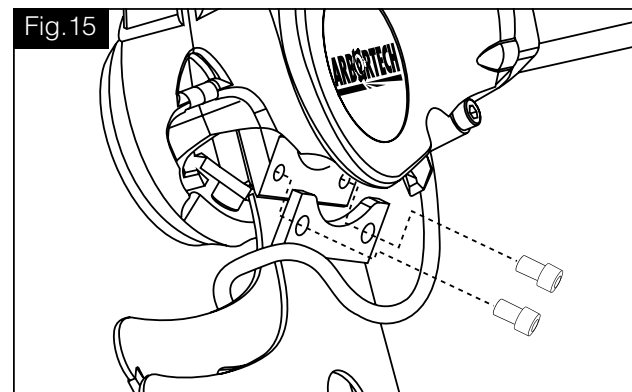


Hvis for meget slip er sket kan remskiverne slides. En skidt remskive vises ved at rillen i remskiven ikke stadig har sin veldefinerede "V" facon. For at udskifte remskiverne kontakt jeres ARBORTECH autoriserede service center.

### 7.3 Skæreblade monterings bolte og gevind

Skærebladens maskinskrue bør med mellemrum

inspiceres for at sikre rette torque (18 Nm). Når bladene udskiftes skal maskinskrue og conrod gevind inspiceres for slitage og snavs eller beskadigelse. Anvend kun ARBORTECH reservedele og tilføj ikke olie til skrue eller gevind eller conrod overflader.



**CAUTION:** DO NOT operate the tool with loose blades. If blades should come loose while operating, the blade mounts and threads can become damaged, requiring significant repairs to the tool.

## 7.4 Tænder skarphed

Under brug vil skærebladene blive sløve og evnen til at skære vil formindskes. Bladene kan stort set restaureres ved at slibe tænderne. For at slibe tænderne anvend ARBORTECH slibe disk (BLA. FG.SHARPOO1) når nødvendigt, hvis meget hårde materialer skæres, kan tænderne blive chipped eller brække af, bladene kan stadig anvendes, men skæreevnen er reduceret.

Hvis blåfarvning på bladens periferi sker, er det fordi bladene løber for varme. Dette sker hvis bladene bliver for slidte, for meget kraft anvendes, for lidt "fej" bevægelse af operatøren, eller materialet er for hårdt.

VIGTIGT. For at sikre optimal funktion og reducere belastning af motoren, bør bladene være holdt skarpe.

## 8. TILBEHØR

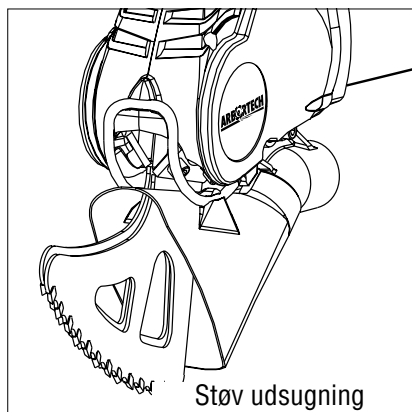
### 8.1 Støv udsugning

AS170 bør udstyres med en støv udsugnings tragt, som i betydelig grad reducerer luftbåren og tungt støv, hvis anvendt korrekt. Den består af et beslag, som fastgøres til den nederste side af Aluminiums huset, og en justerbar udsugnings tragt, som kan udskiftes når den bliver slidt. Støv udsugning

beslaget har et standard 30mm (1 3/16") hul diameter.

**NOTE:** Manglende anvendelse af støv udsugningen når der skæres i murværk, kan forårsage unødigt slitage på de elektriske komponenter. Skade på grund af støv, kan føre til for tidlig fejl på motoren, og derved påvirke garantien på værktøjet.

**Advarsel:** Vær sikker på at den støvsuger der anvendes har et filter system der er egnet til det materiale der skæres. Fejlagtig filtrering kan resultere i mulig skade på støvsugeren.



DEL	SPECIFIKATION
Nominel operationstid	230-240 VAC, 50Hz, 1250W (Australia) 230 VAC, 50 Hz (Europe) 110 - 120 VAC, 50-60 Hz 13A (USA/CANADA/UK Industrial)
Støv udsugnings slange montering	25mm (1"), 32mm (1 1/4"), 37mm (1 3/8")
Rem spænding	1 mm , maximalt midt belt afvigelse ved 25N tryk kraft
Blad monterings skrue til spændings momen	18 Nm (1.8 kg-m), (13.2ft-lb), smøremiddel

TEKNISKE DATA	
Vibrations niveau	7.7 m/s <sup>2</sup>
Støj	92db

Den deklarerede vibrations niveau er baseret på målinger der repræsenterer hoved applikations funktioner af værktøjet. Men hvis værktøjet anvendes anderledes med andre tilbehør og er i dårlig vedligeholdelses stand, kan vibrations emmissionerne være anderledes. Dette kan i betydelig grad øge udsættelse for vibrationer , og det bør indgå i beregningerne for niveauet af hvornår driften af værktøjet er i on/off funktion. identifikation af flere sikkerhedsmål, for at beskytte operatøren fra effekten af vibrationerså som at vedligeholde værktøjet og tilbehør, holde hænderne varme. organisere arbejds mønstre.

Værdierne her , indikerer kun støjen fra denne maskine. Om operatøren skal bære høreværn, kan ikke afgøres her. Dette afhænger af hvor megen støj der når operatørens øre. Selv om det ikke er krævet, er det i din egen interesse at bære høreværn når maskinen kører.



## 9. SPECIFIKATIONER

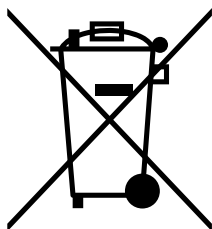
DEL	SPECIFIKATION
Maksimal skære dybde	120mm (4 3/4")/6.5mm (1/4"), (med mørtel dybde)
Vægt med skære blade	4.3kg (9.5lb)
Dimensioner uden blade	450 mm (17 7/8") L 75 mm (3") W 240 mm (9 1/2") H
Ubelastet hastighed n <sub>0</sub>	5100 rpm

## 10. GARANTI OG SERVICE

For reparationer under Garanti og udskiftnings dele  
Kontakt: deres forhandler,  
eller  
Undersøg vor hjemme side [www.arbortech.eu](http://www.arbortech.eu) for at  
lokalisere din lokale service agent

### **Bortskaffelse**

Gælder kun i EU-lande: Smid ikke el-værktøj ud sammen med det almindelige usholdningsaffald! Iht. det europæiske direktiv 2002/96/EF om affald af elektrisk og elektronisk udstyr skal kasseret elektrisk udstyr indsamles separat og genbruges iht. gældende miljøforskrifter.



### **Deklaration af konformitet**

Vi deklarerer herved at produktet AS170 Mursten og Mørtel Sav, beskrevet under "Specifikationer" opfylder følgende standarder og standardization dokument EN 60745 i henhold til Maskin direktiv 1006/42/EC.

Teknisk fil ved:  
Arbortech PTY LTD  
67 Westchester Road  
Malaga, WA 6090

Kevin Inkster  
Chairman  
Arbortech Pty Ltd

Arbortech PTY LTD  
67 Westchester Road  
Malaga, WA 6090

Sven Blicks  
Commercial Director  
Arbortech Pty Ltd

D  
A  
N

## 11. FEJLFINDING

Denne fejlfindings diagnose er beregnet til personer der er bekendte med mekaniske genstande, og giver en grundlæggende evne til at vedligeholde dette værktøj. For at korrigere bruger fejl anvendelse referer til vedligeholdelses afsnittet af denne instruktions bog. De mere komplekse reparationer er noteret herunder, skal udføres af et autoriseret service center.

NR.	SYMPTOM	UNDERØG/REPARER
1	Motor overheder	<ul style="list-style-type: none"> <li>• Kontroller at alle køle spalter ikke er tildækkede af operatørens hånd, bløde gribe krave, snavs i ventilation luft indtag eller andet. Rengør og fjern snavn eller støv</li> <li>• Se til at bladene ikke gnider mod hinanden med for stor Kraft enten ved den skærende ende eller tæt på blad Monterings soklen.</li> <li>• Bladene kan være slidte og Overhededede. Udskift efter behov.</li> <li>• Se på kilerems stramningen, at den ikke er for stram.</li> <li>• Se efter om lejerne ikke er brudt sammen, ved at fjerne side dæksel og kilerem, og roter begge kileremskiver og undersøg ujævnheder. Kileremskiverne bør køre let og støjfrit. Den drevene remskive vil føles fjedrende, og ønske at stå i en af to stillinger. Sikker at motor huset er sikkert med værktøjet.</li> <li>• Hvis løstHenvend dem til autoriseret service center øjeblikkeligt.</li> </ul>
2	Støjende gang eller usædvanlige vibrationer	<ul style="list-style-type: none"> <li>• Bladene kan være løse, stram blad monterings bolte.</li> <li>• Bladene er fejl behæftede – udskift blade sæt.</li> <li>• Blad fjeder fejl – kontakt autoriseret service center.</li> <li>• Leje fejl - kontakt autoriseret service center.</li> <li>• Gear fejl – kontakt autoriseret service center.</li> <li>• Håndtag gummi bøsninger beskadigede eller slidte, udskift.</li> </ul>
3	Håndtag gummi bøsninger beskadigede eller slidte	<ul style="list-style-type: none"> <li>• udskift</li> </ul>
4	En eller to Plejstænger/blade Løse selv når Boltene er strammet	<ul style="list-style-type: none"> <li>• Blad fjeder fejl – kontakt autoriseret service center.</li> </ul>
5	Motor kører og bladene bevæger sig ikke	<ul style="list-style-type: none"> <li>• Løs kilerem eller knækket kilerem - stram op eller udskift nødvendig kilerem.</li> </ul>
7	Bladene bliver ofte løse	<ul style="list-style-type: none"> <li>• Undersøg skærebladens skruehuller, hvis hullerne er ovale udskift bladene.</li> </ul>
8	Slidte kileremsskiver	<ul style="list-style-type: none"> <li>• Kontakt ARBORTECHs autoriserede service centre.</li> </ul>
9	Langsom skæring	<ul style="list-style-type: none"> <li>• Tænderne er slidte, skårede eller tabte, Slib eller udskift bladene.</li> <li>• Kilerem glider – se symptom 4.</li> </ul>
10	Blade gnider sammen med unødvendig kraft	<ul style="list-style-type: none"> <li>• Forsøg på at skære materiale der er for hårdt.</li> </ul>
11	Blade gnider sammen med unødvendig kraft.	<ul style="list-style-type: none"> <li>• Fjern bladene og bøj den svagt for at korrigere.</li> </ul>
12	Bladenes tænder er skårede eller tabt.	<ul style="list-style-type: none"> <li>• Til tider kan der mødes hårdt materiale eller tænderne kan have ramt hårdt materiale.</li> <li>• Forsigtighed bør udvises ved ikke at sætte tænderne ned på hårdt materiale eller ligge løse i værktøjskasse.</li> <li>• Slidte blade vil blive meget varme i visse områder, dette vil forårsage at tænderne bøjes - udskift bladene.</li> <li>• Materialet er for hårdt.</li> </ul>
13	Løst top håndtag.	<ul style="list-style-type: none"> <li>• Slidte eller beskadigede gummi bøsninger – udskift.</li> </ul>

NR.	SYMPTOM	UNDERØG/REPARER
14	Blade blånløbes.	<ul style="list-style-type: none"> <li>• Slidte tænder – udskift bladene.</li> <li>• For megen kraft anvendes.</li> <li>• Manglende save bevægelse af brugeren.</li> <li>• Materialet er for hårdt.</li> </ul> Bladene gnider sammen med for stor kraft (se afsnit 8).
15	Blade dæksel skruer Dækselskruer vil ikke stramme nok.	<ul style="list-style-type: none"> <li>• Gevind på skruerne er beskadiget, Udskift skruerne.</li> </ul>
16	Gevind på værktøjet beskadiget	<ul style="list-style-type: none"> <li>• Kontakt din ARBORTECH autoriserede service center</li> </ul>
17	Værktøj vil ikke starte.	<ul style="list-style-type: none"> <li>• AS170 er udstyret med automal cut-off børster.</li> <li>• Inspicer børsterne og se om de er beskadiget eller slidte- udskift Kontakt dit ARBORTECH service center.</li> </ul>

D  
A  
N





## GEBRUIKERSHANDLEIDING

Lees deze handleiding aandachtig door, zodat u goed weet hoe het apparaat werkt en hoe het moet worden onderhouden. Als u de AS170 op de juiste wijze gebruikt, zal deze jarenlang meegaan en u tijd en geld besparen.



*Volledig dubbel geïsoleerd, zonder  
voorziening voor randaarde.*



**AS170**  
BRICK + MORTAR SAW

## INHOUDSOPGAVE

	PAGE
1. INLEIDING	2
2. ALGEMENE VEILIGHEIDSREGELS	2-3
3. SPECIFIEKE VEILIGHEIDSREGELS	4
4. FUNCTIONELE BESCHRIJVING	7
4.1 Beschrijving van het apparaat	7
4.2 Beschrijving van het zaagblad	7
5. MONTAGE	5-6
6. BEDIENING	7
6.1 Opstelling	7-8
6.2 Bediening	8-10
7. ONDERHOUD	10
7.1 Motor	10
7.2 V-riem en riemschijven	11
7.3 Bevestigingsbouten zaagblad en schroefdraden	11
7.4 Bovenste handvat en rubberen bussen	11
8. HULPSTUKKEN	12
8.1 Stofafzuiging	12
9. SPECIFICATIES	12-13
10. PROBLEMEN OPLOSSEN	13
11. GARANTIE EN SERVICE	14-15

Lees deze instructies door voordat u uw AS170 steen- en mortelzaag in gebruik neemt.

## 1. INLEIDING

De Arbortech AS170 is ontworpen en gefabriceerd in Australië, waarbij gebruik is gemaakt van de meest hoogwaardige materialen en productieprocessen.

Dankzij de unieke gepatenteerde orbitale zaagbeweging van de twee heen-en-weergaande zaagbladen kunnen steen, mortel en metselwerk sneller gezaagd worden dan met traditionele heen-en-weergaande zaagbladen.

Deze zaagbeweging veroorzaakt bovendien minimale hoeveelheden stof in de lucht, biedt een veilige en beheersbare bediening en maakt het mogelijk om te zagen tot een diepte van 120 mm (5"), vierkante hoeken te zagen en om uitsparingen te maken van diverse afmetingen. De AS170 is uitstekend geschikt voor meerdere klussen zoals:

- het verwijderen van en/of het zagen in cement voor het afwerken van voegwerk van bakstenen.
- het verwijderen van een enkele baksteen uit een muur.
- het zagen van bakstenen zonder het aangrenzende gebied te beschadigen of barsten te veroorzaken, het hechten, verbinden of vertanden van stenen muren, het maken van sleuven in muren voor leidingen enz.
- het zagen van gaten in muren en andere oppervlakken.
- het afwerken van hoeken in muren.
- het zagen in onbewerkt hout.
- het zagen van hout in de grond.
- het verwijderen van boomwortels.
- het snoeien van bomen.

**Het apparaat kan voor diverse toepassingen worden uitgerust met een serie zaagbladen.**

### **Definities: Veiligheidsrichtlijnen**

De onderstaande definities beschrijven de mate van ernst voor elk signaalwoord. Let op deze symbolen bij het lezen van de handleiding.

⚠ **GEVAAR:** Wijst op een dreigende gevaarlijke situatie die, als deze niet wordt vermeden, ernstig of dodelijk letsel tot gevolg heeft.

⚠ **WAARSCHUWING:** Wijst op een mogelijk gevaarlijke situatie die, als deze niet wordt vermeden, ernstig of dodelijk letsel tot gevolg kan hebben.

⚠ **VOORZICHTIG:** Wijst op een mogelijk gevaarlijke situatie die, als deze niet wordt vermeden, klein of matig letsel tot gevolg kan hebben.

**VOORZICHTIG:** Bij gebruik zonder het veiligheidsalarmsymbool wijst dit op een mogelijk

gevaarlijke situatie die, als deze niet wordt vermeden, schade aan eigendommen tot gevolg kan hebben.

⚠ Duidt op het risico op een elektrische schok.

⚠ **BELANGRIJK ONJUIST GEBRUIK VAN DE AS170 KAN VROEGTIJDIGE SLIJTAGE EN/OF SCHADE VEROORZAKEN. LEES DEZE GEBRUIKERSHANDLEIDING AANDACHTIG DOOR OM EEN CORRECTE WERKING TE VERZEKEREN.**

## 2. ALGEMENE VEILIGHEIDSREGELS

⚠ **WAARSCHUWING!** Lees de gehele handleiding door. Het niet opvolgen van alle onderstaande aanwijzingen kan leiden tot elektrische schokken, brand en/of ernstig persoonlijk letsel. De term "elektrisch gereedschap" in alle onderstaande waarschuwingen heeft betrekking op uw elektrisch aangedreven (met snoer) gereedschap of door een accu aangedreven (zonder snoer) gereedschap.

BEWAAR DEZE HANDLEIDING

### 1) **Werkgebied**

a) **Zorg dat het werkgebied schoon en goed verlicht is. Rommelige of donkere plekken vragen om ongelukken.**

b) **Gebruik geen elektrisch gereedschap in een explosieve omgeving, zoals in de nabijheid van brandbare vloeistoffen, gassen of stof. Elektrisch gereedschap veroorzaakt vonken die het stof of de dampen kunnen doen ontbranden.**

c) **Houd kinderen en toeschouwers op een afstand tijdens het gebruik van elektrisch gereedschap. Afleiding kan controleverlies veroorzaken.**

### 2) **Elektrische veiligheid**

a) **Stekkers van elektrisch gereedschap moeten bij het stopcontact passen. Pas de stekker op geen enkele manier aan. Gebruik geen verloopstekkers voor geaard elektrisch gereedschap. Ongemodificeerde stekkers en bijpassende stopcontacten verminderen het risico op elektrische schokken.**

b) **Vermijd lichaamscontact met geaarde oppervlakken zoals buizen, radiatoren, ovens en koelkasten. Er bestaat een verhoogd risico op elektrische schokken als uw lichaam geaard is.**

c) **Stel elektrisch gereedschap niet bloot aan regen of water. Water dat in elektrisch gereedschap terechtkomt, vergroot het risico op een elektrische schok.**

d) **Gebruik het snoer niet verkeerd. Gebruik het snoer nooit om het elektrische gereedschap te dragen, te slepen of de stekker uit het stopcontact te trekken. Houd het snoer uit de buurt van hitte, olie, scherpe kanten of bewegende delen. Beschadigde of verwarde snoeren verhogen het risico op een elektrische schok.**

e) **Als u elektrisch gereedschap buiten bedient, gebruik dan een verlengsnoer dat geschikt is voor gebruik in de open lucht. Het gebruik van een dergelijk snoer vermindert het risico op een elektrische schok.**

f) **Als de bediening van elektrisch gereedschap in een vochtige omgeving niet kan worden vermeden, gebruik dan een stroomvoorziening die is beschermd door een reststroomapparaat (RCD). Het gebruik van een RCD vermindert het risico op een elektrische schok.**

### 3) Persoonlijke veiligheid

a) **Blijf alert, kijk naar wat u doet en gebruik uw gezond verstand als u elektrisch gereedschap gebruikt. Gebruik geen elektrisch gereedschap als u moe bent of onder de invloed van drugs, alcohol of medicijnen bent. Een moment van onoplettendheid tijdens het gebruik van elektrisch gereedschap kan leiden tot ernstig lichamelijk letsel.**

b) **Gebruik veiligheidsvoorzieningen. Draag altijd oogbescherming. Het gebruik van veiligheidsvoorzieningen zoals een stofmasker, antislip-veiligheidsschoenen, een helm of gehoorbescherming tijdens toepasselijke omstandigheden vermindert de kans op lichamelijk letsel.**

c) **Voorkom per ongeluk inschakelen. Controleer dat het elektrische gereedschap uitgeschakeld is voordat u de stekker in het stopcontact steekt of de accu aansluit en voordat u het gereedschap oppakt of draagt. Wanneer u bij het dragen van het elektrische gereedschap uw vinger aan de schakelaar hebt of wanneer u het gereedschap ingeschakeld op de stroomvoorziening aansluit, kan dit tot ongevallen leiden.**

d) **Verwijder alle afstelsleutels of moersleutels voordat u het elektrische gereedschap aanzet. Een moersleutel of afstelsleutel die nog vastzit aan een draaiend onderdeel van het elektrische gereedschap kan lichamelijk letsel veroorzaken.**

e) **Reik niet te ver. Behoud steeds uw evenwicht. Hierdoor houdt u in onverwachte omstandigheden een betere controle over het elektrische gereedschap.**

f) **Draag geschikte kleding. Draag geen losse kleding of sieraden. Houd uw haar, kleding en handschoenen uit de buurt van bewegende onderdelen. Losse kleding, sieraden of lang haar kunnen vastraken in bewegende onderdelen.**

g) **Als er hulpmiddelen zijn geleverd voor de aansluiting van voorzieningen voor stofafvoer en stofverzameling, zorg dan dat deze zijn aangesloten en op de juiste manier gebruikt worden. Het gebruik van deze voorzieningen kan stofgerelateerde gevaren verminderen.**

### 4) Gebruik en verzorging van elektrisch gereedschap

a) **Forceer het elektrische gereedschap niet. Gebruik het juiste elektrische gereedschap voor uw toepassing. Het juiste elektrische gereedschap zal het karwei beter en veiliger klaren op de snelheid waarvoor het werd ontworpen.**

b) **Gebruik het elektrische gereedschap niet als de schakelaar het niet in- en uitschakelt. Elk elektrisch gereedschap dat niet met de schakelaar kan worden bediend, is gevaarlijk en moet worden gerepareerd.**

c) **Haal de stekker uit de stroombron voordat u aanpassingen aanbrengt, hulpstukken verwisselt of elektrisch gereedschap opbergt. Dergelijke preventieve veiligheidsmaatregelen verminderen het risico dat het apparaat onbedoeld wordt ingeschakeld.**

d) **Bewaar ongebruikt elektrisch gereedschap buiten het bereik van kinderen en laat mensen die niet vertrouwd zijn met het elektrische gereedschap of met deze instructies het elektrische gereedschap niet gebruiken. Elektrisch gereedschap is gevaarlijk in de handen van onervaren gebruikers.**

e) **Onderhoud elektrisch gereedschap. Controleer op onjuiste uitlijning of vastlopen van beweegbare delen, defecte onderdelen of andere omstandigheden die de werking ervan kunnen beïnvloeden. Als het elektrische gereedschap beschadigd is, laat dit dan herstellen alvorens het te gebruiken. Veel ongelukken worden veroorzaakt door slecht onderhouden elektrisch gereedschap.**

f) **Houd zaagapparatuur scherp en schoon. Goed onderhouden zaagapparaten met scherpe zaagkanten lopen minder vast en zijn gemakkelijker te bedienen.**

g) **Gebruik het elektrische gereedschap, de hulpstukken en bits enz. in overeenstemming met deze instructies en op de manier die bedoeld is voor dergelijk gereedschap en houd rekening met de werkomstandigheden en het uit te voeren werk. Het gebruik van elektrisch gereedschap voor handelingen die anders zijn dan die waarvoor het gereedschap is bedoeld, kan gevaarlijke situaties tot gevolg hebben.**

### 5) Service

a) **Laat uw elektrische gereedschap onderhouden door een erkende onderhoudsmonteur die alleen identieke vervangingsonderdelen gebruikt. Dit verzekert de veiligheid van het elektrische gereedschap. LET OP: Raadpleeg 'Montage' (hoofdstuk 5) voor een lijst van onderdelen die de gebruiker zelf kan vervangen.**

## 3. SPECIFIEKE VEILIGHEIDSREGELS

1. **Houd het apparaat alleen vast bij de geïsoleerde handgrepen wanneer u het gebruikt op een plaats waarbij verborgen draden of de snoer van het apparaat kunnen worden geraakt. Wanneer een hulpstuk een stroomdraad raakt, kunnen de metalen delen van het apparaat onder stroom komen te staan en kan de gebruiker een schok krijgen.**

2. **Verwijder instelgereedschap zoals inbussleutels en zeskantsleutels alvorens het apparaat te bedienen.**

3. **Gebruik geen andere hulpstukken dan de hulpstukken die in deze gebruikershandleiding worden aanbevolen.**

4. **Gebruik het apparaat uitsluitend met de juiste spanning zoals vermeld op het typeplaatje.**

5. Start een apparaat nooit onder belasting. Start het apparaat alvorens het werkstuk aan te raken.

6. Start of bedien het apparaat nooit terwijl uw vingers of andere voorwerpen door de openingen in de bladen zijn gestoken.

7. **Wees voorzichtig bij het hanteren van de zaagbladen tijdens en na het gebruik. Tijdens**

**het gebruik worden de zaagbladen en bepaalde delen van het apparaat heet.**

8. Controleer voorafgaand aan het zagen altijd of er in het zaaggebied sprake is van gevaren zoals elektrische bedrading, buizen of isolatie.

9. **Neem rustperiodes in acht om de gevolgen van de trilling van het gereedschap te verminderen. Draag werkhandschoenen om het trillingseffect op het lichaam te minimaliseren.**

10. **Zorg dat de stofafzuigvoorzieningen zijn aangesloten en op de juiste wijze worden gebruikt.**

11. Houd de handvatten droog, schoon en vrij van olie en vet.

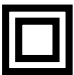
12. **Als de beschermkap of een ander onderdeel tekenen van beschadiging vertoont, moet zorgvuldig worden gecontroleerd of deze goed functioneert en de bedoelde functie uitvoert.**

13. Gebruik van andere dan de in deze gebruikershandleiding aanbevolen hulpstukken of accessoires kan een kans op persoonlijk letsel vormen.

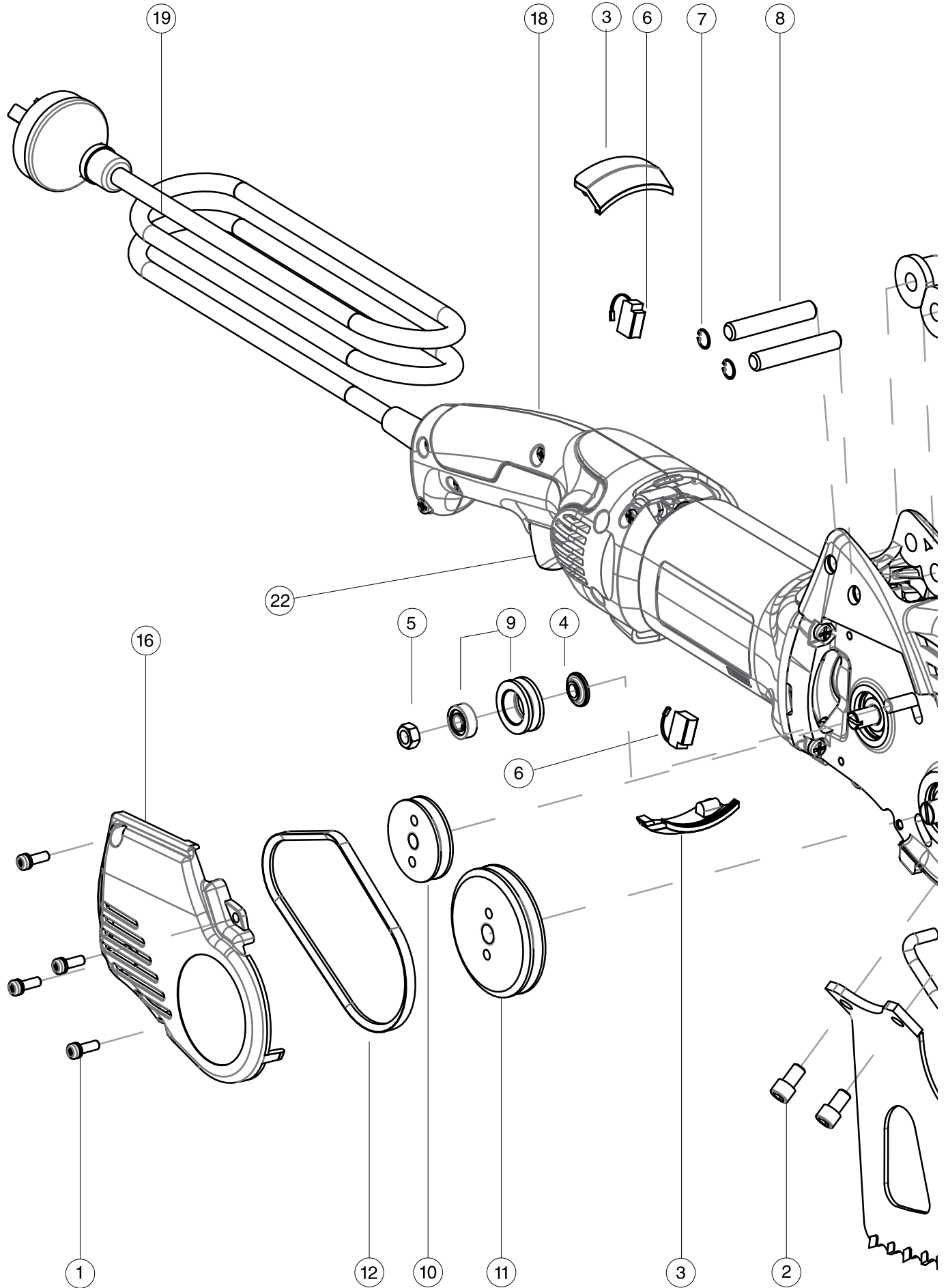
14. Forceer het apparaat niet. Het is ontworpen om met matige inspanning te functioneren. Oververhitting van het aandrijfsysteem en de motor kan zich voordoen als het apparaat wordt overbelast.

15. Houd het apparaat altijd met twee handen vast terwijl u het bedient.

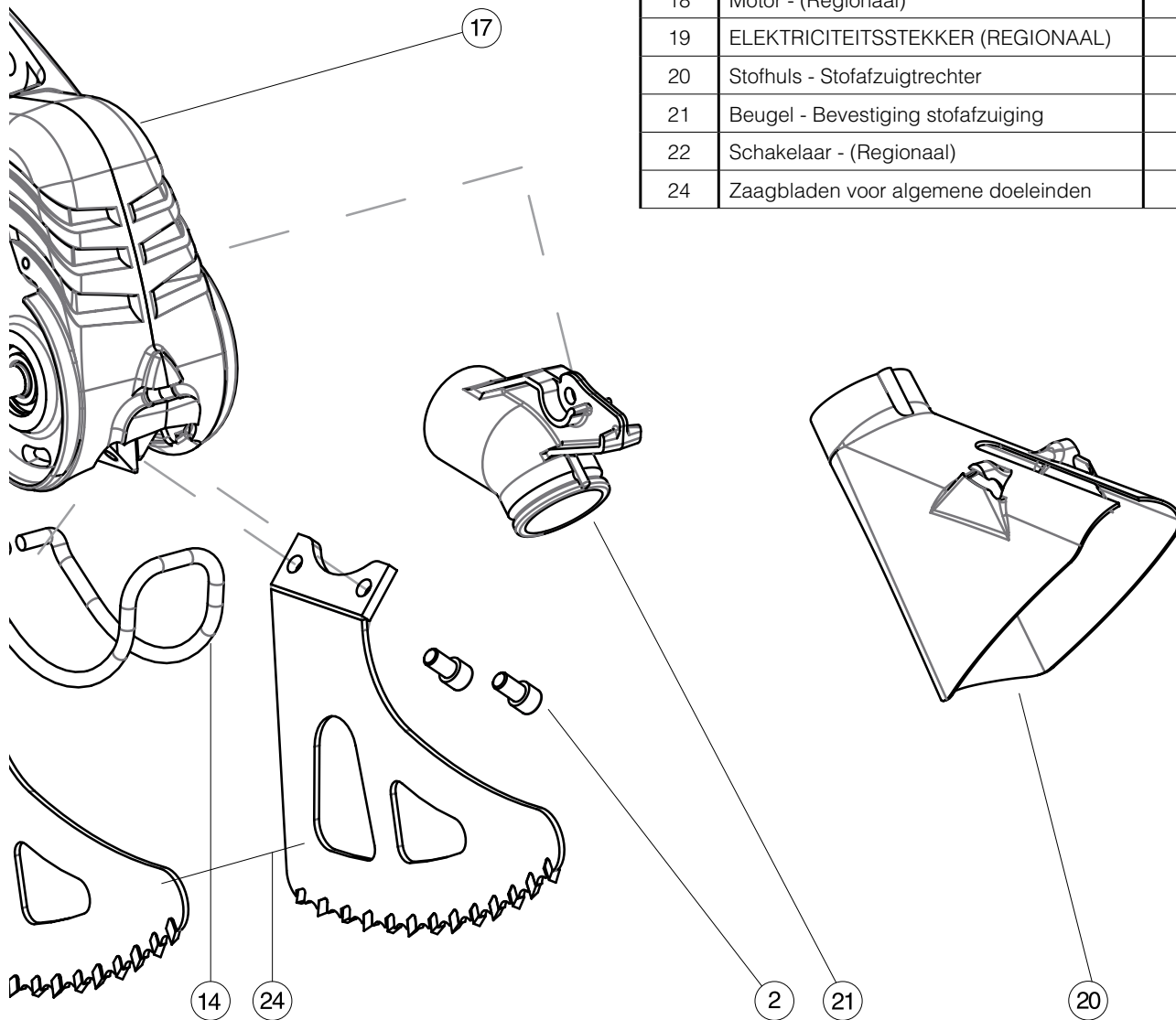
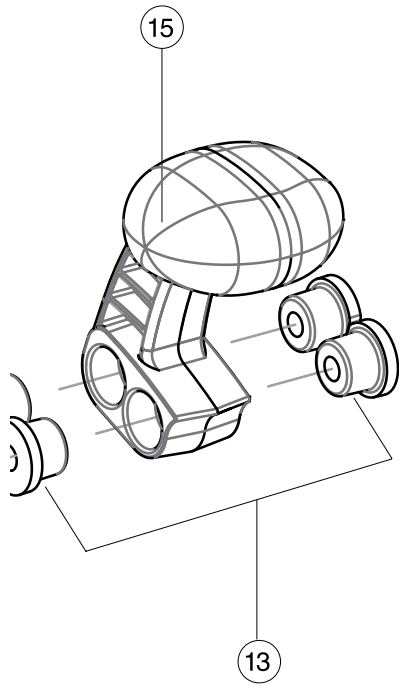
SYMBOLEN Hieronder staan de symbolen die in deze handleiding worden gebruikt.

	Klasse 2 Constructie (Dubbel geïsoleerd, zonder voorziening voor randaarde.)
VAC	Volt wisselstroom
A	Ampère
Hz	hertz
W	watt
N <sub>0</sub>	geen belastingssnelheid
rpm	omwentelingen per minuut
dB	decibel
Nm	Newtonmeter
m	meters
m/s	meters per second

# 5. MONTAGE



**NED**



1	Schroef - Afdekkap voor riem, M4 X 12	4
2	Schroef - Zaagblad, M6 X 10	4
3	Borstel - Kap	2
4	Sluiring - Stap	1
5	Moer - Nyloc M6	1
6	Borstel - Carbon	2
7	Clip - Inwendig	2
8	Pin	2
9	Riemschijf - Spanning incl. lager - 696	1
10	Riemschijf - Vermogen	1
11	Riemschijf - Aandrijving	1
12	Riem	1
13	Bus	4
14	Beschermkap	1
15	Handvat - Boven	1
16	Afdekkap - Riem	1
17	Behuizing	1
18	Motor - (Regionaal)	1
19	ELEKTRICITEITSSTEKKER (REGIONAAL)	1
20	Stofhuls - Stofafzuigtrechter	1
21	Beugel - Bevestiging stofafzuiging	1
22	Schakelaar - (Regionaal)	1
24	Zaagbladen voor algemene doeleinden	1

**N  
E  
D**

SYMBOLEN Hieronder staan de symbolen die in deze handleiding worden gebruikt.

mm	millimeters
kg-m	kilogram meters
ft-lb	foot pounds

## 4. FUNCTIONELE BESCHRIJVING

### 4.1 AS170 BESCHRIJVING VAN HET APPARAAT

De AS170 is ontwikkeld voor het zagen van harde materialen, zoals mortel, hardklei-bakstenen, pleisterwerk, hardboard, waterdorpels en hout. Bij de AS170 hoort een serie zaagbladen zodat men met het juiste zaagblad een bepaald materiaal kan zagen. De zaagbladen kunnen ook worden verwisseld, zodat de gebruiker met het juiste zaagblad de vereiste zaagdiepte of -lengte kan zagen.

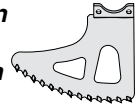
De zaagbladen worden aangedreven d.m.v. aandrijfstangen en een nokkenas, die door een riem wordt aangedreven. De V-riem is zodanig gemaakt dat licht slippen mogelijk is als de zaagbladen vast komen te zitten. **DE RIEMSPANNING MOET WORDEN GECONTROLEERD NA DE EERSTE 5 GEBRUIKSUREN.** De riem kan eenvoudig worden vervangen door de plastic beschermkap te verwijderen en kan worden aangespannen d.m.v. de verstelbare spanrol (zie hoofdstuk 11.3). De zaagbladen zijn bevestigd aan de aandrijfstangen met behulp van zeskant-inbusbouten met een hoge trekspanning.

Een bijgeleverde vervangbare metalen kap zorgt dat de maximale zaagdiepte wordt beperkt en voorkomt daarmee dat de bevestigingen van de zaagbladen het oppervlak van het te zagen object niet beschadigen. Een met rubber bevestigd bovenhandvat zorgt dat de gebruiker minder last heeft van schokken en trillingen. Het bovenste handvat is bedoeld voor gemak bij diverse zaagrichtingen. De rubberen bussen op het bovenste handvat kunnen worden vervangen als ze zijn beschadigd of versleten.

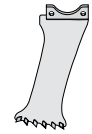
### 4.2 BESCHRIJVING VAN HET ZAAGBLAD

Bij de AS170 hoort een serie zaagbladen, zodat de gebruiker met het juiste zaagblad een bepaald materiaal kan zagen.

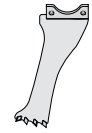
*Zaagbladen voor algemene doeleinden zijn voorzien van wolframcarbide tanden en zijn geschikt voor het zagen van algemeen metselwerk en "in de grond" zagen. Zaagbladen voor algemene doeleinden hebben een maximale zaagdiepte van 115mm (4 1/2").*



*Mortelzaagbladen zijn voorzien van wolframcarbide tanden en hebben een maximale zaagdiepte van 120mm (5"). Met mortelzaagbladen kunnen sleuven met een lengte van 75mm (3") worden aangebracht.*



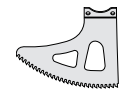
*Schakelkastbladen zijn voorzien van wolframcarbide tanden en hebben een maximale zaagdiepte van 120mm (5"). Geschikt voor het plaatsen van kleine schakelkasten in pleisterwerk, stenen muren en metselwerk.*



*Zaagbladen voor voegwerk worden gebruikt voor het verwijderen van mortel tussen de bakstenen bij herstelwerkzaamheden. Maximale zaagdiepte: 35mm (1 3/8").*



*Houtzaagbladen worden gebruikt om bewerkt hout te zagen en hebben een maximale zaagdiepte van 110 mm (4 1/2").*



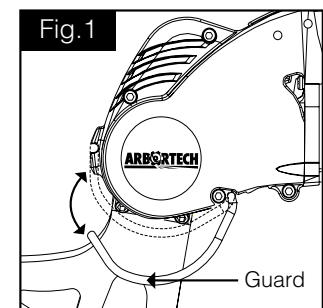
**LET OP:** Alle zaagbladen kunnen worden geslepen mits ze niet buitensporig versleten zijn.

## 6. BEDIENING

### 6.1 Opstelling

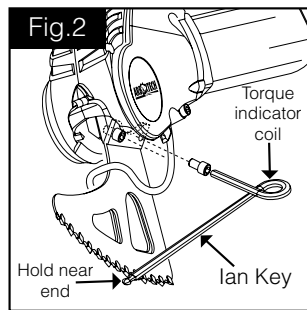
De AS170 wordt gebruiksklaar geleverd. In sommige gevallen moeten de zaagbladen echter worden verwisseld met het oog op het te zagen object.

Voordat u van zaagblad verwisselt, dient de beschermkap rondom de bevestiging van het zaagblad aan de voorkant van het apparaat voorzichtig uit de groef worden getild en worden weggedraaid zodat de kapschroeven bereikbaar zijn. (Zie Fig. 1)





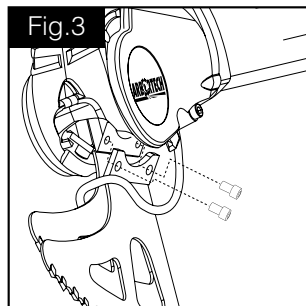
Gebruik de bijgeleverde zeskantsleutel om de kapschroeven die de zaagbladen op hun plaats houden los te draaien. Verwijder daarna de zaagbladen zoals in fig. 2 is afgebeeld.



Kies de juiste zaagbladen voor het zaagwerk en bevestig deze met de bijbehorende kapschroeven. Zorg dat de oppervlakken van de zaagbladen, de schroefdraden van de aandrijfstang en schroeven schoon en zandvrij zijn en vrij van welk smeermiddel dan ook, voordat ze worden gemonteerd. Zorg dat de beschermkap kan worden gesloten voordat u de zaagbladen aan de aandrijfstang bevestigt (zie fig. 2).

**LET OP:** Gebruik altijd bij elkaar horende zaagbladen. Combineer nooit gebruikte en nieuwe zaagbladen. Gebruik alleen de bouten die bij het apparaat zijn geleverd.

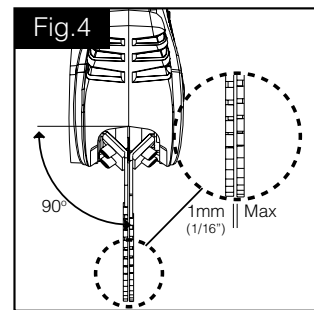
Draai met de zeskantsleutel (zie fig. 2) de montageschroeven van het zaagblad vast totdat de momentaanwijzer voldoende doorbuigt zodat de zijden met elkaar in contact komen. De zeskantsleutel draait de bouten dan aan tot de vereiste waarde v



**LET OP:** Zaagbladen vormen een slijtdeel. Bij normaal gebruik kan de levensduur van het blad variëren al naar gelang de hardheid van het gezaagde materiaal.

**VOORZICHTIG:** Werk niet met het apparaat als de zaagbladen los zitten. Het werken met losse bladen veroorzaakt ernstige schade aan de zaagbladmontage en -bouten, waardoor reparatie nodig is.

Controleer of de tanden van de zaagbladen licht contact maken of binnen ongeveer 1 mm (1/16") uit elkaar staan (fig. 4).



Als de ruimte tussen de zaagbladen te groot is, kunnen ze worden losgemaakt en voorzichtig naar binnen worden gebogen en zo worden aangepast aan de opening. Zorg dat beide zaagbladen verticaal worden uitgelijnd ten opzichte van het apparaat (zie fig. 4).

**VOORZICHTIG:** Als de scherpe kanten van de zaagbladen op minder dan 25 mm afstand langs elkaar wrijven of als ze overmatig langs elkaar wrijven, kan dit mogelijk leiden tot overbelasting van het apparaat en vroegtijdige slijtage van de riem. Duw de beschermkap weer in de groef aan de voorkant van het apparaat en klik deze op zijn plaats. (Zie fig. 1)

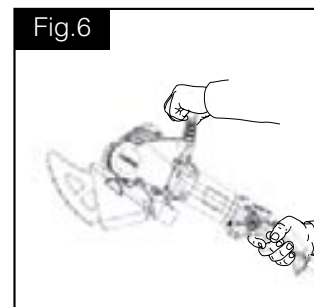
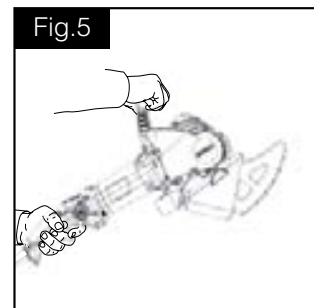
## 6.2 BEDIENING

⚠ **LET OP:** Tijdens de bediening kan de AS170 trilling van handen en armen veroorzaken. Dit kan na lange gebruikperiodes vermoeidheid of een onaangenaam gevoel veroorzaken. De trilling neemt toe naarmate het materiaal harder is.

Bedien het apparaat niet als u een onaangenaam gevoel ervaart en zorg voor voldoende rustperiodes tijdens het zagen. Neem voor meer informatie contact op met de fabrikant.

Lees voordat u het apparaat in gebruik neemt de veiligheidsaanwijzingen in deze handleiding door.

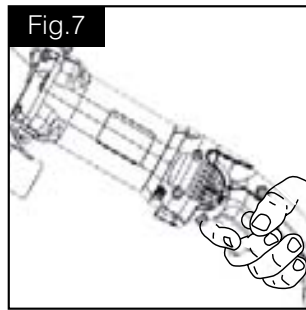
Draag toepasselijke beschermingsvoorzieningen voor uw gehoor, ademhaling, ogen en lichaam.



**NED**

Steek de stekker alleen in het stopcontact als de bladen goed vastzitten en de schakelaar in de stand OFF (UIT) staat.

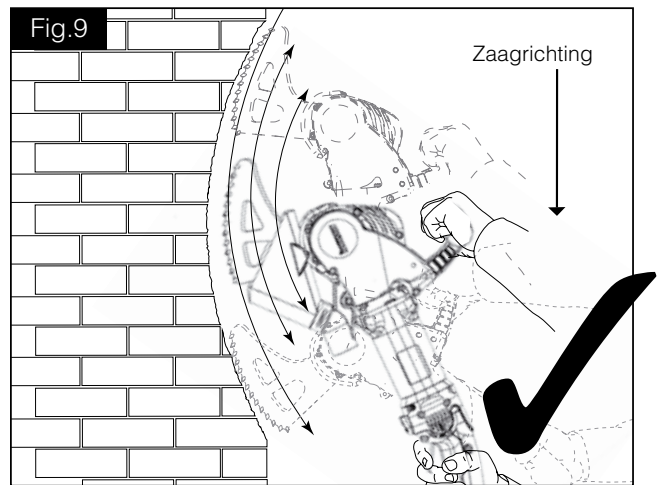
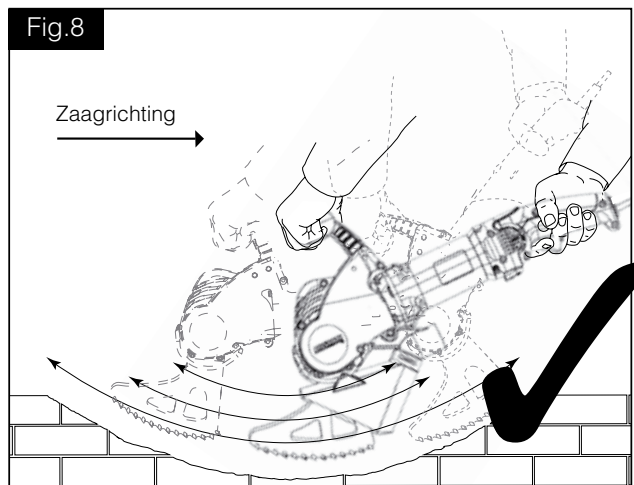
**VOORZICHTIG:** De inlaatopeningen voor koellucht mogen niet worden geblokkeerd en voorkom dat stof of rommel in de achterkant van de motor komt, want dit kan leiden tot oververhitting van de motor. Bij werkzaamheden in stoffige omstandigheden wordt aangeraden de openingen regelmatig te reinigen m.b.v.



Houd het apparaat vast bij het bovenste handvat en de motorbehuizing. (Fig. 5 en 6)

Houd het apparaat stevig vast als u wilt gaan zagen en gebruik het centrale deel van de snijkant van het zaagblad voor het te zagen object. Vergeet daarbij niet dat u in de richting van de achterkant van de zaagbladen moet zagen.

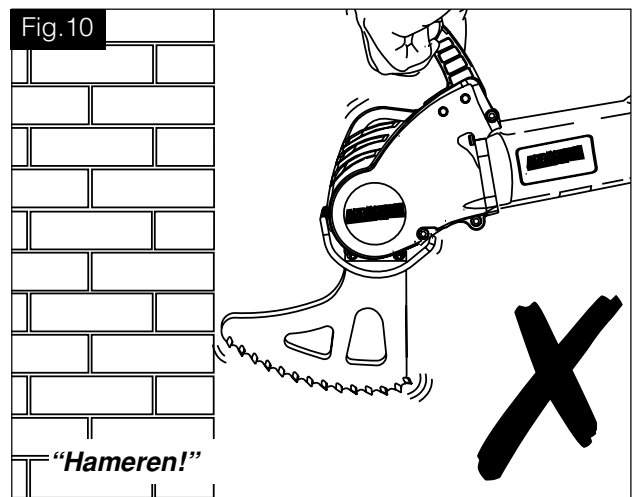
Maak een langzame "zagende" beweging met het apparaat en het zaagblad, aangezien dit de zaagdiepte bevordert, de opgebouwde hoeveelheid warmte doet afnemen en gelijkmatige slijtage op de zaagbladen veroorzaakt. (Zie fig. 8 en 9)

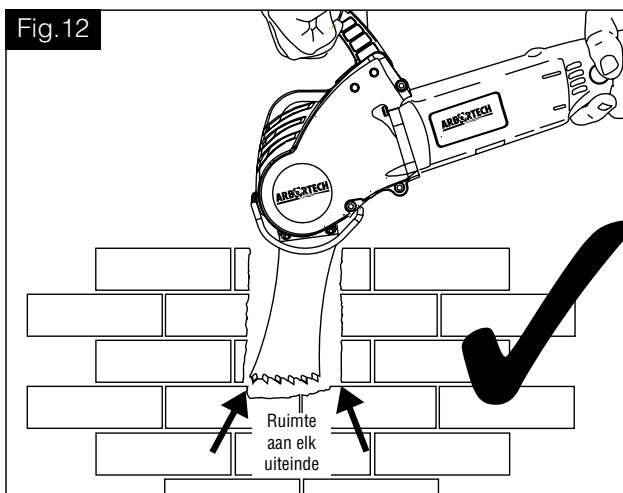
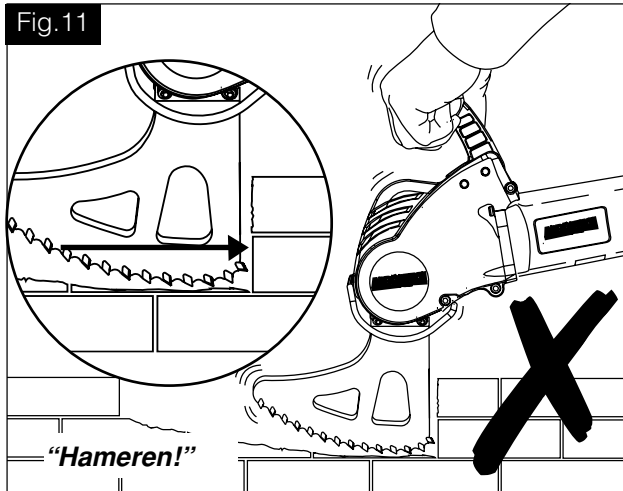


**VOORZICHTIG:** Zorg dat de voor- of achterkant van de zaagbladen niet op harde oppervlakken hamert (zoals in fig. 10, 11 en 13), omdat dit de zaagbladen en het apparaat beschadigt. Als er toch onopzettelijk hamerende bewegingen worden gemaakt, stop dan het apparaat of haal de zaag direct uit de zaagsnede.

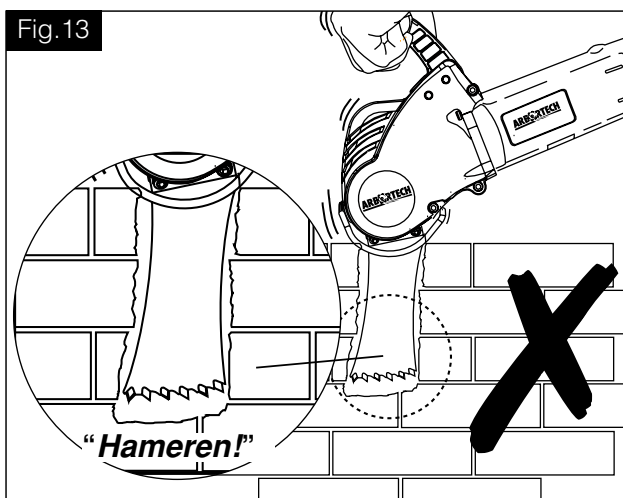
Voorkom hamerende bewegingen tegen het uiteinde van de zaagsnede bij het gebruik van alle zaagbladen door een rustige heen-en-weer gaande beweging te maken. Voor het beste resultaat moet u proberen te zorgen dat de zaagtanden het enige deel van het zaagblad zijn dat in contact komt met het te zagen materiaal.

**VOORZICHTIG:** Zet het apparaat voorzichtig neer om beschadiging van wolframcarbide zaagtanden te voorkomen.





Bij gebruik van de dieptezaagbladen voor metselwerk moet er bij het zagen aan beide kanten van het zaagbladuiteinde voldoende ruimte zijn (zie fig. 12), zodat de zaagbladuiteinden geen hamerende bewegingen maken (zie fig. 13).



## 7. ONDERHOUD

⚠ **WAARSCHUWING:** Om het risico op ernstig persoonlijk letsel te verminderen moet het apparaat worden uitgeschakeld en van de stroombron worden afgesloten alvorens eventuele aanpassingen te verrichten of hulpstukken of accessoires te demonteren/monteren. Druk de schakelaar in en laat deze weer los voordat u het apparaat weer aansluit om er zeker van te zijn dat dit uit staat.

Om de VEILIGHEID en de BETROUWBAARHEID van het product te verzekeren, mogen reparaties, onderhoud en afstellingen (incl. inspectie en vervanging van de borstels) alleen worden uitgevoerd door een door ARBORTECH erkend onderhoudsbedrijf. Gebruik altijd identieke vervangingsonderdelen.

### 7.1 Motor

#### Reiniging

**VOORZICHTIG:** Voor het uit de motor en het schakelsysteem blazen van stof en vuil is droge perslucht een noodzakelijke regelmatige onderhoudshandeling. Op inwendige oppervlakken verzamelen zich vaak stof- en vuildeeltjes, wat vroegtijdige defecten kan veroorzaken. Het niet regelmatig reinigen van de AS170 kan de garantie van het apparaat ongeldig maken.

⚠ **WAARSCHUWING:** DRAAG ALTIJD EEN VEILIGHEIDSBRIL bij het gebruik of de reiniging van dit gereedschap.

Voorkom te allen tijde het gebruik van oplosmiddelen of andere bijtende chemische middelen voor het reinigen van de niet-metalen delen van het apparaat. Gebruik uitsluitend een schone en droge doek .

#### Smering

ARBORTECH-gereedschap wordt door de fabrikant goed gesmeerd en is klaar voor gebruik.

#### Hulpstukken

Om de kans op letsel te verkleinen moeten ARBORTECH hulpstukken bij dit product worden gebruikt. Aanbevolen hulpstukken voor gebruik bij dit gereedschap zijn tegen extra kosten verkrijgbaar bij uw lokale dealer of uw erkend onderhoudsbedrijf.

#### Reparaties

Kijk op [www.arbortech.com.au](http://www.arbortech.com.au) voor algemene

NED

vragen omtrent gereedschap of als u hulp nodig hebt bij het zoeken van hulpstukken.

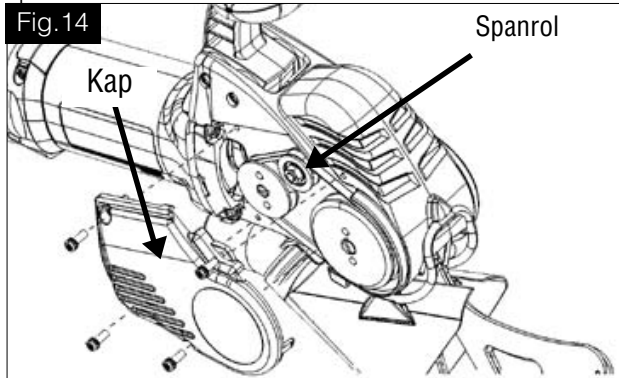
## Borstels

De AS170 is voorzien van zelfuitschakelende borstels. Wanneer de borstels zijn afgesleten tot minder dan de minimale lengte, stopt het werktuig om inwendige motorbeschadiging te voorkomen. Neem voor vervangende borstels contact op met uw lokale dealer of uw erkend onderhoudsbedrijf.

## 7.2 V Aandrijfriem en riemschijven

**VOORZICHTIG:** De spanning van de V-riem moet na de eerste 5 gebruiksuren opnieuw worden ingesteld. Er wordt een reserve-riem bij dit apparaat geleverd. De V-riem is ontworpen als zekering/koppeling ter bescherming van het product als de zaagbladen vast komen te zitten.

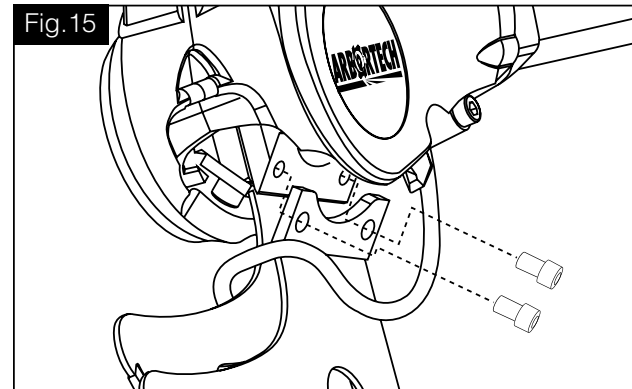
Deze onderdelen zijn bereikbaar door de 4 bevestigingsschroeven van de kunststof afdekkap aan de rechterkant van het apparaat te verwijderen (zie fig. 15). Controleer of de aandrijfriem de juiste spanning heeft en of deze tekenen van schade vertoont. Als de riem moet worden gespannen, dient de spanrol te worden losgedraaid (slechts één slag). Schuif de spanrol naar buiten om de riemspanning te vergroten tot de waarde die wordt vermeld in de Algemene Specificaties in Hoofdstuk 3 en zet deze weer vast. Als de riem moet worden vervangen, draai dan de spanrol los, vervang de riem en zet daarna de spanrol volgens de specificaties vast.



Als er sprake is van buitensporig slippen zijn de riemschijven wellicht versleten. Een groef die in plaats van de goed zichtbare "V"-vorm een afgeronde of afgeplatte vorm heeft, duidt op een versleten riemschijf. Neem voor de vervanging van de riemschijven contact met een erkend onderhoudsbedrijf van ARBORTECH.

## 7.3 Bevestigingsbouten zaagblad en schroefdraad

Controleer regelmatig of de kapschroeven van de zaagbladen het juiste aanhaalmoment hebben (18Nm of 11,5 ft lb). Als de bladen worden vervangen, moet worden gecontroleerd of de bout en de schroefdraad van de aandrijfstangen zijn versleten of zijn gevuld met vuil. Gebruik uitsluitend originele ARBORTECH-ervangingsonderdelen en breng geen vet of olie aan op oppervlakken die in contact komen met bouten, schroefdraden of aandrijfstangen.



**VOORZICHTIG:** Het gereedschap mag NIET worden bediend als de zaagbladen los zitten. Als de zaagbladen los komen te zitten tijdens het bedienen van het apparaat, kunnen bevestiging en schroefdraden van het apparaat beschadigd raken.

## 7.4 Scherppte van de zaagtanden

Als gevolg van het gebruik worden de zaagbladen bot en vermindert het zaagresultaat. Dit kan grotendeels worden verholpen door de tanden te slijpen. Gebruik de ARBORTECH slijpschijf (BLA.FG.SHARP001) om de tanden te slijpen. Af en toe, tijdens het zagen van zeer hard materiaal of als de tanden onder een vreemde hoek in aanraking komen met een hard oppervlak kunnen ze beschadigd raken of afbreken. De zaagbladen kunnen nog wel worden gebruikt, maar het zaagresultaat vermindert.

Als de omtrek van het zaagblad 'blauw' wordt, worden de zaagbladen te heet. Dit doet zich voor als de bladen versleten raken, er teveel kracht wordt uitgeoefend, onvoldoende heen-en-weer gaande beweging door de gebruiker of er sprake is van te hard materiaal.

**BELANGRIJK** Om een optimale prestatie te verzekeren en de motorbelasting te verminderen moeten de zaagbladen scherp worden gehouden.

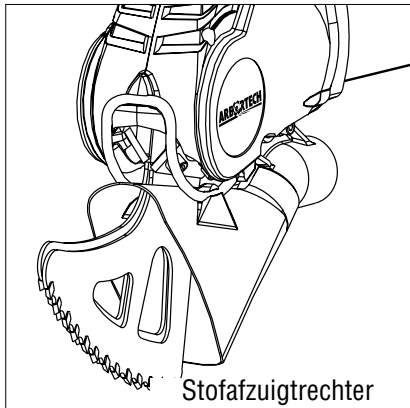
## 8. HULPSTUKKEN

## 8.1 Stofafzuiging

Aan de AS170 moet een stofafzuigtrechter worden bevestigd, die het rondvliegende en zware stof bij juist gebruik aanzienlijk kan doen afnemen. Deze bestaat uit een koppeling die aan de onderkant van de aluminium behuizing wordt bevestigd en een verstelbare afzuigtrechter die kan worden vervangen als deze versleten is. De stofafzuigingskoppeling heeft een standaarddiameter van 30 mm (1 3/16").

**LET OP:** Het niet gebruiken van de stofafzuigtrechter bij het zagen van materialen voor metselwerk heeft buitensporige slijtage van de elektrische onderdelen tot gevolg. Schade als gevolg van stof leidt tot vroegtijdige defecten van de motor, wat van invloed is op de garantie.

**VOORZICHTIG:** Controleer of de werkende afzuiger een filtersysteem bevat dat geschikt is voor het te zagen materiaal. Het gebruiken van een onjuist filtersysteem kan onvoldoende stofafzuiging tot gevolg hebben, evenals mogelijke beschadiging van de stofafzuiger.



ONDERDEEL	SPECIFICATIE
Zaagdiepte/breedte	120mm (4 3/4")/6.5mm (1/4"), (depending on blade/material)
Gewicht, incl. zaagbladen	4.3kg (9.5lb)
Afmetingen zonder zaagbladen	450 mm (17 7/8") L 75 mm (3") W 240 mm (9 1/2") H
Geen belastingsnelheid $n_0$	5100 rpm
Elektrisch vermogen, nominaal	230-240 VAC, 50Hz, 1250W (Australia) 230 VAC, 50 Hz (Europe) 110 - 120 VAC, 50-60 Hz 13A (USA/CANADA/UK Industrial)
Aansluiting voor stofafzuigingslang	25mm (1") , 32mm (1 1/4"), 37mm (1 3/8")
Riemspanning	1 mm (1/16") maximale afbuiging middenspanwijdte met 25 N (2,5 kg) (5lb) afbuigingskracht
Aanhaalmoment bevestigingsbout zaagblad	18 Nm (1.8 kg-m), (13.2ft-lb), niet gesmeerd

TECHNISCHE GEGEVENS	
Trilling	7.7 m/s <sup>2</sup>
Lawaai	92db

**NED**

## 9. SPECIFICATIES

Het verklaarde trillingsemmissieniveau is gebaseerd op metingen die de belangrijkste toepassingen van het apparaat weergeven. Als het apparaat echter wordt gebruikt voor verschillende toepassingen en met verschillende hulpstukken of als dit slecht wordt onderhouden, kan de trillingsemmissie verschillen. Hierdoor kan het blootstellingsniveau gedurende de totale levensduur van het apparaat aanzienlijk groter worden. Bij de schatting van mate van blootstelling aan trilling moet bovendien rekening worden gehouden met de perioden gedurende welke het apparaat is uitgeschakeld of wanneer het aan is maar geen werkzaamheden uitvoert. Hierdoor kan het blootstellingsniveau gedurende de totale levensduur van het apparaat aanzienlijk lager worden. Stel extra veiligheidsmaatregelen in om de gebruiker te beschermen tegen de gevolgen van trilling, zoals: onderhoud van het apparaat en de hulpstukken, handen warm houden, organisatie van werkpatronen.

De hier vermelde waarden geven uitsluitend het geluidsniveau van het apparaat aan. Hier kan niet worden bepaald of de gebruiker gehoorbescherming moet dragen. Dit hangt af van de hoeveelheid geluid die het gehoor van de gebruiker bereikt. Ook als het niet uitdrukkelijk noodzakelijk is, is het in uw eigen belang om altijd gehoorbescherming te dragen als u met het apparaat werkt.



**N  
E  
D**

## 10. GARANTIE EN SERVICE

Neem voor reparaties, voortvloeiend uit garantiebepalingen, controle en reserveonderdelen contact op met de winkel waar u het apparaat hebt aangeschaft,

of

Kijk op onze website [www.arbortech.com.au](http://www.arbortech.com.au) voor een dealer of onderhoudsbedrijf in uw regio.

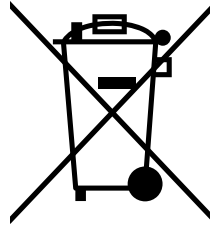
of

Neem rechtstreeks contact met ons op:

ARBORTECH PTY LTD 67 WESTCHESTER ROAD •  
MALAGAPERTH • WESTERN AUSTRALIA • 6090T:  
+61 8 9249 1944F: +61 8 9249 2936US Fax: (866)  
515 8104 [www.arbortech.com.au](http://www.arbortech.com.au) E: [arbortech@arbortech.com.au](mailto:arbortech@arbortech.com.au)

### Verwijdering

Alleen voor EU-landen: Gooi elektrische apparaten niet bij het huisvuil! Volgens de Europese richtlijn 2002/96/EG m.b.t. oude elektrische en elektronische apparaten en de omzetting van de richtlijn in nationaal recht moeten niet meer bruikbare elektrische gereedschappen apart worden ingezameld en op een milieuverantwoorde wijze worden verwijderd.



### Verklaring van overeenstemming

Wij verklaren onder onze uitsluitende verantwoordelijkheid dat het product AS170 steen- en mortelzaag zoals beschreven in de "Specificaties" voldoet aan de volgende normen of normalisatiedocumenten: EN 60745 volgens de bepalingen van de Machinerichtlijn 2006/42/EC

Technisch dossier bij:  
Arbortech PTY LTD  
67 Westchester Road  
Malaga, WA 6090

Kevin Inkster  
Voorzitter  
Arbortech Pty Ltd

Arbortech PTY LTD  
67 Westchester Road  
Malaga, WA 6090

Sven Blinks  
Commercieel  
Directeur  
Arbortech Pty Ltd

## 11. PROBLEMEN OPLOSSEN

Deze foutenopsporing is bestemd voor personen die omgaan met mechanisch gereedschap en biedt de mogelijkheid tot basisonderhoud van het apparaat. Voor de door de gebruiker zelf te verrichten reparaties wordt verwezen naar het hoofdstuk Onderhoud in deze handleiding. De meer ingewikkelde reparaties, zoals hieronder aangegeven, moeten worden uitgevoerd door een erkend onderhoudsbedrijf.

ONDERDEEL	SYMPTOOM	CONTROLE/HERSTEL
1	Oververhitting van de motor	<ul style="list-style-type: none"> <li>Controleer of de ventilatieopeningen niet door de hand van de gebruiker worden bedekt, of er sprake is van vuil in de ventilatieopeningen of een mogelijke andere oorzaak. Herstel of verwijder op de vereiste wijze.</li> <li>Controleer of de zaagbladen niet met te grote kracht langs elkaar wrijven, zowel aan de snijkant als bij de bevestiging van de zaagbladen.</li> <li>De zaagbladen kunnen versleten zijn en oververhit raken. Vervang ze indien nodig.</li> <li>Controleer of de riem niet te strak staat.</li> <li>Controleer of de lagers werken door de plastic beschermkap aan de zijkant te verwijderen evenals de riem, en door de beide riemschijven onafhankelijk van elkaar te laten draaien om te zien of ze gemakkelijk kunnen ronddraaien. Het aandrijfwiel moet moeiteloos kunnen ronddraaien. Het aangedreven wiel dient gemakkelijk te kunnen ronddraaien, maar voelt "veerkrachtig" aan, omdat het in een van de 2 standen wil blijven.</li> <li>Controleer of de behuizing van de motor stevig vastzit aan het apparaat. Raadpleeg een erkend onderhoudsbedrijf als dat niet het geval is.</li> </ul>
2	Lawaai bij werking of ongewone trilling	<ul style="list-style-type: none"> <li>Loszittende zaagbladen – draai de zaagbladbouten vast.</li> <li>Zaagblad werkt niet goed – vervang de zaagbladen.</li> <li>Bladveer werkt niet goed – neem contact op met erkend onderhoudsbedrijf.</li> <li>Lager werkt niet goed – neem contact op met erkend onderhoudsbedrijf.</li> <li>Tandwielkast werkt niet goed – neem contact op met erkend onderhoudsbedrijf.</li> <li>Rubberen handvatbevestigingen beschadigd of versleten - vervangen.</li> </ul>
3	Rubberen handvatbevestigingen beschadigd of versleten	<ul style="list-style-type: none"> <li>vervangen.</li> </ul>
4	Een of beide aandrijfstangen / zaagbladen zit(ten) los, hoewel bevestigingsbouten goed zijn aangedraaid.	<ul style="list-style-type: none"> <li>Bladveer werkt niet goed – neem contact op met een door ARBORTECH erkend onderhoudsbedrijf.</li> </ul>
5	Apparaat staat aan, maar zaagbladen bewegen niet.	<ul style="list-style-type: none"> <li>Losse aandrijfriem – maak aandrijfriem weer goed strak of vervang aandrijfriem.</li> <li>Versleten aandrijfriem - vervang aandrijfriem.</li> </ul>
7	Bladen raken voortdurend los.	<ul style="list-style-type: none"> <li>Controleer de boutgaten van het blad. Vervang de bladen als de openingen te groot zijn geworden.</li> </ul>
8	Worn pulleys	<ul style="list-style-type: none"> <li>Versleten riemschijven – vervangen of contact opnemen met door ARBORTECH erkend onderhoudsbedrijf.</li> </ul>
9	Het zagen verloopt traag	<ul style="list-style-type: none"> <li>Zaagbladtanden versleten, beschadigd of afgebroken. Slijp of vervang het zaagblad.</li> <li>Slippende riem - zie Symptoom bij punt 4.</li> </ul>

**NED**

ONDERDEEL	SYMPTOOM	CONTROLE/HERSTEL
10	Te grote onderlinge wrijving van zaagbladen	<ul style="list-style-type: none"> <li>• Proberen te zagen van te harde materialen</li> </ul>
11	Te grote onderlinge wrijving van zaagbladen	<ul style="list-style-type: none"> <li>• Verwijder zaagblad(en) en buig dit/deze enigszins om wrijving te voorkomen</li> </ul>
12	Zaagbladtanden beschadigd of afgebroken.	<ul style="list-style-type: none"> <li>• Dit komt af en toe voor bij het zagen van harde materialen, of als de "achterkant" van de zaagbladtanden zware schokken krijgt te verduren.</li> <li>• Onzorgvuldig plaatsen van het apparaat met de zaagbladtanden op een harde ondergrond, of los opbergen in de gereedschapskist.</li> <li>• Versleten zaagbladen zullen bij bepaalde materialen warm aanlopen, waardoor de zaagbladtanden los komen – vervang de zaagbladen.</li> <li>• Te hard materiaal.</li> </ul>
13	Bovenste handvat is los.	<ul style="list-style-type: none"> <li>• Versleten of beschadigde rubberen bussen - vervang de bussen</li> </ul>
14	Zaagbladen lopen heet aan.	<ul style="list-style-type: none"> <li>• Versleten tanden - zaagbladen vervangen.</li> <li>• Er wordt teveel kracht uitgeoefend door de gebruiker.</li> <li>• De gebruiker maakt een onvoldoende zaagbeweging.</li> <li>• Te hard materiaal.</li> </ul> <p>Te grote onderlinge wrijving van zaagbladen (zie punt 8).</p>
15	Bouten van zaagblad zitten niet helemaal vast.	<ul style="list-style-type: none"> <li>• Schroefdraad van bouten versleten - vervang bouten die niet goed vast zitten.</li> </ul>
16	Schroefdraad van apparaat versleten.	<ul style="list-style-type: none"> <li>• Neem contact op met uw door ARBORTECH erkende onderhoudsbedrijf.</li> </ul>
17	Apparaat werkt niet.	<ul style="list-style-type: none"> <li>• De AS170 is voorzien van zelfuitschakelende borstels.</li> <li>• Controleer of de borstels zijn beschadigd of buitensporig zijn versleten. Neem contact op met uw door ARBORTECH erkende onderhoudsbedrijf.</li> </ul>





## INSTRUKCJA OBSŁUGI

Prosimy uważnie przeczytać ten podręcznik, aby zapewnić prawidłową eksploatację i konserwację urządzenia. Prawidłowa eksploatacja AS170 zapewni użytkownikowi wieloletnią niezawodną pracę, oszczędność czasu i pieniędzy.



Zastosowano podwójną izolację, bez potrzeby uziemienia.



**AS170**  
BRICK + MORTAR SAW

## SPIS TREŚCI

	PAGE
1. WPROWADZENIE	2
2. OGÓLNE ZASADY BEZPIECZEŃSTWA	2-3
3. SZCZEGÓŁOWE ZASADY BEZPIECZEŃSTWA	4
4. OPIS DZIAŁANIA	7
4.1 Opis narzędzia	7
4.2 Opis ostrza	7
5. MONTAŻ	5-6
6. EKSPLOATACJA	7
6.1 Ustawianie	7
6.2 Eksploatacja	8-9
7. KONSERWACJA	10
7.1 Silnik	10
7.2 Pasek klinowy i koła pasowe	10-11
7.3 Śruby i gwinty na uchwycie brzeszczotu	11
7.4 Górny uchwyt i otulina gumowa	11
8. AKCESORIA	11
8.1 Odpylanie	11
9. SPECYFIKACJE	12
10. GWARANCJA I SERWIS	12-13
11. WYKRYWANIE I USUWANIE USTEREK	14-15

Prosimy o przeczytanie tej instrukcji przed przystąpieniem do eksploataowania piły do cegieł i muru AS170.

## 1. WPROWADZENIE

Piła Arbortech AS170 została zaprojektowana i wykonana w Australii z wykorzystaniem wyłącznie komponentów i procesów produkcyjnych najwyższej jakości. Jedyne w swoim rodzaju, opatentowany roboczy ruch tnący po okręgu obydwu przeciwbieżnych ostrzy umożliwia cięcie cegły, zaprawy i muru szybciej niż tradycyjnymi piłami posuwisto-zwrotnymi.

Dzięki takiemu ruchowi roboczemu powstaje również minimalna ilość kurzu. Ponadto narzędzie zapewnia bezpieczny, kontrolowany tryb roboczy i umożliwia wcięcia na głębokość do 120 mm, cięcia pod kątem prostym oraz cięcia o zróżnicowanej szerokości. Piła AS170 w sposób optymalny nadaje się do realizacji całej gamy zadań, między innymi do:

- Usuwania zaprawy ze spoin celem obróbki szczeliny między cegłami w murze.
- Usuwania poszczególnych cegieł z muru.
- Cięcia cegieł bez uszkodzania graniczących z nimi elementów budowli i bez ich wyłamywania, wykonywania klinów lub strzępi murowych. Wykuwania kanałów do kładzenia rzewodów itp. w murze.
- Wycinania otworów w murze lub innych powierzchniach.
- Wykonywania wycięć narożników w murach.
- Cięcia zanieczyszczonego drewna.
- Cięcia drewna leżącego w ziemi.
- Usuwania korzeni drzew.
- Przycinania drzew.

**Narzędzie może być wyposażone w całą paletę brzeszczotów, które nadają się w sposób optymalny do różnych zastosowań.**

### Definicje: Wytyczne bezpieczeństwa

Poniższe definicje opisują poziom istotności dla każdego ze słów sygnalizujących. **Prosimy o przeczytanie podręcznika i zwrócenie uwagi na te symbole.**

△ **NIEBEZPIECZEŃSTWO:** Wskazuje na zagrażające niebezpieczeństwo, które, jeśli się go nie uniknie, spowodują śmierć lub poważne obrażenia.

△ **OSTRZEŻENIE:** Wskazuje na zagrażające niebezpieczeństwo, które, jeśli się go nie uniknie, może spowodować śmierć lub ciężkie obrażenia.

△ **UWAGA:** Wskazuje na potencjalnie niebezpieczną sytuację, która, jeśli się jej nie uniknie, może spowodować lżejsze lub średnio ciężkie obrażenia.

**UWAGA:** Zastosowana bez znaku alarmującego

o bezpieczeństwie, wskazuje potencjalnie niebezpieczne sytuacje, które, jeśli się ich nie uniknie, mogą skutkować szkodami majątkowym.

△ Oznacza zagrożenie porażeniem elektrycznym.

△ **WAŻNA INFORMACJA: NIEWŁAŚCIWE UŻYCIĘ MASZYNY AS170 MOŻE PROWADZIĆ DO JEJ PRZEDWCZESNEGO ZUŻYCIA I/ LUB USZKODZENIA. PROSIMY O WNIKLIWE PRZECZYTANIE NINIEJSZEJ INSTRUKCJI UŻYTKOWNIKA, ABY ZAPEWNIĆ PRAWIDŁOWĄ EKSPLOATACJĘ.**

## 2. OGÓLNE PRZEPISY BEZPIECZEŃSTWA DLA ELEKTRONARZĘDZI

△ **Ostrzeżenie Należy przeczytać wszystkie wskazówki i przepisy.** Błędy w przestrzeganiu poniższych wskazówek mogą spowodować porażenie prądem, pożar i/lub ciężkie obrażenia ciała. Należy starannie przechowywać wszystkie przepisy i wskazówki bezpieczeństwa dla dalszego zastosowania. Użyte w poniższym tekście pojęcie „elektronarzędzie“ odnosi się do elektronarzędzi zasilanych energią elektryczną z sieci (z przewodem zasilającym) i do elektronarzędzi zasilanych akumulatorami (bez przewodu zasilającego).

NINIEJSZE INSTRUKCJE NALEŻY ZACHOWAĆ

### 1) Bezpieczeństwo miejsca pracy

a) **Stanowisko pracy należy utrzymywać w czystości i dobrze oświetlone. Nieporządek w miejscu pracy lub nieoświetlona przestrzeń robocza mogą być przyczyną wypadków.**

b) **Nie należy pracować tym elektronarzędziem w otoczeniu zagrożonym wybuchem, w którym znajdują się np. łatwopalne ciecze, gazy lub pyły. Podczas pracy elektronarzędziem wytwarzają się iskry, które mogą spowodować zapłon.**

c) **Podczas użytkowania urządzenia zwrócić uwagę na to, aby dzieci i inne osoby postronne znajdowały się w bezpiecznej odległości. Odwrócenie uwagi może spowodować utratę kontroli nad narzędziem.**

### 2) Bezpieczeństwo elektryczne

a) **Wtyczka elektronarzędzia musi pasować do gniazda. Nie wolno zmieniać wtyczki w jakikolwiek sposób. Nie wolno używać wtyków adapterowych w przypadku elektronarzędzi z uziemieniem ochronnym. Niezmienione wtyczki i pasujące gniazda zmniejszają ryzyko porażenia prądem.**

b) **Należy unikać kontaktu z uziemionymi powierzchniami jak rury, grzejniki, piece i lodówki.**

Ryzyko porażenia prądem jest większe, gdy ciało użytkownika jest uziemione.

c) Urządzenie należy zabezpieczyć przed deszczem i wilgocią. Przedostanie się wody do elektronarzędzia podwyższa ryzyko porażenia prądem.

d) Nigdy nie należy używać przewodu do innych czynności. Nigdy nie należy nosić elektronarzędzia, trzymając je za przewód, ani używać przewodu do zawieszenia urządzenia; nie wolno też wyciągać wtyczki z gniazdka pociągając za przewód. Przewód należy chronić przed wysokimi temperaturami, należy go trzymać z dala od oleju, ostrych krawędzi lub ruchomych części urządzenia. Uszkodzone lub splątane przewody zwiększają ryzyko porażenia prądem.

e) W przypadku pracy elektronarzędziem pod gołym niebem, należy używać przewodu przedłużającego, dostosowanego również do zastosowań zewnętrznych. Użycie właściwego przedłużacza (dostosowanego do pracy na zewnątrz) zmniejsza ryzyko porażenia prądem.

f) Jeżeli nie da się uniknąć zastosowania elektronarzędzia w wilgotnym otoczeniu, należy użyć wyłącznika ochronnego różnicowo-prądowego. Zastosowanie wyłącznika ochronnego różnicowo-prądowego zmniejsza ryzyko porażenia prądem..

### 3) Bezpieczeństwo osób

a) Podczas pracy z elektronarzędziem należy zachować ostrożność, każdą czynność wykonywać uważnie i z rozwagą. Nie należy używać elektronarzędzia, gdy jest się zmęczonym lub będąc pod wpływem narkotyków, alkoholu lub leków. Moment nieuwagi przy użyciu elektronarzędzia może stać się przyczyną poważnych urazów ciała.

b) Należy nosić osobiste wyposażenie ochronne i zawsze okulary ochronne. Noszenie osobistego wyposażenia ochronnego – maski przeciwpyłowej, obuwia z podeszwami przeciwpoślizgowymi, kasku ochronnego lub środków ochrony słuchu (w zależności od rodzaju i zastosowania elektronarzędzia) – zmniejsza ryzyko obrażeń ciała.

c) Należy unikać niezamierzonego uruchomienia narzędzia. Przed włożeniem wtyczki do gniazdka i/lub podłączeniem do akumulatora, a także przed podniesieniem lub przeniesieniem elektronarzędzia, należy upewnić się, że elektronarzędzie jest wyłączone. Trzymanie palca na wyłączniku podczas przenoszenia elektronarzędzia lub podłączenie do prądu włączonego narzędzia, może stać się przyczyną wypadków.

d) Przed włączeniem elektronarzędzia, należy usunąć narzędzia nastawcze lub klucze. Narzędzie lub klucz,

znajdujący się w ruchomych częściach urządzenia mogą doprowadzić do obrażeń ciała.

e) Należy unikać nienaturalnych pozycji przy pracy. Należy dbać o stabilną pozycję przy pracy i zachowanie równowagi. W ten sposób możliwa będzie lepsza kontrola elektronarzędzia w nieprzewidzianych sytuacjach.

f) Należy nosić odpowiednie ubranie. Nie należy nosić luźnego ubrania ani biżuterii. Włosy, ubranie i rękawice należy trzymać z daleka od ruchomych części. Luźne ubranie, biżuteria lub długie włosy mogą zostać wciągnięte przez ruchome części.

g) Jeżeli istnieje możliwość zamontowania urządzeń odsysających i wychwytyjących pył, należy upewnić się, że są one podłączone i będą prawidłowo użyte. Użycie urządzenia odsysającego pył może zmniejszyć zagrożenie pyłami.

### 4) Prawidłowa obsługa i eksploatacja elektronarzędzi

a) Nie należy przeciążać urządzenia. Do pracy używać należy elektronarzędzia, które są do tego przewidziane. Odpowiednio dobranym elektronarzędziem pracuje się w danym zakresie wydajności lepiej i bezpieczniej.

b) Nie należy używać elektronarzędzia, którego włącznik/wyłącznik jest uszkodzony. Elektronarzędzie, którego nie można włączyć lub wyłączyć jest niebezpieczne i musi zostać naprawione.

c) Przed regulacją urządzenia, wymianą osprzętu lub po zaprzestaniu pracy narzędziem, należy wyciągnąć wtyczkę z gniazda i/lub usunąć akumulator. Ten środek ostrożności zapobiega niezamierzonemu włączeniu się elektronarzędzia.

d) Nieużywane elektronarzędzia należy przechowywać w miejscu niedostępnym dla dzieci. Nie należy udostępniać narzędzia osobom, które go nie znają lub nie przeczytały niniejszych przepisów. Używane przez niedoświadczonych osoby elektronarzędzia są niebezpieczne.

e) Konieczna jest należyta konserwacja elektronarzędzia. Należy kontrolować, czy ruchome części urządzenia działają bez zarzutu i nie są zablokowane, czy części nie są pęknięte lub uszkodzone w taki sposób, który miałby wpływ na prawidłowe działanie elektronarzędzia. Uszkodzone części należy przed użyciem urządzenia oddać do naprawy. Wiele wypadków spowodowanych jest przez niewłaściwą konserwację elektronarzędzi.

f) Należy stale dbać o ostrość i czystość narzędzi tnących. O wiele rzadziej dochodzi do zakleszczenia się

narzędzia tnącego, jeżeli jest ono starannie utrzymane. Zadbane narzędzia łatwiej się też prowadzi.

g) Elektronarzędzia, osprzęt, narzędzia pomocnicze itd. należy używać zgodnie z niniejszymi zaleceniami. Uwzględnić należy przy tym warunki i rodzaj wykonywanej pracy. Niezgodne z przeznaczeniem użycie elektronarzędzia może doprowadzić do niebezpiecznych sytuacji.

## 5) Serwis

a) Naprawę elektronarzędzia należy zlecić jedynie wykwalifikowanemu fachowcowi i przy użyciu oryginalnych części zamiennych. To gwarantuje, że bezpieczeństwo urządzenia zostanie zachowane. **UWAGA: Wykaz części zamiennych użytkownika podano w sekcji 5 dotyczącej montażu.**

## 3. SZCZEGÓŁOWE ZASADY BEZPIECZEŃSTWA

1. Tam gdzie narzędzie tnące mogłoby zetknąć się z niewidocznymi przewodami lub swoim własnym kablem należy go trzymać za izolowane uchwyty. Zetknięcie się z przewodami pod napięciem może spowodować przepływ prądu do odsłoniętych metalowych części narzędzia i porazić prądem operatora.

2. Przed rozpoczęciem eksploatacji narzędzia należy usunąć wszystkie narzędzia regulacyjne takie jak klucze imbusowe i płaskie.

3. Nie wolno eksploatować narzędzia z zamocowaniami innymi niż te zalecane w niniejszym podręczniku.

4. Narzędzie należy eksploatować wyłącznie przy zasilaniu prawidłowym napięciem, zgodnie z tabliczką zamieszczoną na narzędziu.

5. Nigdy nie wolno uruchamiać narzędzia pod obciążeniem. Narzędzie należy uruchomić przed zagłębieniem w części obrabianej.

6. Nigdy nie wolno uruchamiać lub obsługiwać narzędzia podczas gdy palce lub inne przedmioty znajdują się w otworach ostrzy.

7. Należy zachować ostrożność podczas manewrowania ostrzami podczas i po zakończonej pracy. Ostrza oraz niektóre obszary narzędzia nagrzewają się podczas eksploatacji.

8. Zawsze przed cięciem należy upewnić się czy nie występują takie niebezpieczeństwa jak przewody instalacji elektrycznej, rury lub izolacja w obszarze przewidzianym do cięcia.

9. Należy przewidywać czasy odpoczynku na złagodzenie skutków wibracji narzędzia. Należy

stosować rękawice dla zmniejszenia skutków wibracji oddziałujących na organizm.

10. Należy zapewnić aby wyposażenie odpylające było prawidłowo podłączone i użytkowane.

11. Ręce muszą być czyste, nie zanieczyszczone olejami i smarami.

12. Jeśli osłona lub inna część nosi znamiona uszkodzenia, należy ją dokładnie sprawdzić w celu określenia czy będzie ona mogła pracować poprawnie i realizować jej zamierzone funkcje.

13. Stosowanie jakichkolwiek akcesoriów lub zamocowań innych niż te zalecane w niniejszym podręczniku może prowadzić do ryzyka powstania obrażeń u ludzi.

14. Nie należy przeciążać narzędzia. Zostało ono zaprojektowane do pracy przy umiarkowanym obciążeniu. Jeśli urządzenie zostanie przeciążone może wystąpić przegrzewanie się układu napędowego i silnika.

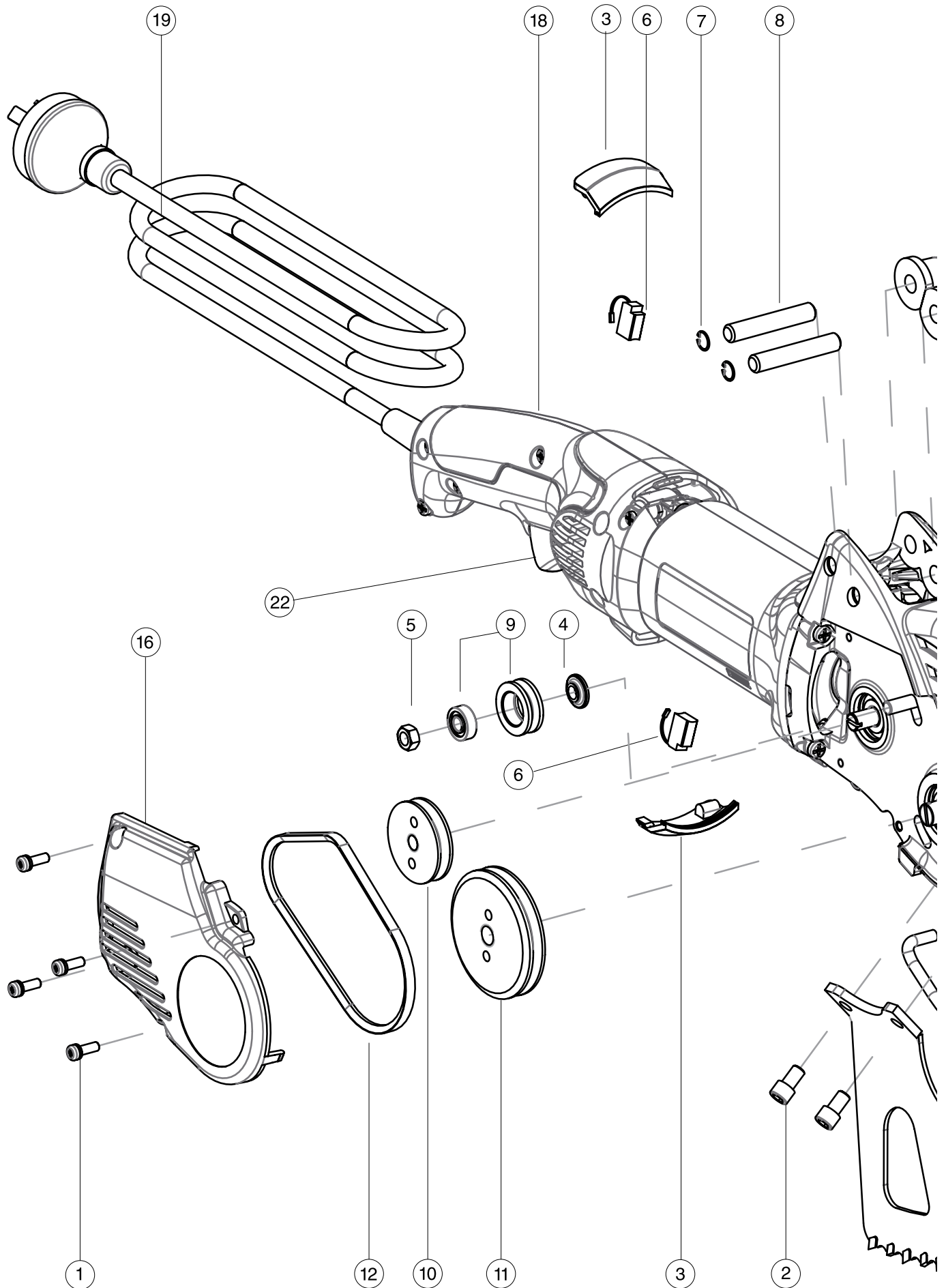
15. Narzędzie należy zawsze obsługiwać trzymając je w obu rękach.

SYMBOLE Poniżej pokazano symbole stosowane w tym podręczniku.

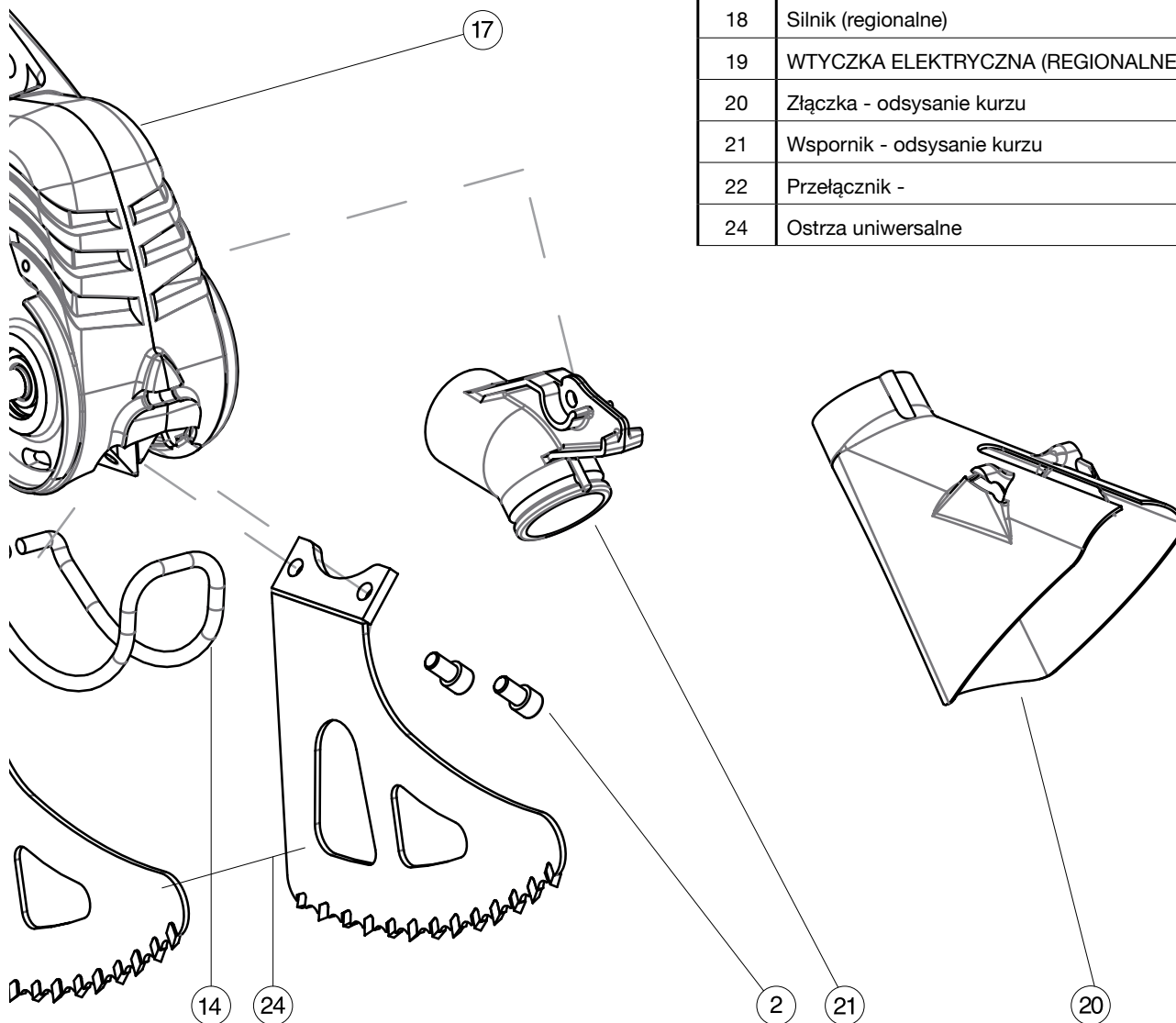
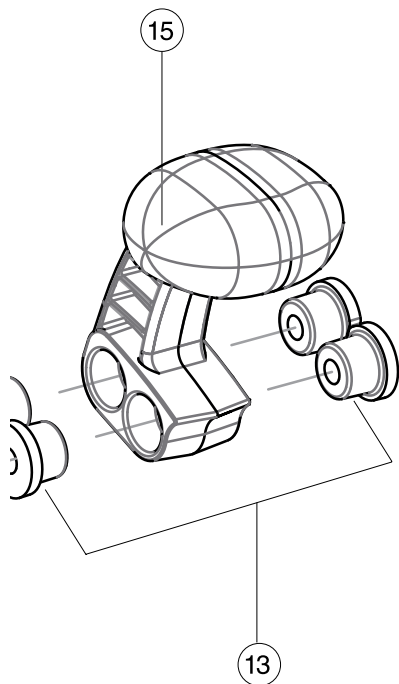
	Klasa 2 Konstrukcja (izolacja podwójna bez potrzeby stosowania uziemienia).
VAC	wolty prąd zmienny
A	ampery
Hz	Herców
W	wat
N <sub>0</sub>	prędkość bez obciążenia
rpm	obroty na minutę
dB	decybele
Nm	niutonometry
m	metry
m/s	metry na sekundę
mm	milimetry
kg-m	kilogramometry
ft-lb	funty na stopę

## 4. OPIS DZIAŁANIA

## 5. MONTAŻ



TOP



1	Śruba - pokrywa pasa, M4x12	4
2	Śruba - ostrze, M6 x10	4
3	Szczotka - pokrywa	2
4	Podkładka - stopień	1
5	Nakrętka - Nyloc M6	1
6	Szczotka - Węgiel	2
7	Zacisk - wewnętrzny	2
8	Kołek	2
9	Koło pasowe - naciąg z łożyskiem - 696	1
10	Koło pasowe - moc	1
11	Koło pasowe - napęd	1
12	Pas	1
13	Tuleja	4
14	Ośłona	1
15	Uchwyt - górny	1
16	Pokrywa - pas	1
17	Obudowa	1
18	Silnik (regionalne)	1
19	WTYCZKA ELEKTRYCZNA (REGIONALNE)	1
20	Złącza - odsysanie kurzu	1
21	Wspornik - odsysanie kurzu	1
22	Przełącznik -	1
24	Ostrza uniwersalne	1

## 4.1 OPIS DZIAŁANIA AS170

Piła AS170 przeznaczona jest do cięcia materiałów kruchych, takich jak zaprawa, cegła wypalana, płyty kartonowo-gipsowe, płyty pilśniowe, panele cementowo-włókniste i drewno. Piła AS170 ma w zastosowaniu całą paletę brzeszczotów przeznaczonych do danego typu materiału. Ostrza mogą być również zmieniane celem dostosowania do wymaganej głębokości lub długości cięcia.

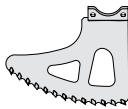
Brzeszczoty wprawiane są w ruch poprzez korbowód, który jest napędzany poprzez pasek wałkiem krzywkowym. Pasek klinowy posiada możliwość pewnego poślizgu w przypadku blokady brzeszczotu. **NAPIĘCIE PASKA MUSI BYĆ SPRAWDZANE PO PIERWSZYCH 5 GODZINACH UŻYTKOWANIA.** Poprzez usunięcie osłony plastikowej można go łatwo wymienić; do jego naciągu przeznaczona jest specjalna rolka naciągowa (patrz sekcja 7.2). Brzeszczoty mocowane są do uchwyty korbowodowego za pomocą śrub imbusowych o wysokiej wytrzymałości.

Dostarczona wraz z piłą wymienna osłona metalowa zmniejsza maksymalną głębokość cięcia i zapobiega uszkodzeniu powierzchni ciętego materiału powodowanego uchwytem brzeszczotu. Dzięki gumowemu uchwytowi, amortyzowane są uderzenia i wibracje. Górny uchwyt jest jeszcze, oprócz tego, tak zaprojektowany, że zapewniona jest wygodna obsługa piły w różnych kierunkach cięcia. Osłona gumowa na górnym uchwycie może zostać wymieniona w przypadku jej zużycia lub uszkodzenia.

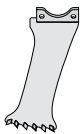
## 4.2 OPIS OSTRZA

Piła AS170 ma w zastosowaniu szeroką gamę brzeszczotów do cięcia różnych materiałów i profili.

**Brzeszczoty uniwersalne posiadają ostrza z węglików spiekanych. Są one przystosowane do cięcia muru z normalnej cegły i do pracy w ziemi. Brzeszczoty uniwersalne są przewidziane do cięcia na głębokość do 115 mm.**



**Brzeszczoty wyrzynania posiadają ostrza z węglików spiekanych i pozwalają na maksymalną głębokość cięcia równą 120 mm. Brzeszczoty pozwalają na wycięcie rowka o długości 75 mm.**



**Brzeszczoty do wycinania otworów dla puszek elektrycznych posiadają ostrza z węglików spiekanych i pozwalają na cięcie na głębokość 120 mm. Przystosowane są do instalowania małych puszek elektrycznych w tynku/ cegle/ ścianie murowanej.**



**Brzeszczoty do spoin służą do usuwania zaprawy ze spoin występujących między cegłą i strefą prac renowacyjnych. Maksymalna głębokość cięcia wynosi 35 mm.**



**Brzeszczoty do drewna stosowane są do cięcia czystego drewna i posiadają maksymalną głębokość cięcia 110 mm.**



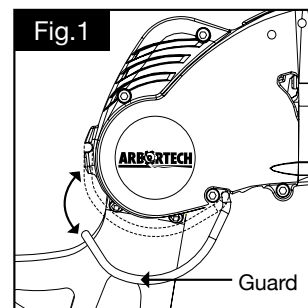
**INFORMACJA: Wszystkie brzeszczoty mogą być naostrzone w przypadku, jeżeli zużycie nie jest nadmierne.**

## 6. EKSPLOATACJA

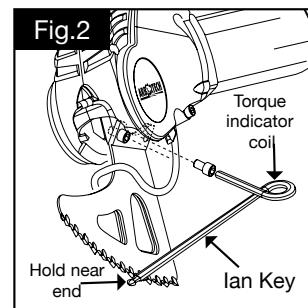
### 6.1 Ustawianie

Piła AS170 dostarczana jest w stanie gotowym do rozruchu, należy jednak wymienić brzeszczot na odpowiedni w zależności od ciętego materiału.

Przed wymianą brzeszczotu należy dokładnie przesunąć do przodu pałąk ochronny ze szczeliny na przedzie narzędzia celem dojścia do łbów śrub. (Patrz rysunek 1).



Za pomocą będącego na wyposażeniu klucza do śrub sześciokątnych odkręcić śruby mocujące brzeszczot a następnie zdjąć brzeszczot jak przedstawiono na rysunku 2.



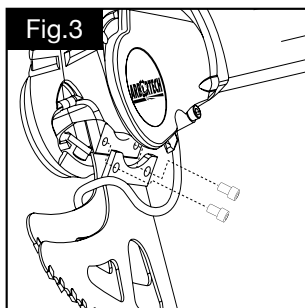
Wybrać brzeszczoty odpowiednie dla danego materiału i zamontować je śrubami. Przed wprowadzeniem brzeszczotów prosimy dopilnować, aby powierzchnie mocowania brzeszczotów, gwinty wodzika i śruby były czyste i wolne od smarów oraz aby pałąk ochronny dał się zamknąć przed zamocowaniem brzeszczotu do wodzika (patrz rysunek 2).

**INFORMACJA:** Prosimy używać par brzeszczotów tego samego rodzaju. Nigdy nie zakładać nowych i stępionych brzeszczotów razem. Stosować jedynie



firmowe śruby.

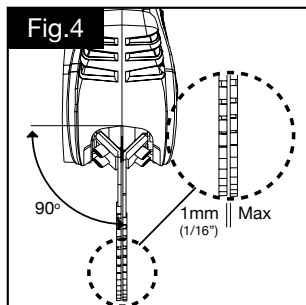
Dokręcać śruby do mocowania brzeszczotu specjalnym kluczem lan, tak długo, aż strzałka momentu obrotowego wychyli się do tego stopnia, że obydwie strony się spotkają. Klucz lan pozwoli na dokręcenie śrub do wymaganych 18 Nm.



**INFORMACJA:** Brzeszczoty stanowią część zużywającą się. W trakcie zwykłej pracy żywotność brzeszczotu może różnić się zależnie od ciętego materiału.

**UWAGA:** Nie uruchamiać elektronarzędzia, gdy brzeszczoty są luźne. Praca z brzeszczotami, które nie zostały dobrze dokręcone, prowadzi do poważnych uszkodzeń uchwytów brzeszczotów i śrub.

Zapewnić, aby ostrza poruszały się lekko i sprawnie i były w odstępie od siebie o ok. 1 mm (patrz rysunek 4).



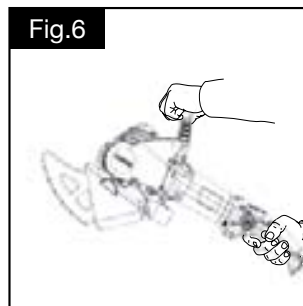
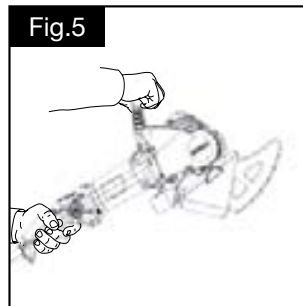
Jeśli odstęp między brzeszczotami jest za mały – co może się zdarzyć po pewnym czasie użytkowania – to należy je zdemontować i delikatnie dogiąć celem wytworzenia właściwego odstępu. Zapewnić, aby obydwa brzeszczoty były skierowane prostopadłe do narzędzia (patrz rys. 4).

**UWAGA!:** Jeśli brzeszczoty dotykają siebie w odległości ponad 25 mm od ciętej powierzchni lub siła docisku jest zbyt duża, to prowadzić to może do przeciążenia urządzenia i przedwczesnego zużycia paska.

Prosimy o wycofanie pałaka ochronnego w przewidzianą do tego szczelinę z przodu narzędzia i wcisnąć go w nią mocno. (Patrz rysunek 1).

## 6.2 Eksploatacja

**INFORMACJA:** podczas używania piły AS170 mogą pojawić się vibracje w okolicach ramienia i dłoni, które po dłuższym czasie prowadzić mogą do zmęczenia lub dolegliwości. W przypadku wzrastającej twardości materiału wzrastają również vibracje. W przypadku odczuwalnych dolegliwości prosimy o przerwanie pracy i zrobienie przerwy w cięciu. Celem uzyskania dalszych informacji prosimy skontaktować się z producentem.

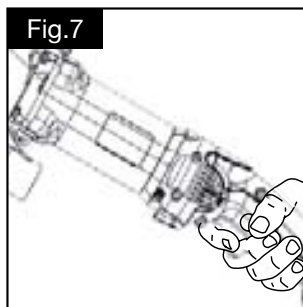


Przed przystąpieniem do eksploatacji narzędzia prosimy o sprawdzenie czy sekcja dotycząca bezpieczeństwa w tym podręczniku została przeczytana.

Prosimy o stosowanie środków ochrony słuchu, układu oddechowego, wzroku i ciała, stosownie do przypadku.

Przy zabezpieczonym brzeszczocie oraz przełączniku narzędzia w pozycji WYŁ, wprowadzić wtyczkę narzędzia do gniazdka zasilania.

**UWAGA!:** Prosimy dopilnować, aby szczeliny wprowadzające powietrze chłodzące nie były zasłonięte i aby nie przedostawał się przez nie kurz lub brud do tylnej części silnika, gdyż prowadzić to może do jego przegrzania. W przypadku pracy w zakurzonej otoczeniu zaleca się regularne czyszczenie szczelin sprężonym powietrzem (patrz rysunek 7).

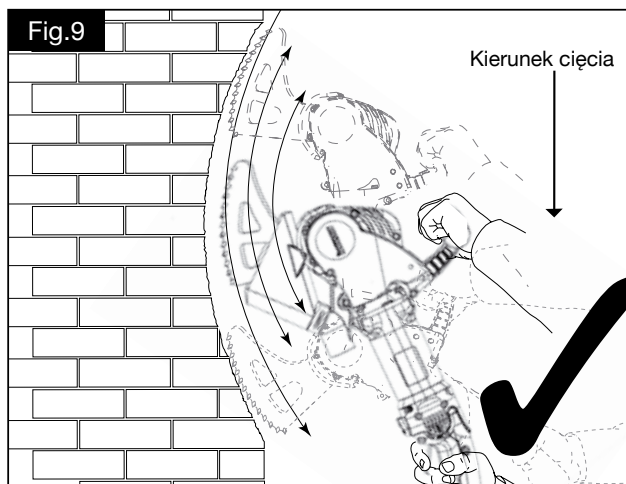
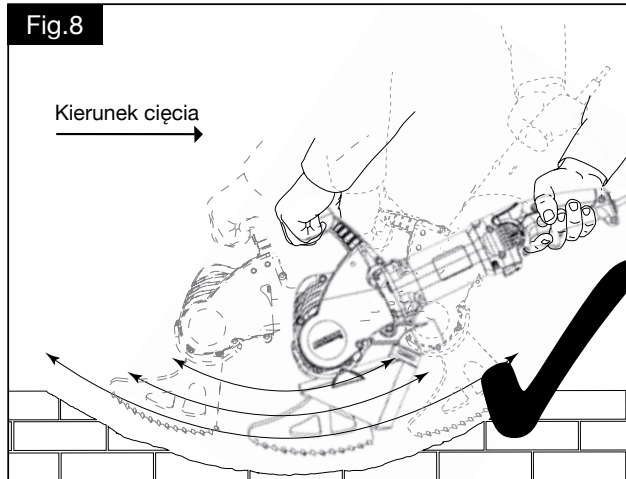


Prosimy trzymać elektronarzędzie za górny uchwyt oraz za uchwyt na obudowie silnika (patrz rysunek 5 i 6)

Aby rozpocząć cięcie, prosimy chwycić elektronarzędzie oburącz i przyłożyć środkową część powierzchni tnącej do ciętego materiału. Prosimy o prowadzenie cięcia w kierunku tyłu

brzeszczotów.

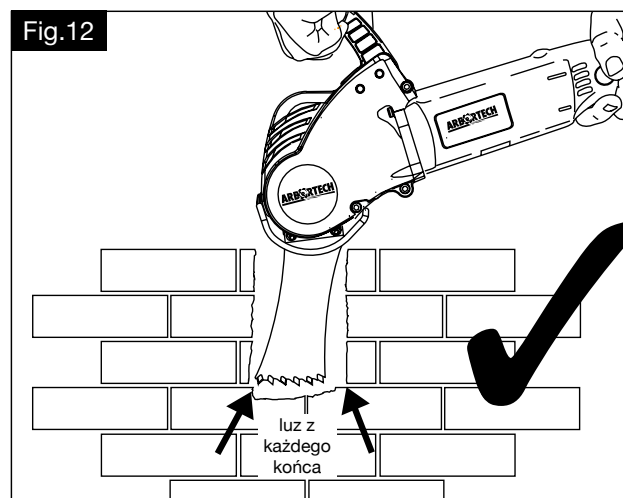
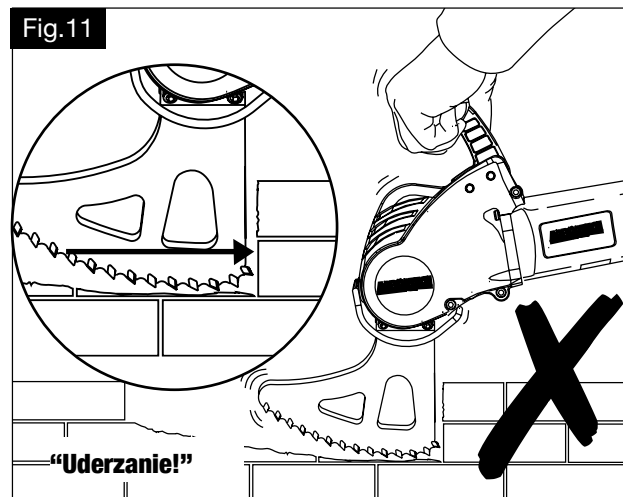
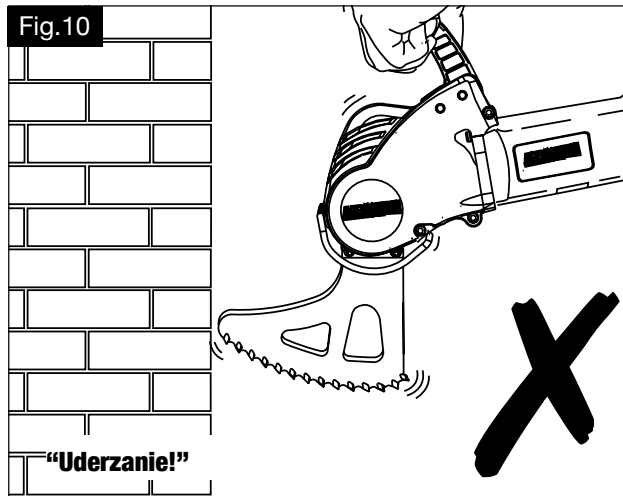
Podczas cięcia prosimy o prowadzenie elektronarzędzia i brzeszczotów powoli, tak jak „ruch piłą“, celem osiągnięcia optymalnej wydajności cięcia, minimalizowania wytwarzanego ciepła i jednolitego obciążenia brzeszczotów (patrz rysunek 8 i 9).



**UWAGA!** Przednie i tylne krawędzie brzeszczotów nie mogą uderzać twardych powierzchni (patrz rysunek 10, 11 i 13), gdyż prowadzi to do uszkodzenia brzeszczotów i elektronarzędzia. Gdyby się tak stało, to prosimy o natychmiastowe wyłączenie elektronarzędzia i wyjęcie go z nacięcia w materiale.

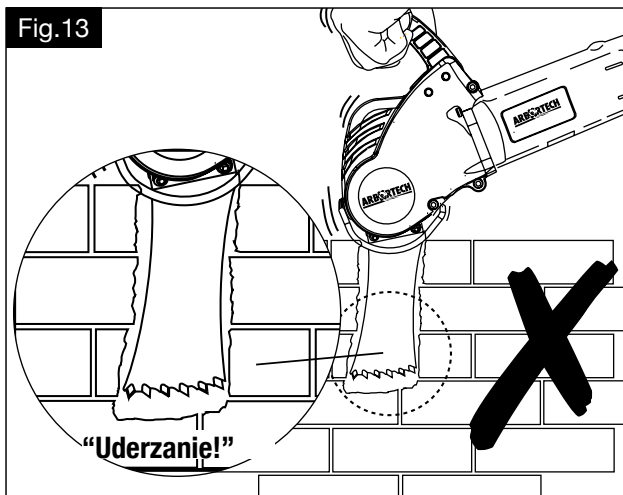
Przy stosowaniu wszelkich typów brzeszczotów, prosimy o wolne prowadzenie elektronarzędzia z jednostajną prędkością celem uniknięcia uderzenia krawędzią brzeszczotów o koniec nacięcia. Celem osiągnięcia optymalnej wydajności, prosimy o zapewnianie, aby tylko część brzeszczotu stykała się z obrabianym materiałem.

**UWAGA!** Przy kładzeniu elektronarzędzia prosimy zważać na to, aby nie uszkodzić ostrzy ze spieków węglkowych.



Przy używaniu brzeszczotów służących do wyrzynania należy zapewnić wystarczającą ilość wolnej przestrzeni po obydwóch stronach (patrz rozdział 12) celem uniknięcia uderzenia w krawędź brzeszczotów. (Patrz rozdział 13).

Fig.13



## 7. KONSERWACJA

⚠ **OSTRZEŻENIE:** Aby zmniejszyć ryzyko poważnych obrażeń u personelu, przed przystąpieniem do jakichkolwiek regulacji lub usuwania/instalowania zamocowań lub akcesoriów należy wyłączyć narzędzie i całkowicie odłączyć od źródła zasilania. Przed ponownym włączeniem narzędzia, należy wcisnąć i zwolnić przełącznik włączający celem upewnienia się czy narzędzie jest wyłączone.

Aby zapewnić **BEZPIECZEŃSTWO** i **NIEZAWODNOŚĆ** tego produktu, naprawy, konserwacja i regulacje ( w tym kontrola szczotek i ich wymiana) winny być wykonywane przez autoryzowane centrum serwisowe. Zawsze należy stosować identyczne części zamienne.

### 7.1 Silnik

#### Czyszczenie

**UWAGA:** Wydmuchiwanie kurzu oraz cząstek stałych z silnika i włącznika za pomocą czystego, suchego sprężonego powietrza stanowi konieczną procedurę regularnej konserwacji. Kurz i cząstki stałe często nagromadzają się na wewnętrznych powierzchniach i mogą powodować przedwczesną awarię. Nie regularne czyszczenie piły AS170 będzie wpływać na gwarancję narzędzia.

⚠ **UWAGA:** **ZAWSZE NALEŻY STOSOWAĆ OKULARY OCHRONNE** podczas używania lub czyszczenia tego narzędzia. Nigdy nie wolno stosować rozpuszczalników lub agresywnych chemikaliów do czyszczenia niemetalowych części narzędzia. Należy stosować wyłącznie czystą i suchą ściereczkę.

#### Smarowanie

Narzędzia ARBORTECH są właściwie nasmarowane w fabryce i są gotowe do użytkowania.

## Akcesoria

Aby obniżyć ryzyko obrażeń, dopuszczalne jest stosowanie z tym produktem wyłącznie akcesoriów ARBORTECH. Zalecane akcesoria do stosowania z urządzeniem są oferowane odpłatnie u lokalnych dealerów lub w autoryzowanych centrach serwisowych.

## Naprawy

Jeśli potrzebna jest pomoc w lokalizacji dowolnych akcesoriów, lub jeśli występują ogólne zapytania dotyczące narzędzia prosimy o skontaktowanie się w tej sprawie w miejscu dokonania zakupu lub odwiedzić stronę [www.arbortech.com.au](http://www.arbortech.com.au).

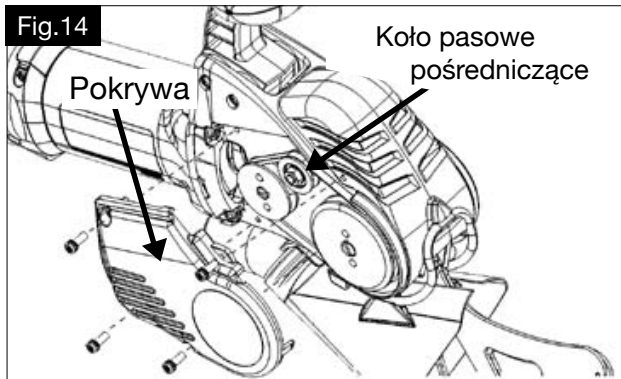
## Szczotki

Piła AS170 wyposażona jest automatycznie wyłączające się szczotki. Gdy szczotki są zużyte poniżej minimalnej długości powoduje to zatrzymanie pracy urządzenia, co obniża ryzyko wewnętrzne uszkodzenia silnika. Prosimy o skontaktowanie się z naszym dealerem lub autoryzowanym centrum serwisowym w sprawie wymiany szczotek.

### 7.2 V Pasek klinowy i koła pasowe

**UWAGA:** Pasek klinowy powinien zostać powtórnie naciągnięty po pierwszych 5 godzinach użytkowania. Wraz z narzędziem dostarczane są zapasowe paski klinowe. Pasek jest przewidziany jako bezpiecznik/sprzęg dla zabezpieczenia produktu w przypadku zakleszczenia brzeszczotu.

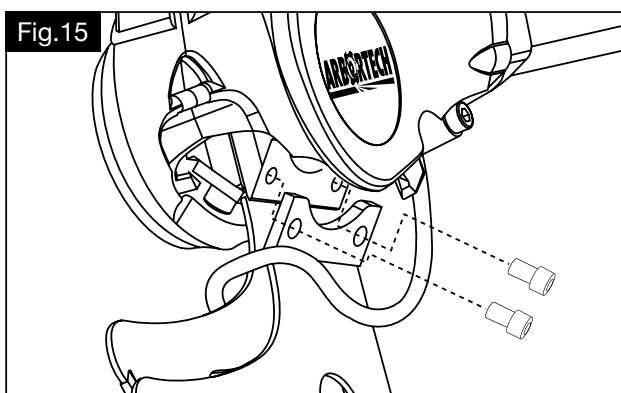
Aby uzyskać dostęp do tych elementów, należy wymontować 4 śruby mocujące plastikową pokrywę po prawej stronie narzędzia (patrz rys. 15). Skontrolować pas pod względem prawidłowego naciągnięcia i oznak uszkodzenia. Jeśli wymagane jest powtórne naciągnięcie, należy poluzować nakrętkę na kole pasowym pośredniczącym (tylko o jeden obrót). Przesunąć koło napinające na zewnątrz dla zwiększenia naprężenia do wartości podawanej w Ogólnych Specyfikacjach w Sekcji 3 i ponownie dokręcić, Jeśli wymagana jest wymiana paska, należy poluzować koło pasowe pośredniczące, wymienić pasek i dokręcić koło pośredniczące zgodnie ze specyfikacją.



Nadmierny poślizg może prowadzić do zużycia koła pasowego. Zużyte koło pasowe można poznać po tym, że rowek nie ma prawidłowego profilu „V”, lecz jest zaokrąglony lub spłaszczony. Celem wymiany koła pasowego prosimy skontaktować się z najbliższym autoryzowanym serwisem ARBORTECH.

### 7.3 Śruby i gwinty na uchwycie mocowania brzeszczotów

Śruby na uchwycie do mocowania brzeszczotów powinny być regularnie sprawdzane pod względem momentu dokręcenia (16 N-m.). Przy każdorazowej wymianie brzeszczotów należy dokonać przeglądu śrub i gwintów na wodziku pod kątem zużycia i zabrudzenia. Prosimy o stosowanie wyłącznie części ARBORTECH i nie smarowanie ani śrub, ani gwintów, ani powierzchni styków brzeszczotu z wodzikiem.



**UWAGA!** Prosimy o dopilnowanie, aby elektronarzędzie nie było używane z poluzowanymi brzeszczotami. Jeśli podczas użytkowania brzeszczoty mają luz, to może to prowadzić do uszkodzenia mocowania brzeszczotów i gwintów, co prowadzi do znacznych kosztów naprawy.

### 7.4 Ostrość zębów

Poprzez użytkowanie brzeszczoty tępią się i wydajność cięcia spada. Można tego w znacznym stopniu uniknąć poprzez ostrzenie uzębienia. Aby zaostrić zęby brzeszczotu, należy zastosować

ściernicę ARBORTECH (BLA.FG. SHARP001). Okazjonalnie, w przypadku cięcia bardzo twardych materiałów, uderzenia zębów o twarde powierzchnie pod dodatkowym kątem, może dojść do łuszczenia się lub pęknięcia zębów, Brzeszczoty mogą być używane nadal, lecz wyniki cięcia zostaną pogorszone.

Jeśli wystąpi zabarwienie na niebiesko obrzeży brzeszczotu, oznacza to, że narzędzie pracuje w zbyt wysokiej temperaturze. Przypadek taki wystąpi jeśli brzeszczoty zużyją się, będzie stosowane zbyt duże obciążenie, a operator będzie wykonywał niewystarczający ruch „wahadłowy”, lub gdy materiał stanie się zbyt twardy.

**WAŻNA INFORMACJA:** Aby zapewnić optymalne wyniki pracy i obniżyć obciążenie silnika, brzeszczoty powinny być zawsze ostre.

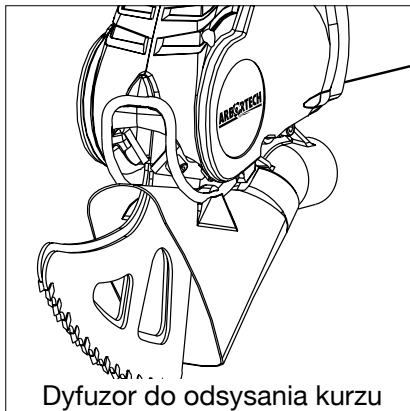
## 8. AKCESORIA

### 8.1 Odkurzanie

Piła AS170 powinna być wyposażona w dyfuzor do odsysania kurzu, który w przypadku prawidłowego zastosowania zapewnia znaczne zmniejszenie pylenia ciężkim kurzem budowlanym. Składa się on z kształtki przyłączeniowej montowanej do dolnej części obudowy aluminiowej i regulowanego dyfuzora odkurzającego, który w przypadku zużycia może być wymieniony. Złączka posiada standardowy wymiar o średnicy wewnętrznej 30 mm.

**INFORMACJA:** niestosowanie dyfuzora odkurzającego podczas cięcia muru prowadzi do nadmiernego zużycia części elektrycznych urządzenia. Uszkodzenia powodowane przez kurz prowadzą do powstawania przedwczesnych problemów z silnikiem i mają również wpływ na odpowiedzialność gwarancyjną producenta.

**UWAGA!** Prosimy o dopilnowanie, aby stosowane urządzenie podciśnieniowe do odsysania było wyposażone w odpowiedni system filtrowania przystosowany do rodzaju ciętego materiału. Nieprawidłowa filtracja prowadzi do niewystarczającej kontroli zapylenia i spowodować może uszkodzenia urządzenia wytwarzającego podciśnienie.



Dyfuzor do odsysania kurzu

## 9. SPECYFIKACJE

POZYCJA	SPECYFIKACJA
Głębokość/szerokość cięcia	120mm (4 3/4")/6.5mm (1/4"), (depending on blade/material)
Ciężar z brzeszczotem.	4.3kg (9.5lb)
Wymiary bez brzeszczotu.	450 mm (17 7/8") L 75 mm (3") W 240 mm (9 1/2") H
Prędkość bez obciążenia $n_0$	5100 rpm
Napięcia znamionowe.	230-240 VAC, 50Hz, 1250W (Australia) 230 VAC, 50 Hz (Europe) 110 - 120 VAC, 50-60 Hz 13A (USA/CANADA/UK Industrial)
Przyłącze dla węża odkurzacza.	25mm (1") , 32mm (1 1/4"), 37mm (1 3/8")
Naciąg pasa.	1 mm maks. środkowy przewodnik siłą 25 N (2,5 kg) siła ugięcia
Moment obrotowy trzpienia uchwytu brzeszczotu.	18 Nm (1.8 kg-m), (13.2ft-lb), niesmarowany

## DANE TECHNICZNE

Wibracje	7.7 m/s <sup>2</sup>
Hałas	92db

Deklarowany poziom emisji wibracji oparty jest na pomiarach reprezentujących główne zastosowania narzędzia. Tym niemniej, jeśli urządzenie jest stosowane w różnych aplikacjach, z różnymi akcesoriami lub źle konserwowane, poziom wibracji może być inny. Może to znacząco zwiększyć poziom narażenia na wibracje w całym okresie roboczym. Oszacowanie poziomu narażenia na wibracje powinno również uwzględniać czasy, w których narzędzie jest wyłączone, lub gdy pracuje lecz w rzeczywistości nie wykonuje pracy. Może to znacząco obniżyć poziom narażenia w całym okresie roboczym. Należy rozpoznać dodatkowe środki ochronne dla zabezpieczenia operatora przed skutkami wibracji, takie jak: konserwacja narzędzia i akcesoriów, zachowywanie gotowości, organizacja modeli robót.

Podane tu wartości wskazują wyłącznie głośność emitowaną przez tą maszynę. Sytuacja, w której operator powinien stosować środki ochrony słuchu nie jest zdefiniowane w tym miejscu. Jest to uzależnione od tego, jak wielki hałas dociera do uszu operatora. Nawet jeśli nie ma oficjalnego wymagania, należy pamiętać, że zawsze leży to w interesie użytkownika aby zakładał środki ochrony słuchu przy pracy z tym urządzeniem



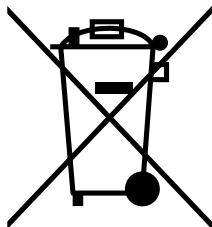
## 10. GWARANCJA I SERWIS

Odnośnie napraw gwarancyjnych, przeglądów, serwisu i części zamiennych, prosimy kontaktować się z miejscem zakupu, lub odwiedzić naszą stronę: [www.arbortech.com.au](http://www.arbortech.com.au), celem zlokalizowania dealera lub agenta serwisowego w Państwa sąsiedztwie, lub

ARBORTECH PTY LTD 67 WESTCHESTER ROAD •  
MALAGAPERTH • WESTERN AUSTRALIA • 6090T:  
+61 8 9249 1944F: +61 8 9249 2936US Faks: (866)  
515 8104www.arbortech.com.au E: arbortech@  
arbortech.com.au.

### Zagospodarowanie

Tylko dla krajów WE: Nie wolno wyrzucać elektronarzędzi do odpadów z gospodarstw domowych! Zgodnie z Dyrektywą 2002/96/WE w sprawie zużytego sprzętu elektrycznego i elektronicznego oraz jej wdrożeniem w prawodawstwo krajowe, elektronarzędzia, które nie będą już dłużej eksploatowane należy zbierać oddzielnie i usuwać w sposób przyjazny dla środowiska.



### Deklaracja zgodności

Na naszą wyłączną odpowiedzialność deklarujemy

niniejszym, że produkt AS170 - Piła do cegieł i zapraw opisywana w "specyfikacjach: jest zgodna z następującymi normami lub dokumentami normalizującymi : EN60745 zgodnie z postanowieniami Dyrektywy Maszynowej 2006/42/EC.

Dokumentacja techniczna w:  
Arbortech PTY LTD  
67 Westchester Road  
Malaga, WA 6090

---

Kevin Inkster  
Prezes  
Arbortech Pty Ltd

Arbortech PTY LTD  
67 Westchester Road  
Malaga, WA 6090

---

Sven Blinks  
Dyrektor Handlowy  
Arbortech Pty Ltd

## 11. USUWANIE USTEREK

Ta diagnoza usterek kierowana jest do osób znających się na urządzeniach mechanicznych. Daje ona podstawowe informacje o konserwowaniu narzędzia. Do rozwiązywania problemów, z którymi spotka się użytkownik, pomocny jest rozdział o konserwacji zawarty w tej instrukcji. Kompleksowe naprawy, opisane poniżej, muszą być wykonywane przez autoryzowane centrum serwisowe.

POZYCJA	OBJAW	SPRAWDZENIE/ŚRODEK ZARADCZY
1	Przegrzewanie silnika	<ul style="list-style-type: none"> <li>• Dopilnować, aby szczeliny chłodzące nie były zasłonięte ręką użytkownika, żywirem w otworach wentylacyjnych lub innymi zanieczyszczeniami. W razie potrzeby usunąć i oczyścić.</li> <li>• Skontrolować, czy brzeszczoty nadmiernie nie ocierają się o siebie lub o krawędzie tnące, ani o miejsca w rejonie ich mocowania.</li> <li>• Brzeszczoty mogą się w ten sposób zużywać i przegrzewać. W razie awarii należy je wymienić.</li> <li>• Sprawdzić, czy naciąg paska nie jest zbyt mocny.</li> <li>• Sprawdzić, czy łożyska kulkowe pracują prawidłowo. W tym celu należy zdjąć plastikową boczną osłonę i pasek oraz pokręcić ręką oba koła pasowe. Prosimy zwrócić uwagę na chropowatość. Koło napędowe powinno dać się lekko i jednolicie obrócić. Koło napędowe powinno lekko „sprężynować”, sprawiając wrażenie pozostania w obydwu pozycjach.</li> <li>• Upewnić się, czy obudowa silnika jest solidnie skręcona odpowiednim narzędziem. Jeśli nie, należy natychmiast zwrócić się do autoryzowanego serwisu.</li> </ul>
2	Głośna praca lub niezwykle wibracje	<ul style="list-style-type: none"> <li>• Poluzowane brzeszczoty – dokręcić śruby montażowe na mocowaniu.</li> <li>• Brzeszczoty zużyte – wymienić parę brzeszczotów.</li> <li>• Popsuta sprężyna – skontaktować się z autoryzowanym serwisem.</li> <li>• Popsute łożysko kulkowe – skontaktować się z autoryzowanym serwisem.</li> <li>• Uszkodzona przekładnia – skontaktować się z autoryzowanym serwisem.</li> <li>• Gumowe zamocowania uchwytu uszkodzone lub zużyte - wymienić.</li> </ul>
3	Gumowe zamocowania uchwytu uszkodzone lub zużyte	<ul style="list-style-type: none"> <li>• wymienić.</li> </ul>
4	Jeden lub oba wodziki/brzeszczoty poluzowane, pomimo zamocowania śrubami.	<ul style="list-style-type: none"> <li>• Uszkodzona sprężyna – skontaktować się z autoryzowanym serwisem ARBORTECH.</li> </ul>
5	Narzędzie pracuje a brzeszczot nie porusza się	<ul style="list-style-type: none"> <li>• Luźny lub zerwany pasek klinowy - ponownie napiąć lub wymienić, w razie potrzeby.</li> <li>• Zużyty pasek - wymienić pasek.</li> </ul>
7	Brzeszczoty stale zwiększają luz.	<ul style="list-style-type: none"> <li>• Sprawdzić otwory śrub brzeszczotu.</li> </ul>
8	Zużyte koła pasowe	<ul style="list-style-type: none"> <li>• Zużyte koła pasowe - skontaktować się z autoryzowanym serwisem ARBORTECH.</li> </ul>
9	Słabe wyniki cięcia	<ul style="list-style-type: none"> <li>• Zęby zużyte, złuszczone lub wypadły. Zaostrzyć lub wymienić brzeszczot.</li> <li>• Poślizg paska - patrz objaw 4.</li> </ul>
10	Brzeszczoty trą o siebie z nadmierną siłą.	<ul style="list-style-type: none"> <li>• Materiał zbyt twardy.</li> </ul>

POZYCJA	OBJAW	SPRAWDZENIE/ŚRODEK ZARADCZY
11	Brzeszczoty trą o siebie z nadmierną siłą.	<ul style="list-style-type: none"> <li>• Wymontować brzeszczoty i lekko wygiąć dla skorygowania.</li> </ul>
12	Zęby brzeszczotu złuszczone lub utracone.	<ul style="list-style-type: none"> <li>• Usterka ta występuje okazjonalnie, jeśli piła napotka twardego materiał lub jeśli "tylna strona" zęba jest uszkodzona.</li> <li>• Brak ostrożności przy opuszczaniu narzędzia na zęby na twardej powierzchni lub luźno złożone w skrzyni narzędziowej.</li> <li>• Zużyte brzeszczoty zaczynają nagrzewać się w pewnych obszarach, powodując odspajanie zębów - wymienić brzeszczoty.</li> <li>• Materiał zbyt twarde.</li> </ul>
13	Poluzowany górny uchwyt.	<ul style="list-style-type: none"> <li>• Zużyte lub uszkodzone szczotki gumowe - wymienić.</li> </ul>
14	Brzeszczoty nabierają niebieskiej barwy.	<ul style="list-style-type: none"> <li>• Zużyte zęby - wymienić brzeszczoty.</li> <li>• Została zastosowana nadmierna siła.</li> <li>• Niewystarczające ruchy "jak przy zwykłym piłowaniu" wykonywane przez operatora.</li> <li>• Materiał zbyt twarde.</li> </ul> <p>Brzeszczoty ocierają się o siebie z nadmierną siłą (patrz sekcja 8).</p>
15	Śruby mocujące brzeszczotów nie w pełni dokręcone.	<ul style="list-style-type: none"> <li>• Gwinty na śrubach zerwane - wymienić śruby niedokręcone.</li> </ul>
16	Gwinty na narzędziu zerwane.	<ul style="list-style-type: none"> <li>• Skontaktować się z autoryzowanym centrum serwisowym ARBORTECH.</li> </ul>
17	Narzędzie nie pracuje.	<ul style="list-style-type: none"> <li>• AS170 jest wyposażona w automatyczne wyłączanie szczotek.</li> <li>• Sprawdzić szczotki pod kątem uszkodzenia lub nadmiernego zużycia - wymienić. Skontaktować się z autoryzowanym centrum serwisowym ARBORTECH.</li> </ul>







Arbortech Pty Ltd  
Address:  
67 Westchester Road  
Malaga, WA 6090

Telephone:  
Int: +61 8 9249 1944

Australia Fax:  
Int: +61 8 9249 2936

Email:  
arbortech@arbortech.com.au