

# VL series

2,200kg / 2,500kg / 3,000kg / 3,500kg

## Electric forklift trucks



- High Visibility Masts and optional Side Shifting Fork Positioner
- Password protected eLo and HiP performance settings
- YaleStop automatic park brake
- Lowest whole body vibration (WBV) levels
- Continuous Stability Enhancement (CSE)
- Oil-immersed brakes
- CAN bus technology

## VDI 2198 - General Specifications

		Distinguishing mark				
		Yale	Yale	Yale	Yale	Yale
1.1	Manufacturer (abbreviation)		Yale	Yale	Yale	Yale
1.2	Manufacturer's type designation		<b>ERP 22 VL MWB</b>	<b>ERP 22 VL MWB</b>	<b>ERP 25 VL MWB</b>	<b>ERP 25 VL MWB</b>
	Model		Value	Productivity	Value	Productivity
1.3	Drive: electric (battery or mains), diesel, petrol, fuel gas		Electric (battery)	Electric (battery)	Electric (battery)	Electric (battery)
1.4	Operator type: hand, pedestrian, standing, seated, order-picker		Seated	Seated	Seated	Seated
1.5	Rated capacity/rated load	Q (t)	2.2	2.2	2.5	2.5
1.6	Load centre distance	c (mm)	500	500	500	500
1.8	Load distance, centre of drive axle to fork	x (mm)	419	419	419	419
1.9	Wheelbase	y (mm)	1606	1606	1606	1750
<b>Weights</b>						
2.1	Service weight ●	kg	4520	4670	4520	4870
2.2	Axle loading, laden front/rear ●	kg	5739 / 977	5640 / 1224	6211 / 805	6114 / 1254
2.3	Axle loading, unladen front/rear ●	kg	2279 / 2236	2018 / 2646	2279 / 2236	1805 / 3063
<b>Tyres/chassis</b>						
3.1	Tyres: P = pneumatic, C = cushion, SE = superelastic		SE	SE	SE	SE
3.2	Tyre size, front		23 x 10 - 12	23 x 10 - 12	23 x 10 - 12	23 x 10 - 12
3.3	Tyre size, rear		18 x 7 - 8	18 x 7 - 8	18 x 7 - 8	18 x 7 - 8
3.5	Wheels, number front/rear (x = driven wheels)		2X / 2	2X / 2	2X / 2	2X / 2
3.6	Tread, front	b <sub>10</sub> (mm)	938 / 1054	938 / 1054	938 / 1054	938 / 1054
3.7	Tread, rear	b <sub>11</sub> (mm)	992	992	992	992
<b>Dimensions</b>						
4.1	Tilt of mast/fork carriage forward/backward	α / β (°)	5 / 5	5 / 5	5 / 5	5 / 5
4.2	Height of mast, lowered	h <sub>1</sub> (mm)	2192	2192	2192	2192
4.3	Free lift ▼	h <sub>2</sub> (mm)	100	100	100	100
4.4	Lift ▼	h <sub>3</sub> (mm)	3350	3350	3350	3350
4.5	Height, mast extended +	h <sub>4</sub> (mm)	3960	3960	3960	3960
4.7	Height of overhead guard (cabin) ○	h <sub>6</sub> (mm)	2193	2193	2193	2193
4.7.1	Cab height (open cab)		2206	2206	2206	2206
4.8	Seat height/stand height ✕	h <sub>7</sub> (mm)	1070	1070	1070	1070
4.12	Coupling height	h <sub>10</sub> (mm)	262	262	262	262
4.19	Overall length	l <sub>11</sub> (mm)	3336	3336	3336	3480
4.20	Length to face of forks ◆	l <sub>2</sub> (mm)	2336	2336	2336	2480
4.21	Overall width*	b <sub>1</sub> /b <sub>2</sub> (mm)	1173 / 1289	1173 / 1289	1173 / 1289	1173 / 1289
4.22	Fork dimensions ISO2331	s/e/l (mm)	40 / 100 / 1000	40 / 100 / 1000	40 / 100 / 1000	40 / 100 / 1000
4.23	Fork carriage ISO 2328, class/type A,B		2A	2A	2A	2A
4.24	Fork carriage width ▶	b <sub>3</sub> (mm)	1067	1067	1067	1067
4.31	Ground clearance, laden, below mast	m <sub>1</sub> (mm)	83	83	83	83
4.32	Ground clearance, centre of wheelbase	m <sub>2</sub> (mm)	137	137	137	137
4.33	Load dimension b12 x l6 crossways	b <sub>12</sub> x l <sub>6</sub> (mm)	1200 x 1000	1200 x 1000	1200 x 1000	1200 x 1000
4.34	Aisle width predetermined load dimensions	A <sub>st</sub> (mm)	3613	3613	3613	3750
4.34.1	Aisle width for pallets 1000 x 1200 crossways	A <sub>st</sub> (mm)	3613	3613	3613	3750
4.34.2	Aisle width for pallets 800 x 1200 lengthways	A <sub>st</sub> (mm)	3766	3766	3766	3906
4.35	Turning radius	W <sub>a</sub> (mm)	1931	1931	1931	2073
4.36	Internal turning radius	b <sub>13</sub> (mm)	173	173	173	189
4.41	90° intersecting aisle (With pallet W = 1200mm, L = 1000mm)	mm	1981	1981	1981	2043
4.42	Step Height (from ground to running board) ▲	mm	706 / 810	706 / 810	706 / 810	706 / 810
4.43	Step Height	mm	475	475	475	475
<b>Performance data</b>						
5.1	Travel speed, laden/unladen *	km/h	18.0 / 18.0	21.0 / 21.0	18.0 / 18.0	21.0 / 21.0
5.2	Lift speed, laden/unladen	m/s	0.40 / 0.63	0.52 / 0.72	0.38 / 0.63	0.49 / 0.72
5.3	Lowering speed, laden/unladen	m/s	0.57 / 0.51	0.57 / 0.51	0.57 / 0.51	0.57 / 0.51
5.5	Drawbar pull, laden/unladen **	N	5468 / 5773	6015 / 6235	5591 / 5726	6037 / 6185
5.6	Max. drawbar pull, laden/unladen ***	N	18045 / 19052	19849 / 20576	18451 / 18897	19927 / 20409
5.7	Gradeability, laden/unladen ****	%	10 / 14	11 / 16	9 / 13	10 / 14
5.8	Max. gradeability, laden/unladen ***	%	26 / 39	28 / 42	24 / 35	26 / 38
5.9	Acceleration time, laden/unladen *	s	4.42 / 4.11	4.04 / 3.71	4.45 / 4.11	4.04 / 3.71
5.10	Service brake		Hydraulic	Hydraulic	Hydraulic	Hydraulic
<b>Electric-engine</b>						
6.1	Drive motor rating S2 60 min	kW	2 x 10.0	2x 10.0	2x 10.0	2x 10.0
6.2	Lift motor rating at S3 15%	kW	16.0	24.0	16.0	24.0
6.3	Battery according to DIN 43531/35/36 A, B, C, no		43536A	43536A	43536A	43536A
6.4	Battery voltage/nominal capacity K5	(V)/(ah)	80 / 560	80 / 560	80 / 560	80 / 700
6.5	Battery weight	kg	1480 / 1635	1480 / 1635	1480 / 1635	1480 / 1635
6.6	Energy consumption according to VDI cycle □	kWh/h @ no. of cycles	6.68	7.51	7.00	7.87
8.1	Type of drive unit		AC electronic	AC electronic	AC electronic	AC electronic
<b>Addition data</b>						
10.1	Operating pressure for attachments	bar	155	155	155	155
10.2	Oil volume for attachments ☼	l/min	20 - 40	20-40	20-40	20-40
10.3	Hydraulic oil tank, capacity	l	29.3	29.3	29.3	29.3
10.7	Sound pressure level at the driver's seat ★	dB(A)	67	68	67	68
10.8	Towing coupling, type DIN		Pin	Pin	Pin	Pin

- Max. battery
- h<sub>6</sub> subject to +/- 5 mm tolerance.
- ✕ Full suspension in compressed position specified.
- eLo performance settings.
- ★ Standard/Wide tread. Add 20mm with cab option.
- ▲ Add 40mm for nominal position.
- ☼ Manual hydraulics, maximum flow set through dash display.
- \*\* 60 minute rating. Add 104mm for battery side removal option.
- ▶ Add 28mm with load backrest.
- ◆ With sideshift carriage add 32mm for ERP22VL
- \*\*\* 5 minute rating. Add 124mm for battery side removal with cab option.
- ▲ Vertical / horizontal battery removal.
- ERP25VL MWB, 34mm for ERP25VL LWB,
- \*\*\*\* 30 minute rating. ▼ Bottom of forks.
- \* HiP performance settings.
- 33mm for ERP30VL LWB, 32mm for ERP35VL LWB
- ★ Without load backrest.

Yale	Yale	Yale	Yale	Yale		Manufacturer (abbreviation)	1.1	Distinguishing mark
<b>ERP 25 VL LWB</b>	<b>ERP 30 VL LWB</b>	<b>ERP 30 VL LWB</b>	<b>ERP 35 VL LWB</b>	<b>ERP 35 VL LWB</b>		Manufacturer's type designation	1.2	
Productivity	Value	Productivity	Value	Productivity		Model	1.3	
Electric (battery)	Electric (battery)	Electric (battery)	Electric (battery)	Electric (battery)		Drive: electric (battery or mains), diesel, petrol, fuel gas	1.4	
Seated	Seated	Seated	Seated	Seated		Operator type: hand, pedestrian, standing, seated, order-pick	1.5	
2.5	3.0	3.0	3.5	3.5	Q (t)	Rated capacity/rated load	1.6	
500	500	500	500	500	c (mm)	Load centre distance	1.8	
419	431	431	431	431	x (mm)	Load distance, centre of drive axle to fork	1.9	
1750	1750	1750	1750	1750	y (mm)	Wheelbase	2.1	
4860	5000	5300	5320	5370	kg	Service weight ●	2.2	
6183 / 1167	7157 / 841	7055 / 1244	7871 / 942	7752 / 1115	kg	Axle loading, laden front/rear ●	2.3	
2067 / 2783	2560 / 2438	2090 / 3209	2508 / 2805	2209 / 3158	kg	Axle loading, unladen front/rear ●	3.1	
SE	SE	SE	SE	SE		Tyres: P = pneumatic, C = cushion, SE = superelastic	3.2	
23 x 10 - 12	23 x 10 - 12	23 x 10 - 12	23 x 10 - 12	23 x 10 - 12		Tyre size, front	3.3	
18 x 7 - 8	18 x 7 - 8	18 x 7 - 8	18 x 7 - 8	18 x 7 - 8		Tyre size, rear	3.5	
2X / 2	2X / 2	2X / 2	2X / 2	2X / 2		Wheels, number front/rear (x = driven wheels)	3.6	
938 / 1054	938 / 1054	938 / 1054	938 / 1054	938 / 1054	b <sub>10</sub> (mm)	Tread, front	3.7	
992	992	992	992	992	b <sub>11</sub> (mm)	Tread, rear	4.1	
5 / 5	5 / 5	5 / 5	5 / 5	5 / 5	α / β (°)	Tilt of mast/fork carriage forward/backward	4.2	
2192	2192	2192	2192	2192	h <sub>1</sub> (mm)	Height of mast, lowered	4.3	
100	100	100	100	100	h <sub>2</sub> (mm)	Free lift ▼	4.4	
3350	3155	3155	3155	3155	h <sub>3</sub> (mm)	Lift ▼	4.5	
3960	3865	3865	3865	3865	h <sub>4</sub> (mm)	Height, mast extended +	4.7	
2193	2193	2193	2193	2193	h <sub>6</sub> (mm)	Height of overhead guard (cabin) ○	4.7.1	
2206	2206	2206	2206	2206		Cab height (open cab)	4.8	
1070	1070	1070	1070	1070	h <sub>7</sub> (mm)	Seat height/stand height ✕	4.12	
262	262	262	262	262	h <sub>10</sub> (mm)	Coupling height	4.19	
3480	3492	3492	3570	3570	l <sub>11</sub> (mm)	Overall length	4.20	
2480	2492	2492	2570	2570	l <sub>2</sub> (mm)	Length to face of forks ◆	4.21	
1173 / 1289	1173 / 1289	1173 / 1289	1173 / 1289	1173 / 1289	b <sub>1</sub> /b <sub>2</sub> (mm)	Overall width*	4.22	
40 / 100 / 1000	50 / 120 / 1000	50 / 120 / 1000	50 / 120 / 1000	50 / 120 / 1000	s/e/l (mm)	Fork dimensions ISO2331	4.23	
2A	3A	3A	3A	3A		Fork carriage ISO 2328, class/type A,B	4.24	
1067	1067	1067	1067	1067	b <sub>3</sub> (mm)	Fork carriage width ▶	4.31	
83	83	83	83	83	m <sub>1</sub> (mm)	Ground clearance, laden, below mast	4.32	
137	137	137	137	137	m <sub>2</sub> (mm)	Ground clearance, centre of wheelbase	4.33	
1200 x 1000	1200 x 1000	1200 x 1000	1200 x 1000	1200 x 1000	b <sub>12</sub> x l <sub>6</sub> (mm)	Load dimension b12 x l6 crossways	4.34	
3750	3762	3762	3828	3828	A <sub>st</sub> (mm)	Aisle width predetermined load dimensions	4.34.1	
3750	3762	3762	3828	3828	A <sub>st</sub> (mm)	Aisle width for pallets 1000 x 1200 crossways	4.34.2	
3906	3918	3918	3984	3984	A <sub>st</sub> (mm)	Aisle width for pallets 800 x 1200 lengthways	4.35	
2073	2073	2073	2139	2139	W <sub>a</sub> (mm)	Turning radius	4.36	
189	189	189	189	189	b <sub>13</sub> (mm)	Internal turning radius	4.41	
2043	2043	2043	2076	2076	mm	90° intersecting aisle (With pallet W = 1200mm, L = 1000mm)	4.42	
706 / 810	706 / 810	706 / 810	706 / 810	706 / 810	mm	Step Height (from ground to running board) ▲	4.43	
475	475	475	475	475	mm	Step Height	5.1	
21.0 / 21.0	17.0 / 18.0	19.5 / 21.0	16.0 / 18.0	18.0 / 21.0	km/h	Travel speed, laden/unladen *	5.1.1	
0.49 / 0.72	0.33 / 0.59	0.42 / 0.63	0.31 / 0.59	0.37 / 0.63	m/s	Lift speed, laden/unladen	5.2	
0.57 / 0.51	0.56 / 0.46	0.56 / 0.46	0.58 / 0.46	0.58 / 0.46	m/s	Lowering speed, laden/unladen	5.3	
6037 / 6185	5441 / 5588	5877 / 6035	5478 / 5720	5918 / 6177	N	Drawbar pull, laden/unladen **	5.5	
19927 / 20409	17956 / 18441	19393 / 19916	18076 / 18875	19522 / 20385	N	Max. drawbar pull, laden/unladen ***	5.6	
10 / 14	8 / 12	9 / 13	7 / 12	8 / 13	%	Gradeability, laden/unladen ****	5.7	
26 / 38	22 / 34	24 / 37	20 / 32	22 / 35	%	Max. gradeability, laden/unladen ***	5.8	
4.04 / 3.71	4.56 / 4.18	4.14 / 3.78	4.60 / 4.23	4.19 / 3.83	s	Acceleration time, laden/unladen *	5.9	
Hydraulic	Hydraulic	Hydraulic	Hydraulic	Hydraulic		Service brake	5.10	
2x 10.0	2x 10.0	2x 10.0	2x 10.0	2x 10.0	kW	Drive motor rating S2 60 min	6.1	
24.0	16.0	24.0	16.0	24.0	kW	Lift motor rating at S3 15%	6.2	
43536A	43536A	43536A	43536A	43536A		Battery according to DIN 43531/35/36 A, B, C, no	6.3	
80 / 700	80 / 700	80 / 700	80 / 700	80 / 700	(V)/(ah)	Battery voltage/nominal capacity K5	6.4	
1770 / 1956	1770 / 1956	1770 / 1956	1770 / 1956	1770 / 1956	kg	Battery weight	6.5	
8.86	8.66	9.74	10.03	11.28	kWh/h @ no. of cycles	Energy consumption according to VDI cycle □	6.6	
AC electronic	AC electronic	AC electronic	AC electronic	AC electronic		Type of drive unit	8.1	
155	155	155	155	155	bar	Operating pressure for attachments	10.1	
20-40	20-40	20-40	20-40	20-40	l/min	Oil volume for attachments ☼	10.2	
29.3	29.3	29.3	29.3	29.3	l	Hydraulic oil tank, capacity	10.3	
68	67	68	67	68	dB(A)	Sound pressure level at the driver's seat ★	10.7	
Pin	Pin	Pin	Pin	Pin		Towing coupling, type DIN	10.8	

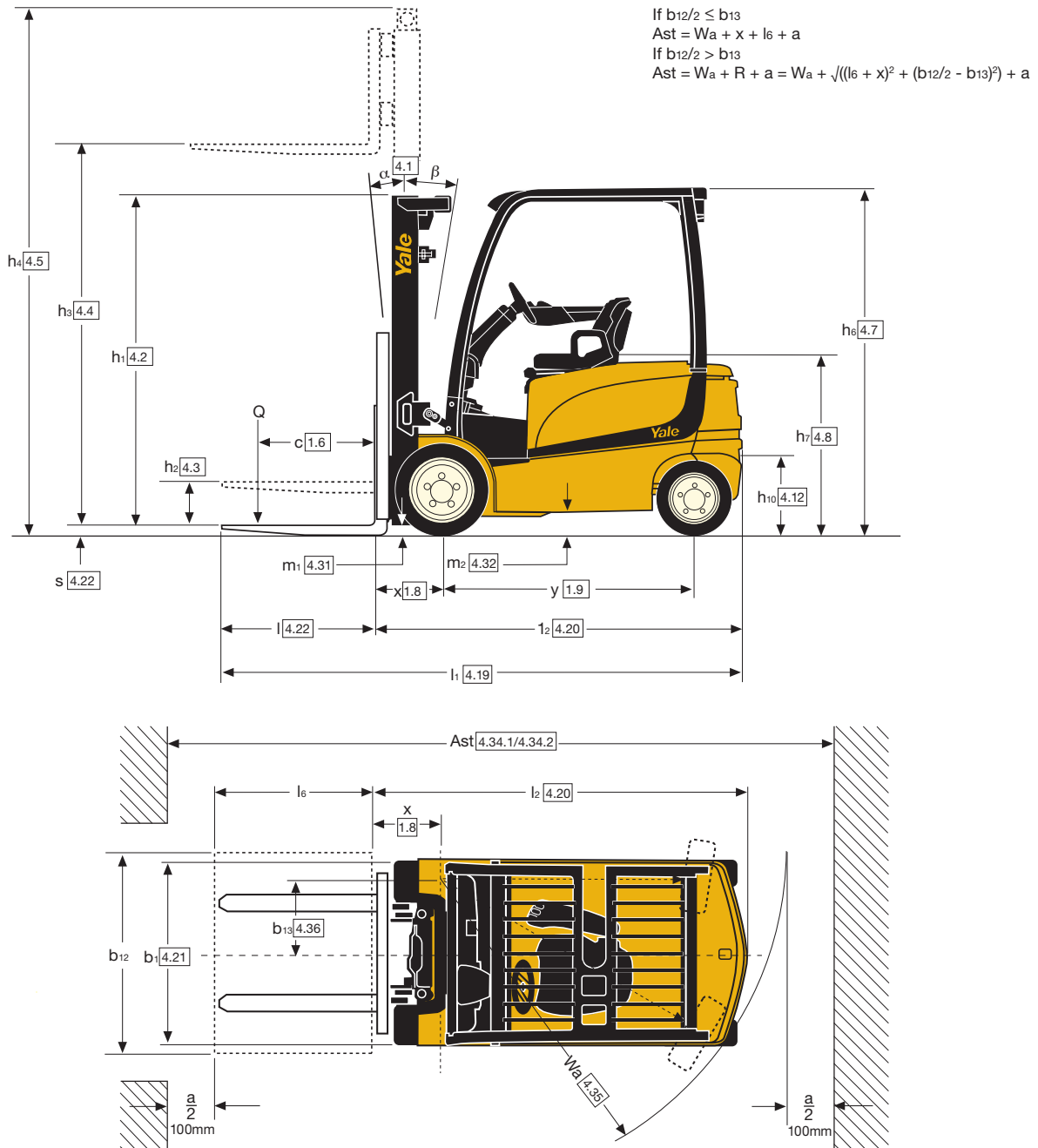
\* LPAZ, measured according to the test cycles and based on the weighting values contained in EN12053.

Spec sheet truck based on :- 3390mm (ERP22-25 VL) or 3200mm (ERP30 - 35 VL) 2 stage LFL mast with standard carriage, 1000mm forks and load backrest with extended shift on with DIN battery configuration, standard seat and overhead guard, manual hydraulics, superelastic drive and steer tyres.

All values are nominal values and they are subject to tolerances. For further information, please contact the manufacturer. Yale products might be subject to change without notice.

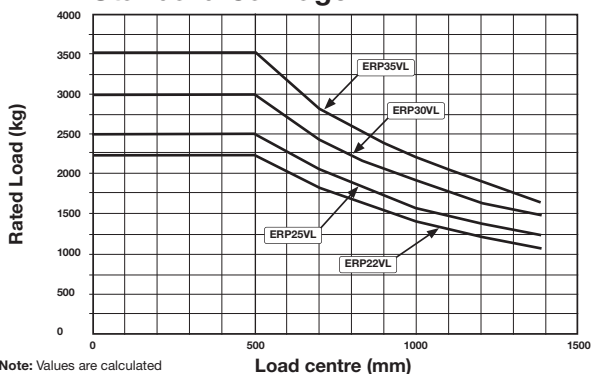
Lift trucks illustrated may feature optional equipment. Values may vary with alternative configurations.

## Truck Dimensions



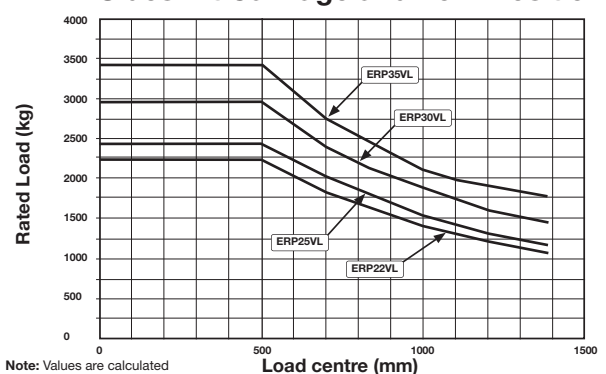
### Rated Load vs. Load Centre

#### Standard Carriage



### Rated Load vs. Load Centre

#### Sideshift Carriage and Fork Positioner



#### Calculations based on:

5100mm (ERP20-25 VL MWB), 4650mm (ERP25VL LWB) or 4460mm (ERP30-35 VL) 3 stage FFL mast with 1067mm standard carriage with load backrest.

## ERP 22VL MWB Mast details and capacity ratings (kg) - superelastic tyres

Model						ERP 22 VL MWB						
Tyre size, front						23 x 10-12						
Overall width, front						1173mm						
Mast	h <sub>1</sub> (mm)	h <sub>2+s</sub> (mm)	h <sub>3+s</sub> (mm)	h <sub>4</sub> (mm)	Tilt		Forks			Integral sideshift		
							Load centre (kg)			Load centre (kg)		
					F	B	500	600	700	500	600	700
2 Stage LFL	2195	140	3390	3956	5	5	2200	2000	1900	2200	2000	1830
	2395	140	3790	4356	5	5	2200	2000	1900	2200	2000	1820
	2745	140	4330	4896	5	5	2200	2000	1890	2200	1990	1810
	2995	140	4830	5396	5	5	2200	2000	1880	2190	1980	1800
2 Stage FFL	2195	1625	3400	3966	5	5	2200	2000	1900	2200	2000	1830
3 Stage FFL	2145	1595	4950	5496	5	5	2200	2000	1870	2180	1970	1790
	2395	1845	5550	6096	5	5	2110	1920	1780	2070	1870	1700
	2595	2045	6000	6546	5	5	2020	1830	1700	1980	1790	1630

All capacities calculated with 1000mm long forks and are less load backrest.

## ERP 25VL MWB, ERP 25VL LWB Mast details and capacity ratings (kg) - superelastic tyres

Model						ERP 25 VL MWB						ERP 25 VL LWB						
Tyre size, front						23 x 10-12						23 x 10-12						
Overall width, front						1173mm						1173mm						
Mast	h <sub>1</sub> (mm)	h <sub>2+s</sub> (mm)	h <sub>3+s</sub> (mm)	h <sub>4</sub> (mm)	Tilt		Forks			Integral sideshift			Forks			Integral sideshift		
							Load centre (kg)			Load centre (kg)			Load centre (kg)			Load centre (kg)		
					F	B	500	600	700	500	600	700	500	600	700	500	600	700
2 Stage LFL	2195	140	3390	3956	5	5	2500	2270	2140	2490	2250	2060	2500	2270	2170	2500	2270	2090
	2395	140	3790	4356	5	5	2500	2270	2130	2490	2250	2050	2500	2270	2170	2500	2270	2090
	2745	140	4330	4896	5	5	2500	2270	2120	2470	2240	2040	2500	2270	2160	2500	2270	2080
	2995	140	4830	5396	5	5	2480	2250	2090	2440	2210	2010	2500	2270	2150	2500	2270	2070
2 Stage FFL	2195	1625	3400	3966	5	5	2500	2270	2140	2500	2600	2060	2500	2270	2170	2500	2270	2090
3 Stage FFL	2145	1595	4950	5496	5	5	2440	2210	2060	2400	2170	1980	2500	2270	2140	2500	2250	2060
	2395	1845	5550	6096	5	5	2310	2100	1930	2250	2030	1850	2410	2190	2050	2380	2150	1960
	2595	2045	6000	6546	5	5	2210	2000	1840	2150	1940	1770	2310	2100	1960	2290	2070	1890

All capacities calculated with 1000mm long forks and are less load backrest.

## ERP 30VL LWB, ERP 35VL LWB Mast details and capacity ratings (kg) - superelastic tyres

Model						ERP 30 VL LWB						ERP 35 VL LWB						
Tyre size, front						23 x 10-12						23 x 10-12						
Overall width, front						1173mm						1173mm						
Mast	h <sub>1</sub> (mm)	h <sub>2+s</sub> (mm)	h <sub>3+s</sub> (mm)	h <sub>4</sub> (mm)	Tilt		Forks			Integral sideshift			Forks			Integral sideshift		
							Load centre (kg)			Load centre (kg)			Load centre (kg)			Load centre (kg)		
					F	B	500	600	700	500	600	700	500	600	700	500	600	700
2 Stage LFL	2195	145	3200	3861	5	5	3000	2720	2550	2960	2680	2440	3500	3130	2680	3440	3110	2680
	2395	145	3600	4261	5	5	3000	2720	2540	2950	2670	2440	3500	3130	2680	3430	3100	2680
	2745	145	4100	4761	5	5	3000	2720	2530	2940	2660	2430	3500	3130	2680	3420	3090	2680
	2995	145	4600	5261	5	5	2920	2650	2460	2850	2580	2360	3410	3090	2680	3330	3010	2680
2 Stage FFL	2195	1535	3205	3862	5	5	3000	2720	2550	2960	2680	2440	3500	3130	2680	3440	3110	2680
3 Stage FFL	2145	1500	4610	5252	5	5	2970	2690	2500	2900	2620	2390	3460	3130	2680	3470	3050	2680
	2295	1650	4910	5552	5	5	2900	2630	2440	2830	2560	2340	3400	3080	2680	3300	2980	2680
	2395	1750	5210	5852	5	5	2840	2570	2380	2760	2500	2280	3320*	3010*	2680*	3220*	2920*	2660*
	2645	2000	5810	6452	5	5	2690	2440	2250	2600	2350	2150	3170*	2870*	2640*	3060*	2760*	2520*

All capacities calculated with 1000mm long forks and are less load backrest.

\* Wide Tread Required

All values are nominal values and they are subject to tolerances. For further information, please contact the manufacturer.

Yale products might be subject to change without notice.

Lift trucks illustrated may feature optional equipment.

Values may vary with alternative configurations.



# VL series

Models: ERP 22VL MWB, ERP 25VL MWB, ERP 25VL LWB, ERP 30VL LWB, ERP 35VL LWB

## AC Technology

The VL series is available in two configurations – Value & Productivity.

With enhanced performance characteristics, the Productivity configuration has been designed to operate in intensive, high productivity applications with long runs and high lifts as an effective alternative to an engine-powered truck.

For example, in comparison to the Value configuration, top speed (laden) has been increased to up to 21 km/h with faster acceleration, and lifting speeds have been increased by 27%.

## AC Technology

Yale AC technology Class H traction motors are suitable for the most arduous applications. Smooth forward and reverse directional changes provide seamless driving action.

In the high-performance or 'HiP' setting, AC technology provides increased acceleration, even when fully laden and on gradients. As well as improving performance, AC technology reduces maintenance and allows service intervals of 1000 hours for most components.

## Brakes

The truck is equipped with oil immersed brakes and YaleStop an automatic park brake spring applied, electro magnetically released park brake. The park brake is automatically set by the control system, so that the brake is always set whenever the truck is not moving, and no traction has been requested. Moreover the park brake provides controllability on ramp applications.

When the footbrake is applied the intelligent control system uses 'e-Boost' which increases the strength of the 'autoregen' function of the traction motors. This also decreases the amount of work executed by the oil immersed disc brakes resulting in reduced wear on the brakes.

## Steering

A 16kW (Value) or 24kW (Productivity) AC motor drives a pump which provides oil pressure for the hydraulic pump and for steering, eliminating the need for a separate steering motor and pump. The steering column is infinitely adjustable in a range of 26°. During cornering the speed of the drive motors is continuously adjusted independently by the traction controller ensuring smooth operation.



The Yale VL features a state-of-the-art extended steer-axle that has increased articulation of the steer wheels, allowing it to turn in smaller spaces than a conventional 4-wheel steer-axle.

## Performance modes

Performance of the truck can be tailored via the enhanced overhead display, with 4 performance modes available to suit the requirements of the application or the preferences of the driver. For maximum speed and acceleration, choose mode 4, or for more delicate maneuvering and extended battery life, mode 1 is ideal.

Your service technician can alter the top speed and acceleration of mode 4, with modes 1, 2 and 3 being automatically adjusted as percentages of setting 4.

'eLo' and 'HiP' Settings Yale VL trucks feature an 'eLo' energy saving setting which provides exceptional energy efficient performance when required for continuous operation over longer periods without recharging the battery.

The 'HiP' high performance setting (accessible via the dash display with a service password) changes the torque curve characteristics of the motor to give the truck increased torque, faster acceleration and increased speed on a grade for the most demanding applications whilst maintaining the same top speed as the 'eLo' setting. 'eLo'



provides maximum battery autonomy.

## Ergonomics

The VL is designed for optimum operator comfort.

The overhead guard mounted grab handle, seat armrest (hinged) and very low step height provide class leading three point entry and exit to the operator module. The operator is seated in an ergonomically designed position for



maximum safety, comfort, visibility and ease of operation. A full suspension seat provides 80mm of suspension and the lowest WBV levels in the industry.

A swivel seat option for a superior reverse driving position is available. Both the mini-lever module and the manual levers have an integrated direction switch. The ergonomically designed gas spring assisted steering column has infinite forward and reverse adjustment through 26°, can be telescopically adjusted by 75mm. Synchronised steering which further increases operator comfort and operation also features steer column memory tilt (option).

The truck also features generous floor and storage space. The clear footwell allows easy access from both sides of the truck when the optional mini lever module fitted.

#### **Continuous Stability Enhancement (CSE)**

This is a mechanical system which uses gravity to optimize the design geometry of the Yale steer axle. It reduces lean by limiting the articulation of the steer axle and does not compromise the trucks ability to operate over poor ground conditions or traverse obstacles. It is also 100% maintenance free.

#### **Masts**

A full range of Yale Hi-Vis 2 stage LFL and 2 and 3 stage FFL masts are available. The redesigned Yale Hi-Vis mast incorporates new chain placement and hose routings that maximise fork visibility for the driver. As well as enlarging the window through the mast, the 180 degree panoramic field of vision is improved.

#### **Battery**

A choice of DIN batteries from 560Ah/620Ah - 700Ah/775Ah (wheelbase dependent) are available.

The medium wheelbase model (MWB) has a smaller capacity battery and delivers increased maneuverability and reduced stacking aisle dimensions. The long wheelbase model (LWB) provides extra battery space for longer shift life.

A battery discharge indicator (BDI) and lift interrupt are standard on all trucks.

#### **Low lifetime costs**

Lower service costs are achieved as a result of less maintenance associated with oil immersed brakes, Hall effect sensors, electric park brake and CAN bus and AC technology. The transmission is

sealed for life, eliminating the need for service, an oil change is required at 4000 hours. LED light packages are offered as an option.

Service intervals are 1000 hours for most components and 4000 hours for oil immersed brakes, drive axle, transmission and hydraulic oil.

Auto Regen Braking optimises the shift life of the battery and contributes to an increase in the life of parts.

#### **Options**

- AccuTouch mini-levers
- Return to set tilt (RTST)
- Foot directional control
- Lighting kits, including LED lights
- Reverse alarm
- Integrated sideshift
- Two battery extraction methods:-
  1. Overhead
  2. Side extraction
- Weather protection
- Low noise cab



# VL series

Models: ERP 22VL MWB, ERP 25VL MWB,  
ERP 25VL LWB, ERP 30VL LWB, ERP 35VL LWB



## HYSTER-YALE UK LIMITED

trading as **Yale Europe Materials Handling**  
Centennial House, Frimley Business Park,  
Frimley, Surrey GU16 7SG, United Kingdom.


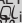
Tel: +44 (0) 1276 538500  
Fax: +44 (0) 1276 538559

[www.yale-forklifts.eu](http://www.yale-forklifts.eu)



Publication part no. 220990057 Rev.07 Printed in The Netherlands (0719HG) EN.

**Safety:** This truck conforms to the current EU requirements. Specification is subject to change without notice.

Yale, VERACITOR and  are registered trademarks. "PEOPLE, PRODUCTS, PRODUCTIVITY", PREMIER, Hi-Vis, and CSS are trademarks in the United States and certain other jurisdictions. MATERIALS HANDLING CENTRAL and MATERIAL HANDLING CENTRAL are Service Marks in the United States and certain other jurisdictions.  is a Registered Copyright.

©Yale Europe Materials Handling 2019. All rights reserved. Truck shown with optional equipment.  
Country of Registration: England and Wales. Company Registration Number: 02636775