

# VT series

1,500kg / 1,600kg / 1,800kg / 2,000kg

## Electric forklift trucks



- YaleStop automatic park brake eliminates uncontrolled roll-back on ramps
- Oil-immersed brakes
- E-braking system
- CAN bus and high-performance AC technology
- E-steering to increase productivity while maintaining excellent battery life
- New 180° fold back door and fork pockets allow completing horizontal battery exchange in 3 min
- 2 battery choices: DIN and BS

## VDI 2198 - General Specifications

			Yale	Yale	Yale	Yale	
Distinguishing mark	1.1	Manufacturer (abbreviation)		Yale	Yale	Yale	Yale
	1.2	Manufacturer's type designation		<b>ERP15VT (SWB)</b>	<b>ERP16VT (SWB)</b>	<b>ERP16VT (MWB)</b>	<b>ERP16VT (LWB)</b>
	1.3	Drive: electric (battery or mains), diesel, petrol, fuel gas		Electric (battery)	Electric (battery)	Electric (battery)	Electric (battery)
	1.4	Operator type: hand, pedestrian, standing, seated, order-picker		Seated	Seated	Seated	Seated
	1.5	Rated capacity/rated load	Q (t)	1.5	1.6	1.6	1.6
	1.6	Load centre distance	c (mm)	500	500	500	500
	1.8	Load distance, centre of drive axle to fork	x (mm)	326	326	326	326
	1.9	Wheelbase	y (mm)	1290	1290	1386	1494
	Weights	2.1	Service weight ■	kg	2971	3083	3083
2.2		Axle loading, laden front/rear ■	kg	3892 / 580	4096 / 587	4050 / 633	4056 / 802
2.3		Axle loading, unladen front/rear ■	kg	1430 / 1541	1470 / 1613	1495 / 1588	1571 / 1687
Tyres/chassis	3.1	Tyres: P=pneumatic, C=cushion, SE=superelastic		SE	SE	SE	SE
	3.2	Tyre size, front		18 x 7-8	18 x 7-8	18 x 7-8	18 x 7-8
	3.3	Tyre size, rear		15 x 4.5-8	15 x 4.5-8	15 x 4.5-8	15 x 4.5-8
	3.5	Wheels, number front/rear (x = driven wheels)		2X / 2	2X / 2	2X / 2	2X / 2
	3.6	Tread, front	b <sub>10</sub> (mm)	889	889	889	889
	3.7	Tread, rear	b <sub>11</sub> (mm)	194	194	194	194
	Dimensions	4.1	Tilt of mast/fork carriage forward/backward	α / β (°)	5 / 5	5 / 5	5 / 5
4.2		Height, mast lowered	h <sub>1</sub> (mm)	2230	2230	2230	2230
4.3		Free lift ▼	h <sub>2</sub> (mm)	100	100	100	100
4.4		Lift ▼	h <sub>3</sub> (mm)	3320	3320	3320	3320
4.5		Height, mast extended +	h <sub>4</sub> (mm)	3898	3898	3898	3898
4.7		Height of overhead guard (cabin) ○	h <sub>6</sub> (mm)	2070	2070	2070	2070
4.7.1		Cab height (open cab)		2085	2085	2085	2085
4.8		Seat height relating to SIP/stand height ✕	h <sub>7</sub> (mm)	919	919	919	919
4.12		Coupling height	h <sub>10</sub> (mm)	500	500	500	500
4.19		Overall length	l <sub>11</sub> (mm)	2807	2807	2903	3011
4.20		Length to face of forks	l <sub>2</sub> (mm)	1807	1807	1903	2011
4.21		Overall width <sup>(1)</sup>	b <sub>1</sub> /b <sub>2</sub> (mm)	1050 <sup>(1)</sup>	1050 <sup>(1)</sup>	1050 <sup>(1)</sup>	1050 <sup>(1)</sup>
4.22		Fork dimensions ISO 2331	s/e/l (mm)	40 / 80 / 1000	40/80/1000	40 / 80 / 1000	40 / 80 / 1000
4.23		Fork carriage ISO 2328, class/type A, B		2A	2A	2A	2A
4.24		Fork carriage width E	b <sub>3</sub> (mm)	907	907	907	907
4.31		Ground clearance, laden, below mast	m <sub>1</sub> (mm)	70	70	70	70
4.32		Ground clearance at centre of wheelbase <sup>(2)</sup>	m <sub>2</sub> (mm)	100	100	100	100
4.33		Load dimension b <sub>12</sub> × l <sub>6</sub> crossways	b <sub>12</sub> × l <sub>6</sub> (mm)	1000 x 1200	1000 x 1200	1000 x 1200	1000 x 1200
4.34		Aisle width predetermined load dimensions	A <sub>st</sub> (mm)	3134	3134	3232	3340
4.34.1		Aisle width for pallets 1000 × 1200 crossways	A <sub>st</sub> (mm)	3134	3134	3232	3340
4.34.2		Aisle width for pallets 800 × 1200 lengthways	A <sub>st</sub> (mm)	3257	3257	3355	3463
4.35	Turning radius	W <sub>a</sub> (mm)	1479	1479	1577	1685	
4.36	Internal turning radius	b <sub>13</sub> (mm)	0	0	0	0	
4.41	90° intersecting aisle (With pallet W = 1200mm, L = 1000mm)	mm	1718	1718	1754	1798	
4.42	Step Height (from ground to running board)	mm	557	557	557	557	
4.43	Step Height	mm	484	484	484	484	
Performance data	5.1	Travel speed, laden/unladen *	km/h	16 / 16	16 / 16	16 / 16	16 / 16
	5.1.1	Travel speed, laden/unladen, backwards	km/h	16 / 16	16 / 16	16 / 16	16 / 16
	5.2	Lift speed, laden/unladen	m/s	0.43 / 0.59	0.43 / 0.59	0.43 / 0.59	0.43 / 0.59
	5.3	Lowering speed, laden/unladen	m/s	0.50 / 0.47	0.50 / 0.47	0.50 / 0.47	0.50 / 0.47
	5.5	Drawbar pull, laden/unladen **	N	3406 / 3680	3406 / 3680	3406 / 3680	3406 / 3680
	5.6	Max. drawbar pull, laden/unladen ***	N	11415 / 11690	11415 / 11690	11415 / 11690	11415 / 11690
	5.7	Gradeability, laden/unladen ****	%	11 / 16	§11 / 16	11 / 16	11 / 16
	5.8	Max. gradeability, laden/unladen ***	%	25 / 34	25 / 34	25 / 35	25 / 35
	5.9	Acceleration time, laden/unladen *	s	4.6 / 4.1	4.6 / 4.1	4.6 / 4.1	4.6 / 4.1
	5.10	Service brake		Hydraulic	Hydraulic	Hydraulic	Hydraulic
Electric-engine	6.1	Drive motor rating S2 60 min	kW	2 x 5.0	2 x 5.0	2x 5.0	2x 5.0
	6.2	Lift motor rating at S3 15%	kW	12	12	12	12
	6.3	Battery according to DIN 43531/35/36 A, B, C, no		DIN 43531-A	DIN 43531-A	DIN 43531-A	DIN 43531-A
	6.4	Battery voltage/nominal capacity K5	(V)/(ah)	48 / 500	48 / 500	48 / 625	48 / 750
	6.5	Battery weight ●	kg	673 / 743	673 / 743	813 / 899	962 / 1064
	6.6	Energy consumption according to VDI cycle □	kWh/h @ no. of cycles	4.2	4.4	4.4	4.7
8.1	Type of drive unit		Electric transmission	Electric transmission	Electric transmission	Electric transmission	
Addition data	10.1	Operating pressure for attachments	bar	180	180	180	180
	10.2	Oil volume for attachments ◇	l/min	40	40	40	40
	10.3	Hydraulic oil tank, capacity	l	16.8	16.8	16.8	16.8
	10.7	Sound pressure level at the driver's seat LPAZ ★	dB(A)	69	69	69	69
	10.8	Towing coupling, type DIN		Pin	Pin	Pin	Pin

- \* Standard / Wide tread
- \*\* 60 minute rating
- \*\*\* 5 minute rating
- \*\*\*\* 30 minute rating
- Max. battery
- ▼ Bottom of forks
- Without load backrest
- h<sub>6</sub> subject to +/- 5mm tolerance
- ✕ Full suspension seat specified. Standard hood specified. 953mm with raised hood
- ▶ Add 32mm with load backrest
- ✓ HiP performance setting
- ◇ Maximum flow set through dash display
- \* HiP performance
- Min./max.
- eLo performance

- <sup>(1)</sup> Overall width 1116mm with required 200/50-10 tyres fitted for masts 5000mm and over.
- <sup>(2)</sup> Value shown for vertical battery removal; horizontal battery removal has 90mm of clearance at center of wheelbase.

Yale	Yale	Yale	Yale		Manufacturer (abbreviation)	1.1	Distinguishing mark
ERP18VT (MWB)	ERP18VT (LWB)	ERP20VT (MWB)	ERP20VT (LWB)		Manufacturer's type designation	1.2	
Electric (battery)	Electric (battery)	Electric (battery)	Electric (battery)		Drive: electric (battery or mains), diesel, petrol, fuel gas	1.3	
Seated	Seated	Seated	Seated		Operator type: hand, pedestrian, standing, seated, order-picker	1.4	
1.8	1.8	2.0	2.0	Q (t)	Rated capacity/rated load	1.5	
500	500	500	500	c (mm)	Load centre distance	1.6	
321	321	321	321	x (mm)	Load distance, centre of drive axle to fork	1.8	
1386	1494	1386	1494	y (mm)	Wheelbase	1.9	
3335	3331	3602	3436	kg	Service weight ■	2.1	
4496 / 640	4435 / 695	4941 / 661	4788 / 648	kg	Axle loading, laden front/rear ■	2.2	
1628 / 1707	1646 / 1685	1755 / 1847	1689 / 1747	kg	Axle loading, unladen front/rear ■	2.3	
SE	SE	SE	SE		Tyres: P=pneumatic, C=cushion, SE=superelastic	3.1	
200 / 50-10	200 / 50-10	200 / 50-10	200/50-10		Tyre size, front	3.2	
15 x 4.5-8	15 x 4.5-8	15 x 4.5-8	15 x 4.5-8		Tyre size, rear	3.3	
2X / 2	2X / 2	2X / 2	2X / 2		Wheels, number front/rear (x = driven wheels)	3.5	
908	908	908	908	b <sub>10</sub> (mm)	Tread, front	3.6	
194	194	194	194	b <sub>11</sub> (mm)	Tread, rear	3.7	
5 / 5	5 / 5	5 / 5	5 / 5	α / β (°)	Tilt of mast/fork carriage forward/backward	4.1	
2180	2180	2180	2180	h <sub>1</sub> (mm)	Height, mast lowered	4.2	
100	100	100	100	h <sub>2</sub> (mm)	Free lift ▼	4.3	
3390	3390	3390	3390	h <sub>3</sub> (mm)	Lift ▼	4.4	
4006	4006	4006	4006	h <sub>4</sub> (mm)	Height, mast extended +	4.5	
2070	2070	2070	2070	h <sub>6</sub> (mm)	Height of overhead guard (cabin) ○	4.7	
2085	2085	2085	2085		Cab height (open cab)	4.7.1	
919	919	919	919	h <sub>7</sub> (mm)	Seat height relating to SIP/stand height ✕	4.8	
500	500	500	500	h <sub>10</sub> (mm)	Coupling height	4.12	
2898	3006	2989	3006	l <sub>11</sub> (mm)	Overall length	4.19	
1898	2006	1989	2006	l <sub>2</sub> (mm)	Length to face of forks	4.20	
1116	1116	1116	1116	b <sub>1</sub> /b <sub>2</sub> (mm)	Overall width (1)	4.21	
40 / 80 / 1000	40 / 80 / 1000	40 / 100 / 1000	40 / 100 / 1000	s/e/l (mm)	Fork dimensions ISO 2331	4.22	
2A	2A	2A	2A		Fork carriage ISO 2328, class/type A, B	4.23	
977	977	977	977	b <sub>3</sub> (mm)	Fork carriage width E	4.24	
70	70	70	70	m <sub>1</sub> (mm)	Ground clearance, laden, below mast	4.31	
100	100	100	100	m <sub>2</sub> (mm)	Ground clearance at centre of wheelbase (2)	4.32	
1000 x 1200	1000 x 1200	1000 x 1200	1000 x 1200	b <sub>12</sub> × l <sub>6</sub> (mm)	Load dimension b <sub>12</sub> × l <sub>6</sub> crossways	4.33	
3228	3336	3228	3336	A <sub>st</sub> (mm)	Aisle width predetermined load dimensions	4.34	
3228	3336	3228	3336	A <sub>st</sub> (mm)	Aisle width for pallets 1000 × 1200 crossways	4.34.1	
3350	3458	3350	3458	A <sub>st</sub> (mm)	Aisle width for pallets 800 × 1200 lengthways	4.34.2	
1577	1685	1577	1685	W <sub>a</sub> (mm)	Turning radius	4.35	
0	0	0	0	b <sub>13</sub> (mm)	Internal turning radius	4.36	
1776	1820	1776	1820	mm	90° intersecting aisle (With pallet W = 1200mm, L = 1000mm)	4.41	
557	557	557	557	mm	Step Height (from ground to running board)	4.42	
484	484	484	484	mm	Step Height	4.43	
16 / 16	16 / 16	16 / 16	16 / 16	km/h	Travel speed, laden/unladen *	5.1	
16 / 16	16 / 16	16 / 16	16 / 16	km/h	Travel speed, laden/unladen, backwards	5.1.1	
0.41 / 0.60	0.41 / 0.60	0.40 / 0.58	0.40 / 0.58	m/s	Lift speed, laden/unladen	5.2	
0.46 / 0.40	0.46 / 0.40	0.47 / 0.40	0.47 / 0.40	m/s	Lowering speed, laden/unladen	5.3	
3337 / 3646	3337 / 3646	3260 / 3603	3294 / 3637	N	Drawbar pull, laden/unladen **	5.5	
11355 / 11664	11346 / 11655	11269 / 11612	11304 / 11647	N	Max. drawbar pull, laden/unladen ***	5.6	
10 / 15	10 / 15	9 / 14	9 / 15	%	Gradeability, laden/unladen ****	5.7	
23 / 35	23 / 36	31 / 34	22 / 36	%	Max. gradeability, laden/unladen ***	5.8	
4.6 / 4.1	4.6 / 4.1	4.6 / 4.1	4.6 / 4.1	s	Acceleration time, laden/unladen *	5.9	
Hydraulic	Hydraulic	Hydraulic	Hydraulic		Service brake	5.10	
2x 5.0	2x 5.0	2x 5.0	2x 5.0	kW	Drive motor rating S2 60 min	6.1	
12	12	12	12	kW	Lift motor rating at S3 15%	6.2	
DIN 43531-A	DIN 43531-A	DIN 43531-A	DIN 43531-A		Battery according to DIN 43531/35/36 A, B, C, no	6.3	
48 / 625	48 / 750	48 / 625	48 / 750	(V)/(ah)	Battery voltage/nominal capacity K5	6.4	
813 / 899	962 / 1064	813 / 899	962 / 1064	kg	Battery weight ●	6.5	
5.0	5.0	5.7	5.4	kWh/h @ no. of cycles	Energy consumption according to VDI cycle □	6.6	
Electric transmission	Electric transmission	Electric transmission	Electric transmission		Type of drive unit	8.1	
180	180	180	180	bar	Operating pressure for attachments	10.1	
40	40	40	40	l/min	Oil volume for attachments ◇	10.2	
16.8	16.8	16.8	16.8	l	Hydraulic oil tank, capacity	10.3	
69	69	69	69	dB(A)	Sound pressure level at the driver's seat LPAZ ★	10.7	
Pin	Pin	Pin	Pin		Towing coupling, type DIN	10.8	

Distinguishing mark

Weights

Tyres/chassis

Dimensions

Performance data

Electric-engine

Addition data

★ LPAZ, measured according to the test cycles and based on the weighting values contained in EN12053.

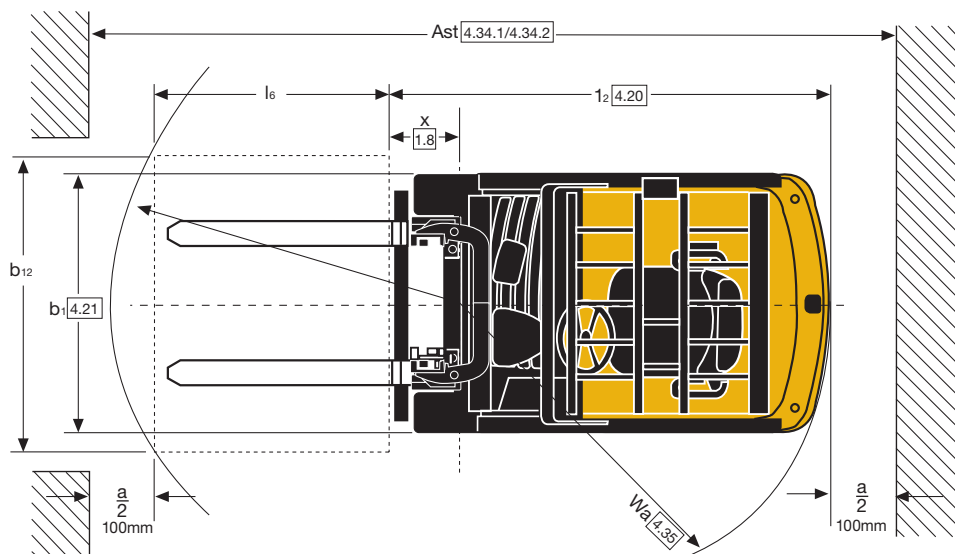
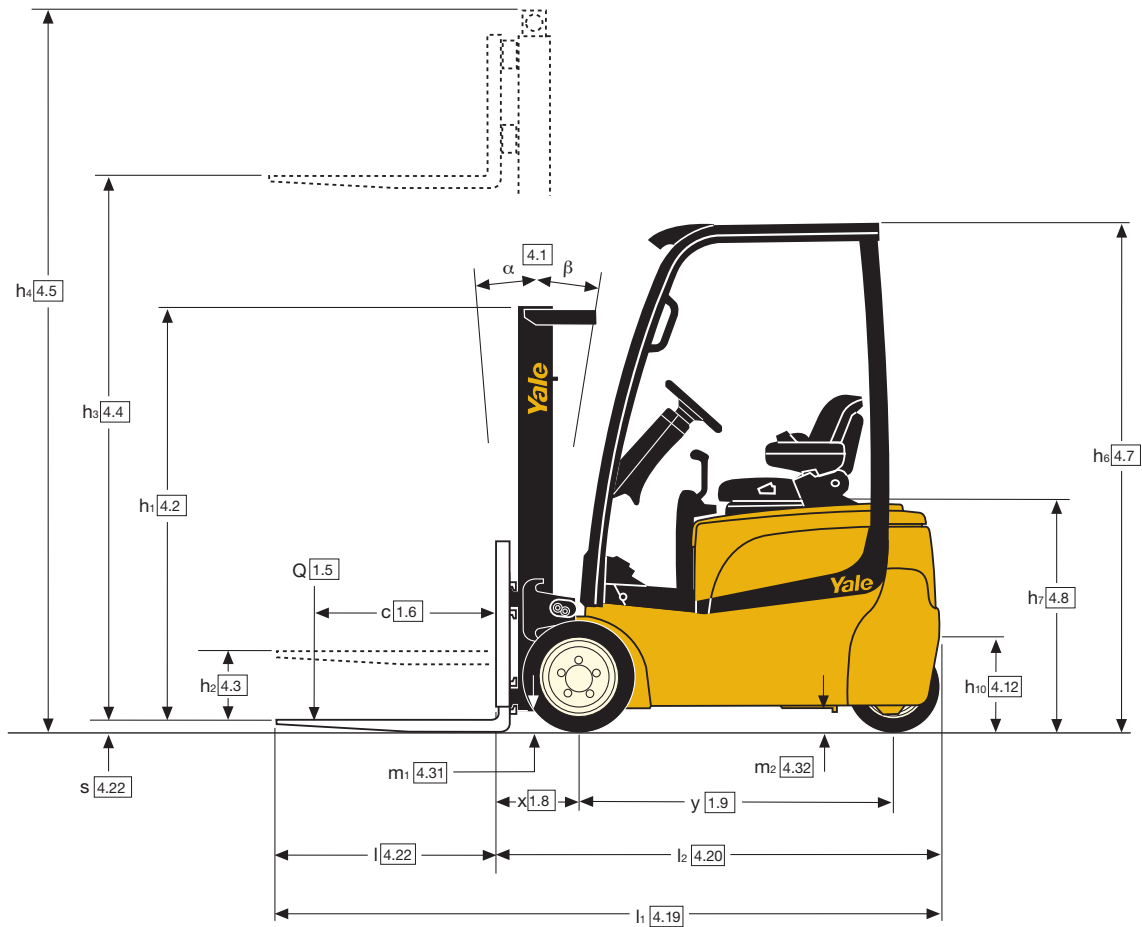
**Spec sheet truck based on:**  
3360mm (ClearView) and 3430mm (Hi-Vis) to top of fork, 2 stage LFL mast with standard carriage and 1000mm forks, with HiP performance setting, DIN battery configuration.

**All values are nominal values and they are subject to tolerances. For further information, please contact the manufacturer.**  
Yale products might be subject to change without notice.

Lift trucks illustrated may feature optional equipment.  
Values may vary with alternative configurations.

# Truck Dimensions

$$Ast = Wa + R + a = Wa + \sqrt{(l_6 + x)^2 + (b_{12}/2 - b_{13})^2} + a$$



## ERP15VT SWB mast details and capacity ratings (kg) - Superelastic tyres

Model							ERP15VT SWB					
Tyre size, front							18 x 7-8					
Overall width, front							1050mm					
Mast	h1 (mm)	h2+s (mm)	h3+s (mm)	h4 (mm)	Tilt		Forks			Integral sideshift		
					F	B	500	600	700	500	600	700
							Load centre kg)			Load centre kg)		
2 Stage LFL Clear View	2230	140	3360	3868	5	5	1500	1300	1300	1500	1300	1250
	2580	140	3860	4368	5	5	1500	1300	1300	1500	1300	1250
	2830	140	4360	4868	5	5	1480	1280	1280	1480	1280	1230
	3180	140	4860	5368	5	5	1390	1210	1200	1390	1210	1150
2 Stage FFL Hi-Vis	2080	1505	3218	3728	5	5	1500	1300	1300	1500	1300	1250
	2330	1755	3718	4228	5	5	1500	1300	1300	1500	1300	1240
	2680	2105	4338	4847	5	5	1500	1300	1300	1500	1300	1240
3 Stage LFL Clear View	1980	1472	4300	4808	5	5	1500	1300	1300	1500	1300	1230
	2080	1572	4600	5108	5	5	1450	1250	1250	1450	1250	1190
	2180	1672	4900	5408	5	5	1390	1210	1200	1390	1210	1140
	2330	1822	5200*	5708	5	5	1340	1160	1150	1340	1160	1090
	2430	1922	5500*	6008	5	5	1280	1110	1100	1240	1110	1040

Note that the capacities are given in kilograms.  
All ratings with DIN Battery.  
All ratings with 1000mm forks and less load backrest.

\* Tilt speed reduced to 1° per second by mechanical tilt speed restrictors for mast heights 5000mm and above.

All values are nominal values and they are subject to tolerances. For further information, please contact the manufacturer.  
Yale products might be subject to change without notice.

Lift trucks illustrated may feature optional equipment.  
Values may vary with alternative configurations.

## ERP16VT SWB/MWB mast details and capacity ratings (kg) - Superelastic tyres

Model							ERP16VT SWB						ERP16VT MWB					
Tyre size, front							18 x 7-8						18 x 7-8					
Overall width, front							1050mm						1050mm					
Mast	h1 (mm)	h2+s (mm)	h3+s (mm)	h4 (mm)	Tilt		Forks			Integral sideshift			Forks			Integral sideshift		
					F	B	500	600	700	500	600	700	500	600	700	500	600	700
							Load centre kg)			Load centre kg)			Load centre kg)			Load centre kg)		
2 Stage LFL Clear View	2230	140	3360	3868	5	5	1600	1450	1390	1600	1450	1330	1600	1450	1450	1600	1450	1450
	2580	140	3860	4368	5	5	1600	1450	1380	1600	1450	1330	1600	1450	1450	1600	1450	1450
	2830	140	4360	4868	5	5	1580	1430	1360	1580	1430	1310	1580	1430	1430	1580	1430	1430
	3180	140	4860	5368	5	5	1490	1350	1280	1490	1350	1230	1490	1350	1350	1490	1350	1350
2 Stage LFL Hi-Vis	2180	140	3432	4006	5	5	1600	1450	1390	1600	1450	1320	1600	1450	1390	1600	1450	1320
	2530	140	3932	4506	5	5	1600	1450	1380	1600	1450	1310	1600	1450	1380	1600	1450	1310
	2780	140	4432	5006	5	5	1580	1430	1370	1580	1430	1300	1580	1430	1370	1580	1430	1300
	3130	140	4932	5506	5	5	1490	1350	1280	1490	1340	1220	1490	1350	1280	1490	1340	1220
2 Stage FFL Hi-Vis	2080	1505	3218	3728	5	5	1600	1450	1400	1600	1450	1330	1600	1450	1400	1600	1450	1330
	2330	1755	3718	4228	5	5	1600	1450	1390	1600	1450	1320	1600	1450	1390	1600	1450	1320
	2680	2105	4338	4847	5	5	1600	1450	1380	1580	1440	1310	1600	1450	1380	1600	1450	1310
3 Stage FFL Clear View	1980	1472	4300	4808	5	5	1600	1450	1380	1590	1450	1310	1600	1450	1380	1600	1450	1310
	2080	1572	4600	5108	5	5	1540	1400	1330	1540	1400	1270	1540	1400	1330	1540	1400	1260
	2180	1672	4900	5408	5	5	1490	1350	1280	1490	1350	1220	1490	1350	1280	1490	1340	1220
	2330	1822	5200*	5708	5	5	1430	1300	1230	1360	1290	1170	1320	1300	1230	1250	1250	1170
	2430	1922	5500*	6008	5	5	1130	1130	1130	1070	1070	1070	1060	1060	1060	1000	1000	1000
3 Stage FFL Hi-Vis	1930	1355	4300	4875	5	5	1600	1450	1380	1590	1450	1310	1600	1450	1380	1600	1450	1310
	2030	1455	4600	5175	5	5	1570	1420	1360	1550	1420	1290	1570	1420	1360	1570	1420	1290
	2130	1555	4900	5375	5	5	1520	1370	1310	1510	1370	1240	1520	1370	1310	1520	1370	1240
	2280	1705	5200*	5775	5	5	1380	1320	1260	1320	1310	1190	1260	1260	1260	1200	1200	1190
	2380	1805	5500*	6075	5	5	1090	1090	1090	1030	1030	1030	1000	1000	1000	950	950	950

Note that the capacities are given in kilograms.  
All ratings with DIN Battery.  
All ratings with 1000mm forks and less load backrest.

\* Tilt speed reduced to 1° per second by mechanical tilt speed restrictors for mast heights 5000mm and above.

All values are nominal values and they are subject to tolerances. For further information, please contact the manufacturer.  
Yale products might be subject to change without notice.

Lift trucks illustrated may feature optional equipment.  
Values may vary with alternative configurations.

## ERP16VT LWB mast details and capacity ratings (kg) - Superelastic tyres

Model						ERP16VT LWB						
Tyre size, front						18 x 7-8						
Overall width, front						1050mm						
Mast	h1 (mm)	h2+s (mm)	h3+s (mm)	h4 (mm)	Tilt		Forks			Integral sideshift		
					F	B	500	600	700	500	600	700
							Load centre kg)			Load centre kg)		
2 Stage LFL Clear View	2230	140	3360	3868	5	5	1600	1450	1390	1600	1450	1330
	2580	140	3860	4368	5	5	1600	1450	1380	1600	1450	1330
	2830	140	4360	4868	5	5	1580	1430	1360	1580	1430	1310
	3180	140	4860	5368	5	5	1500	1360	1290	1500	1360	1240
2 Stage LFL Hi-Vis	2180	140	3432	4006	5	5	1600	1450	1390	1600	1450	1320
	2530	140	3932	4506	5	5	1600	1450	1380	1600	1450	1310
	2780	140	4432	5006	5	5	1580	1430	1370	1580	1430	1300
	3130	140	4932	5506	5	5	1500	1360	1290	1500	1350	1220
2 Stage FFL Hi-Vis	2080	1505	3218	3728	5	5	1600	1450	1400	1600	1450	1330
	2330	1755	3718	4228	5	5	1600	1450	1390	1600	1450	1320
	2680	2105	4338	4847	5	5	1600	1450	1380	1600	1450	1310
	1980	1472	4300	4808	5	5	1600	1450	1370	1600	1440	1310
3 Stage FFL Clear View	2080	1572	4600	5108	5	5	1550	1400	1330	1550	1400	1260
	2180	1672	4900	5408	5	5	1500	1360	1280	1500	1350	1220
	2330	1822	5200*	5708	5	5	1330	1310	1230	1260	1260	1170
	2430	1922	5500*	6008	5	5	1080	1080	1080	1010	1010	1010
3 Stage FFL Hi-Vis	1930	1355	4300	4875	5	5	1600	1450	1380	1600	1450	1310
	2030	1455	4600	5175	5	5	1570	1420	1360	1570	1420	1290
	2130	1555	4900	5375	5	5	1520	1380	1310	1520	1370	1240
	2280	1705	5200*	5775	5	5	1280	1280	1260	1210	1210	1200
	2380	1805	5500*	6075	5	5	1030	1030	1030	970	970	970

## ERP18VT MWB/LWB mast details and capacity ratings (kg) - Superelastic tyres

Model						ERP18VT MWB						ERP18VT LWB						
Tyre size, front						200 / 50-10						200 / 50-10						
Overall width, front						1116mm						1116mm						
Mast	h1 (mm)	h2+s (mm)	h3+s (mm)	h4 (mm)	Tilt		Forks			Integral sideshift			Forks			Integral sideshift		
					F	B	500	600	700	500	600	700	500	600	700	500	600	700
							Load centre kg)			Load centre kg)			Load centre kg)			Load centre kg)		
2 Stage LFL Hi-Vis	2180	140	3432	4006	5	5	1800	1600	1550	1800	1600	1470	1800	1600	1550	1800	1600	1470
	2530	140	3932	4506	5	5	1800	1600	1540	1800	1600	1470	1800	1600	1540	1800	1600	1470
	2780	140	4432	5006	5	5	1780	1580	1530	1780	1580	1450	1780	1580	1530	1780	1580	1450
	3130	140	4932	5506	5	5	1580	1500	1440	1540	1500	1370	1580	1500	1440	1540	1500	1370
2 Stage FFL Hi-Vis	2080	1505	3218	3728	5	5	1800	1600	1560	1800	1600	1480	1800	1600	1560	1800	1600	1480
	2330	1755	3718	4228	5	5	1800	1600	1550	1800	1600	1470	1800	1600	1550	1800	1600	1470
	2680	2105	4338	4847	5	5	1800	1600	1540	1800	1600	1470	1800	1600	1540	1800	1600	1470
	1930	1355	4300	4875	5	5	1800	1600	1540	1800	1600	1470	1800	1600	1540	1800	1600	1470
3 Stage FFL Hi-Vis	2030	1455	4600	5175	5	5	1770	1570	1520	1770	1570	1440	1770	1570	1520	1770	1570	1440
	2130	1555	4900	5375	5	5	1710	1520	1470	1710	1520	1390	1710	1520	1470	1710	1520	1390
	2280	1705	5200*	5775	5	5	1650	1470	1410	1650	1470	1340	1650	1470	1410	1650	1470	1340
	2380	1805	5500*	6075	5	5	1590	1410	1350	1550	1410	1290	1440	1410	1350	1370	1370	1280

## ERP20VT MWB/LWB mast details and capacity ratings (kg) - Superelastic tyres

Model						ERP20VT MWB						ERP20VT LWB						
Tyre size, front						200 / 50-10						200 / 50-10						
Overall width, front						1116mm						1116mm						
Mast	h1 (mm)	h2+s (mm)	h3+s (mm)	h4 (mm)	Tilt		Forks			Integral sideshift			Forks			Integral sideshift		
					F	B	500	600	700	500	600	700	500	600	700	500	600	700
							Load centre kg)			Load centre kg)			Load centre kg)			Load centre kg)		
2 Stage LFL Hi-Vis	2180	140	3432	4006	5	5	2000	1800	1700	1990	1780	1620	2000	1800	1700	1990	1780	1610
	2530	140	3932	4506	5	5	2000	1800	1690	1980	1780	1610	2000	1800	1690	1980	1770	1610
	2780	140	4432	5006	5	5	1980	1780	1680	1950	1760	1590	1980	1780	1670	1950	1760	1590
	3130	140	4932	5506	5	5	1570	1570	1570	1520	1520	1510	1560	1560	1560	1520	1520	1500
2 Stage FFL Hi-Vis	2080	1505	3218	3728	5	5	2000	1800	1710	2000	1790	1620	2000	1800	1700	2000	1790	1620
	2330	1755	3718	4228	5	5	2000	1800	1700	1990	1790	1620	2000	1800	1700	1990	1780	1610
	2680	2105	4338	4847	5	5	2000	1800	1690	1960	1780	1610	2000	1800	1690	1980	1770	1610
	1930	1355	4300	4875	5	5	2000	1800	1690	1970	1780	1610	2000	1800	1690	1980	1770	1610
3 Stage FFL Hi-Vis	2030	1455	4600	5175	5	5	1970	1770	1670	1930	1750	1580	1970	1770	1660	1950	1740	1580
	2130	1555	4900	5375	5	5	1780	1720	1620	1720	1700	1540	1910	1710	1610	1880	1690	1530
	2280	1705	5200*	5775	5	5	1490	1490	1490	1440	1440	1440	1670	1660	1550	1600	1590	1470
	2380	1805	5500*	6075	5	5	1250	1250	1250	1200	1200	1200	1420	1420	1410	1360	1360	1350

Note that the capacities are given in kilograms.

All ratings with DIN Battery.

All ratings with 1000mm forks and less load backrest.

\* Tilt speed reduced to 1° per second by mechanical tilt speed restrictors for mast heights 5000mm and above.

# VT series

Models: 15VT SWB, 16VT SWB, 16VT MWB, 16VT LWB, VT MWB, 18VTLWB, 20VT MWB, 20VTLWB

## AC Technology

Yale AC technology Class H traction motors are suitable for the most arduous applications. Smooth forward and reverse directional changes providing seamless driving action. In the high-performance or 'HiP' setting, AC technology provides increased speed and acceleration, even when fully laden, and increased speed on grade. As well as improving performance, AC technology reduces maintenance and allows service intervals of 1000 hours for most components.

## Brakes

The truck is equipped with automatic park brake and E-braking system, which uses the regenerative braking principle. The brake pedal position is monitored by a sensor whose voltage output determines the amount of braking torque provided by the motors. It is self-calibrating and requires no maintenance. Automatic YaleStop park brake: spring applied, electro magnetically released park brakes are mounted at the end of both motors. The park brake is automatically set by the control system, so that the brake is always set whenever the truck is not moving, and no traction has been requested. Moreover the park brake provides controllability on ramp applications.

## Steering

E-steering eliminates the hydraulic steering lines from the steer column which is infinitely adjustable in a range of 26°. The E-steering also incorporates the synchronous steering function so the steer knob always returns to the home position which can be selected via the dash display. During cornering the speed of the drive motors is continuously adjusted independently by the traction controller ensuring smooth operation. Twin steer tyres provide long tyre life, low power consumption and increased stability.

## 'eLo' and 'HiP' Settings

Yale VT trucks feature an 'eLo' energy saving setting (accessible via the overhead display with service password), which provides exceptional energy efficient performance for when you require continuous operation over longer periods without recharging the battery. You can choose the 'HiP' high performance setting for higher top speeds and acceleration for the most demanding applications.

## Performance modes

Performance of the truck can be tailored via the enhanced overhead display, with 4 performance modes available to suit the requirements of the application or the preferences of the driver.

For maximum speed and acceleration, choose mode 4, or for more delicate manoeuvring and extended battery life, mode 1 is ideal.

Your service technician can alter the top speed and acceleration of mode 4, with modes 1, 2 and 3 being automatically adjusted as percentages of setting 4.

## Improved ergonomics

The VT is designed for optimum operator comfort.

The operator is seated in an ergonomically designed position for maximum safety, comfort, visibility and ease of operation. The truck features a very low step height, generous floor and storage space, standard grab handle for ease of entry and standard reverse grab handle. The full suspension seat has 80mm of adjustment. A swivel seat option for a superior reverse driving position is available. Both the mini-lever module and the manual levers have an integrated direction switch. Clear footwell allows easy access from both sides.

## Masts

A full range of Yale Hi-Vis 2 stage LFL and 2 and 3 stage FFL masts are available. Yale Hi-Vis masts are designed for maximum visibility, with widely spaced channels, lift chains and main lift cylinders. The Yale Clear View Mast with class-leading visibility is offered on the 1.5T and 1.6T capacities.

## Battery

### Choice of 2 battery sizes:

DIN and BS.

### Choice of 3 wheelbases:

Depending on the capacity, there is a choice of Short Wheelbase (SWB), Medium Wheelbase (MWB), and Long Wheelbase (LWB). The LWB versions provide extra battery space and longer shift life. SWB versions offer improved maneuverability and reduced stacking aisle dimensions. Battery discharge indicator and lift interrupt are standard on all trucks.

## Battery Exchange

There are several different methods available to exchange the battery (should this be necessary), using either a crane,

a 2nd fork lift tuck or the Yale purpose designed pallet truck. Battery exchange can be accomplished in under 3 minutes keeping truck downtime to a minimum.

## Low lifetime costs

Lower maintenance costs as a result of less maintenance by oil immersed brakes, electric park brake, E-steering, CAN bus and AC technology.

Transmission is sealed for life, eliminating the need for service.

LED light packages are offered as an option.

1000 hours service interval for most components.

Auto Regen Braking optimises the shift life of the battery and contributes to an increase in the life of parts.

## Options

- AccuTouch mini-levers
- Foot directional control
- Lighting kits, including LED lights
- Reverse alarm
- Integrated sideshift
- DIN and BS battery
- Side battery extraction.

# VT series

Models:

15VT SWB

16VT SWB, 16VT MWB, 16VT LWB

18VT MWB, 18VTLWB

20VT MWB, 20VTLWB



## HYSTER-YALE UK LIMITED

trading as **Yale Europe Materials Handling**  
Centennial House, Frimley Business Park,  
Frimley, Surrey GU16 7SG, United Kingdom.

Tel: +44 (0) 1276 538500



Fax: +44 (0) 1276 538559

[www.yale-forklifts.eu](http://www.yale-forklifts.eu)



Publication part no. 220990025 Rev.08 Printed in The Netherlands (0419HG) EN.

**Safety:** This truck conforms to the current EU requirements. Specification is subject to change without notice.

Yale, VERACITOR and  are registered trademarks. "PEOPLE, PRODUCTS, PRODUCTIVITY", PREMIER, Hi-Vis, and CSS are trademarks in the United States and certain other jurisdictions. MATERIALS HANDLING CENTRAL and MATERIAL HANDLING CENTRAL are Service Marks in the United States and certain other jurisdictions.  is a Registered Copyright.

©Yale Europe Materials Handling 2019. All rights reserved. Truck shown with optional equipment.  
Country of Registration: England and Wales. Company Registration Number: 02636775