

# VX series

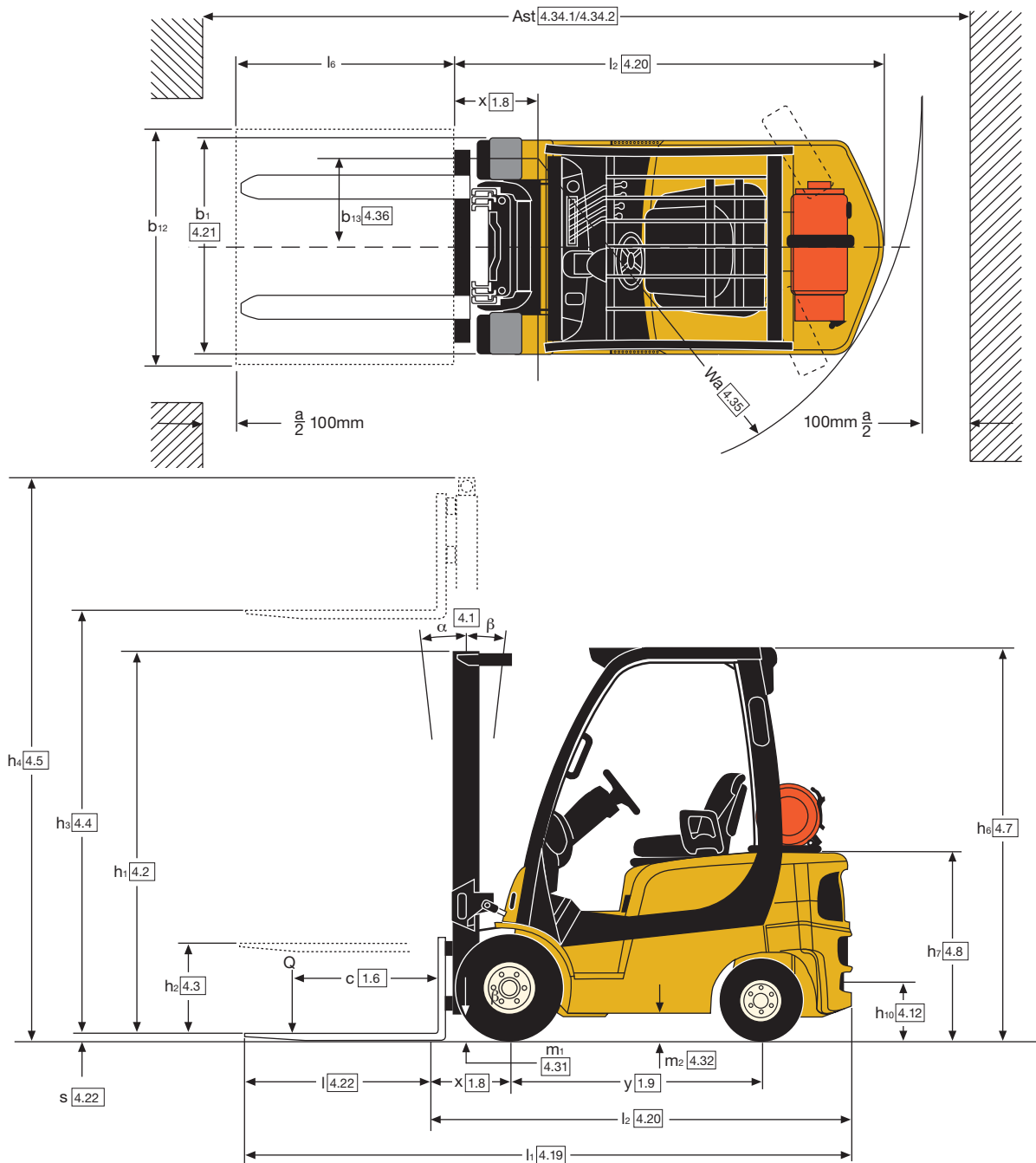
1,600kg / 1,800kg / 2,000kg

## Diesel and LP Gas Forklift Trucks



- Intellix™ Vehicle Management System with CAN bus technology
- 2 application matched transmissions, including the World's best hydrodynamic transmission - the Yale Techtronix
- ADS - Auto Deceleration System and Anti Roll Back on Techtronix 100 transmission
- AccuTouch minilevers and manual levers
- Superelastic and pneumatic radial tyres

## Truck Dimensions



## Engine Specifications

### Yanmar TNE series - Diesel

#### Base, Value

4 Cylinder	Overhead camshaft
Displacement	2659cc
Power	29.1kW @ 2,400rpm
Torque	146Nm @ 2,400rpm
Air Filtration	2 stage, dry type
IDI fuel injection system	

### PSI, LPG

#### Base, Value

4 Cylinder	Overhead camshaft
Displacement	1997cc
Power	33.0kW @ 2,400rpm
Torque	136Nm @ 2,300rpm
Air Filtration	2 stage, dry type

## Options

- Powertrain protection system
- Premium monitoring package
- High air intake with pre-cleaner
- Accumulator
- Keyless start (with auxiliary key switch)
- Traction speed limiter
- Heavy-duty "Combi Cooler" radiator
- Swing-out, drop-down EZ-Tank bracket
- Return-to-set tilt
- Swivel full suspension seat
- Foot directional control
- Full or partial cabins
- Operator password
- Alarm-reverse
- Amber strobe light - continuous activated
- Impact monitor
- Load weight indicator

## Masts

A full range of Yale 2-stage LFL and 2-stage and 3-stage FFL masts are available.

Yale masts are designed for maximum visibility, with widely spaced channels, lift chains and main lift cylinders.

### GDP/GLP 16VX, GDP/GLP 18VX Mast details and capacity ratings (kg) - Superelastic tyres

Model		GLP/GDP 16 VX											GLP/GDP 18 VX					
Tyre size, front		6.50 x 10											6.50 x 10					
Overall width, front		1072mm											1072mm					
Mast	h <sub>1</sub> (mm)	h <sub>2+s</sub> (mm)	h <sub>3+s</sub> (mm)	h <sub>4</sub> (mm)	Tilt		Forks			ISS & FP			Forks			ISS & FP		
							Load centre (kg)			Load centre (kg)			Load centre (kg)			Load centre (kg)		
					F	B	500	600	700	500	600	700	500	600	700	500	600	700
2 Stage LFL	2175	140	3330	3906	6	5	1600	1560	1420	1600	1480	1350	1800	1670	1510	1750	1580	1440
	2425	140	3830	4406	6	5	1600	1550	1410	1600	1470	1340	1800	1660	1510	1740	1570	1430
	2775	140	4330	4906	6	5	1600	1550	1400	1600	1460	1330	1740	1600	1450	1680	1520	1380
2 Stage FFL	2125	1551	3215	3792	6	5	1600	1550	1410	1600	1470	1340	1800	1680	1520	1760	1590	1450
3 Stage FFL	2025	1456	4450	5019	6	3	1570	1500	1360	1570	1410	1290	1740	1600	1450	1680	1510	1380
	2175	1606	4900	5469	6	3	1490	1410	1280	1480	1330	1220	1650	1510	1370	1590	1430	1300
	2425	1856	5500	6069	6	3	1370**	1290**	1170**	1310	1220	1110	1490**	1380**	1250**	1440**	1310**	1190**

\*\* With intermediate width tread drive tyres (1108 mm width)- must be specified. h<sub>2</sub> & h<sub>4</sub> are less loadbackrest.

### GDP/GLP 20SVX Mast details and capacity ratings (kg) - Superelastic tyres

Model		GLP/GDP 16 SVX										
Tyre size, front		6.50 x 10										
Overall width, front		1072mm										
Mast	h <sub>1</sub> (mm)	h <sub>2+s</sub> (mm)	h <sub>3+s</sub> (mm)	h <sub>4</sub> (mm)	Tilt		Forks			ISS & FP		
							Load centre (kg)			Load centre (kg)		
					F	B	500	600	700	500	600	700
2 Stage LFL	2175	140	3330	3906	6	5	2000	1880	1700	1970	1780	1620
	2425	140	3830	4406	6	5	2000	1870	1700	1960	1770	1610
	2775	140	4330	4906	6	5	1940	1810	1640	1900	1720	1560
2 Stage FFL	2125	1551	3215	3792	6	5	2000	1870	1700	1970	1780	1620
3 Stage FFL	2025	1456	4450	5019	6	3	1910	1790	1630	1880	1700	1550
	2175	1606	4900	5469	6	3	1820	1700	1540	1790	1610	1470
	2425	1856	5500	6069	6	3	1560**	1560**	1420**	1560**	1480**	1350**

\*\* With intermediate width tread drive tyres (1108 mm width)- must be specified. h<sub>2</sub> & h<sub>4</sub> are less loadbackrest.

### GDP/GLP 16VX, GDP/GLP 18VX Mast details and capacity ratings (kg) - Radial tyres

Model		GLP/GDP 16 VX											GLP/GDP 18 VX					
Tyre size, front		6.50 x R10											6.50 x R10					
Overall width, front		1072mm											1072mm					
Mast	h <sub>1</sub> (mm)	h <sub>2+s</sub> (mm)	h <sub>3+s</sub> (mm)	h <sub>4</sub> (mm)	Tilt		Forks			ISS & FP			Forks			ISS & FP		
							Load centre (kg)			Load centre (kg)			Load centre (kg)			Load centre (kg)		
					F	B	500	600	700	500	600	700	500	600	700	500	600	700
2 Stage LFL	2175	140	3330	3906	6	5	1600	1560	1420	1600	1480	1350	1800	1670	1510	1750	1580	1440
	2425	140	3830	4406	6	5	1600	1550	1410	1600	1470	1340	1800	1660	1510	1740	1570	1430
	2775	140	4330	4906	6	5	1600	1550	1400	1600	1460	1330	1740	1600	1450	1680	1520	1380
2 Stage FFL	2125	1551	3215	3792	6	5	1600	1550	1410	1600	1470	1340	1800	1680	1520	1760	1590	1450
3 Stage FFL	2025	1456	4450	5019	6	3	1570*	1500*	1360*	1570*	1410*	1290*	1740**	1600**	1450**	1660*	1510*	1380*
	2175	1606	4900	5469	6	3	1490**	1410**	1280**	1480**	1330**	1210**	1650**	1510**	1370**	1580**	1430**	1300**
	2425	1856	5500	6069	6	3	1290**	1280**	1160**	1280**	1210**	1100**	1310**	1310**	1250**	1290**	1290**	1190**

\* With intermediate width tread drive tyres (1108 mm width)- must be specified. \*\* with wide tread width tread drive tyres (1240 mm width)- must be specified. h<sub>2</sub> & h<sub>4</sub> are less loadbackrest.

### GDP/GLP 20SVXS Mast details and capacity ratings (kg) - Superelastic tyres

Model		GLP/GDP 20 SVX										
Tyre size, front		6.50 x 10										
Overall width, front		1072mm										
Mast	h <sub>1</sub> (mm)	h <sub>2+s</sub> (mm)	h <sub>3+s</sub> (mm)	h <sub>4</sub> (mm)	Tilt		Forks			ISS & FP		
							Load centre (kg)			Load centre (kg)		
					F	B	500	600	700	500	600	700
2 Stage LFL	2175	140	3330	3906	6	5	2000	1880	1700	1970	1780	1620
	2425	140	3830	4406	6	5	2000	1870	1700	1960	1770	1610
	2775	140	4330	4906	6	5	1940*	1810*	1640*	1900*	1710*	1560*
2 Stage FFL	2125	1551	3215	3792	6	5	2000	1870	1700	1970	1780	1620
3 Stage FFL	2025	1456	4450	5019	6	3	1690*	1670*	1630*	1670*	1660*	1550*
	2175	1606	4900	5469	6	3	1370*	1370*	1370*	1350*	1350*	1340*
	2425	1856	5500	6069	6	3	1040*	1040*	1040*	1010*	1010*	1010*

\* With intermediate width tread drive tyres (1108 mm width)- must be specified. \*\* with wide tread width tread drive tyres (1240 mm width)- must be specified. h<sub>2</sub> & h<sub>4</sub> are less loadbackrest.

# VDI 2198 - General Specifications, Diesel powered GDP 16VX, GDP 18VX, GDP 20SVX

			Yale	Yale	Yale	
<b>Distinguishing mark</b>	1.1	Manufacturer (abbreviation)				
	1.2	Manufacturer's type designation		<b>GDP 16VX</b>		
		Engine / transmission		Yanmar 2.6L Standard Electronic, 1-Speed	Yanmar 2.6L Techtronix 100, 1-Speed	Yanmar 2.6L Standard Electronic, 1-Speed
		Model		Base	Base	Base
		Brake Type		Drum brakes	ADS Drum brakes	Drum brakes
	1.3	Drive: electric (battery or mains), diesel, petrol, LPG		Diesel	Diesel	Diesel
	1.4	Operator type: hand, pedestrian, standing, seated, order-picker		Seated	Seated	Seated
	1.5	Rated capacity/rated load	Q (t)	1.6	1.6	1.8
	1.6	Load centre distance	c (mm)	500	500	500
1.8	Load distance, centre of drive axle to fork	x (mm)	384	384	384	
1.9	Wheelbase	y (mm)	1385	1385	1385	
<b>Weights</b>	2.1	Service weight	kg	3059	3059	3134
	2.2	Axle loading laden, front/rear	kg	3856 / 565	3856 / 565	4190 / 509
	2.3	Axle loading unladen, front/rear	kg	1521 / 1538	1521 / 1538	1506 / 1628
<b>Tyres/chassis</b>	3.1	Tyres: P=pneumatic, V=cushion, SE=superelastic		SE	SE	SE
	3.2	Tyre size, front		6.50 x 10-10	6.50 x 10-10	6.50 x 10 -10
	3.3	Tyre size, rear		5.00 x 8	5.00 x 8	5.00 x 8
	3.5	Wheels, number front/rear (x = driven wheels)		2x /2	2x /2	2x /2
	3.6	Tread, front	b <sub>10</sub> (mm)	890	890	890
	3.7	Tread, rear	b <sub>11</sub> (mm)	895	895	895
	<b>Dimensions</b>	4.1	Tilt of mast / fork carriage forward / backward	$\alpha / \beta$ (°)	6 / 5	6 / 5
4.2		Height, mast lowered	h <sub>1</sub> (mm)	2175	2175	2175
4.3		Free lift ▲	h <sub>2</sub> (mm)	100	100	100
4.4		Lift ▲	h <sub>3</sub> (mm)	3290	3290	3290
4.5		Height, mast extended +	h <sub>4</sub> (mm)	3905	3905	3905
4.7		Height of overhead guard (cabin) ○	h <sub>6</sub> (mm)	2149	2149	2149
4.8		Seat height relating to SIP/stand height ✕	h <sub>7</sub> (mm)	1043	1043	1043
4.12		Coupling height	h <sub>110</sub> (mm)	321	321	321
4.19		Overall length	l <sub>1</sub> (mm)	3236	3236	3236
4.20		Length to face of forks	l <sub>2</sub> (mm)	2236	2236	2236
4.21		Overall width ■	b <sub>1</sub> (mm)	1068 / 1108 / 1238	1068 / 1108 / 1238	1068 / 1108 / 1238
4.22		Fork dimensions DIN ISO 2331	s/e/l (mm)	40 x 80 x 1000	40 x 80 x 1000	40 x 80 x 1000
4.23		Fork carriage ISO 2328, class/type A, B		IIA	IIA	IIA
4.24		Fork carriage width ►	b <sub>3</sub> (mm)	977	977	977
4.31		Ground clearance, laden, below mast	m <sub>1</sub> (mm)	110	110	110
4.32		Ground clearance, centre of wheelbase	m <sub>2</sub> (mm)	146	146	146
4.33		Load dimension b <sub>12</sub> x l <sub>6</sub> crossways	b <sub>12</sub> x l <sub>6</sub> (mm)	1000 x 1200	1000 x 1200	1000 x 1200
4.34		Aisle width predetermined load dimensions	A <sub>st</sub> (mm)	3539	3539	3539
4.34.1		Aisle width for pallets 1000 x 1200 crossways	A <sub>st</sub> (mm)	3539	3539	3539
4.34.2		Aisle width for pallets 800 x 1200 lengthways	A <sub>st</sub> (mm)	3739	3739	3739
4.35	Turning radius	W <sub>a</sub> (mm)	1955	1955	1955	
4.36	Internal turning radius	b <sub>13</sub> (mm)	584	584	584	
4.41	90° intersecting aisle (with pallet W = 1200mm, L = 1000mm)	(mm)	1830	1830	1830	
4.42	Step height (from ground to running board)	(mm)	691	691	691	
4.43	Step height (between intermediate steps between running board and floor)	(mm)	371	371	371	
<b>Performance data</b>	5.1	Travel speed, laden/unladen	km/h	20.4 / 20.9	20.4 / 20.9	20.4 / 20.9
	5.2	Lift speed, laden/unladen	km/s	0.64 / 0.72	0.64 / 0.72	0.63 / 0.72
	5.3	Lowering speed, laden/unladen	m/s	0.51 / 0.47	0.51 / 0.47	0.51 / 0.47
	5.5	Drawbar pull, laden/unladen *	N	12390 / 7470	12390 / 7470	12260 / 7200
	5.7	Gradeability, laden/unladen **	%	21.6 / 29.0	21.6 / 29.0	20.0 / 26.3
	5.9	Acceleration time, laden/unladen	s	TBD	TBD	TBD
	5.10	Service brake		Hydraulic	Hydraulic	Hydraulic
<b>Combustion-engine</b>	7.1	Engine manufacturer / type		Yanmar 4TNE92	Yanmar 4TNE92	Yanmar 4TNE92
	7.2	Engine power according to ISO 1585	kW	29.1	29.1	29.1
	7.3	Rated speed	min-1	2400	2400	2400
	7.4	Number of cylinders/displacement	(-)/cm <sup>3</sup>	4 / 2659	4 / 2659	4 / 2659
	7.5	Fuel consumption according to VDI cycle	l/h or kg/h	2.86	2.86	2.96
<b>Addition data</b>	8.1	Type of drive unit		Hydrodynamic	Hydrodynamic	Hydrodynamic
	10.1	Operating pressure for attachments	bar	0 - 155	0 - 155	0 - 155
	10.2	Oil volume for attachments ❖	l/min	69	69	69
	10.3	Hydraulic oil tank, capacity	litres	31.7	31.7	31.7
	10.4	Fuel tank, capacity	litres	38.4	38.4	38.4
	10.7	Sound pressure level at the driver's seat ★	dB(A)	79	79	79
	10.7.1	Sound power level during the workcycle ◆	dB(A)	99	99	99
	10.7.2	Guaranteed sound power 2000/14/EC	dB(A)	102	102	102
	10.8	Towing coupling type		Pin	Pin	Pin

▲ Top of forks.      ■ Standard / Intermediate / Wide.      \*\* @ 4.8km/h. Gradeability figures are provided for comparison of tractive performance, but are not intended to endorse the operation of the vehicle on the stated inclines. Follow instructions in the operating manual regarding operation on inclines.

+ Without load backrest.      ❖ Variable.      ★ LPAZ, Measured according to the test cycles and based on the weighting values contained in EN12053.

○ h6 subject to +/- 5 mm tolerance.      □ Wide tread not available on GLP20SVX.      \* @ 1.6km/h. Drawbar pull performance figure is only indicative for comparison purpose. These performances are only possible for a short period of time.

✕ Full suspension seat in depressed position.      ◆

► Add 32mm with load backrest.

Yale	Yale	Yale		Manufacturer (abbreviation)	1.1	
<b>GDP 18VX</b>	<b>GDP 20SVX</b>			Manufacturer's type designation	1.2	
Yanmar 2.6L Techtronix 100, 1-Speed	Yanmar 2.6L Standard Electronic, 1-Speed	Yanmar 2.6L Techtronix 100, 1-Speed		Engine / transmission		Distinguishing mark
Base	Base	Base		Model		
ADS Drum brakes	Drum brakes	ADS Drum brakes		Brake Type		
Diesel	Diesel	Diesel		Drive: electric (battery or mains), diesel, petrol, LPG	1.3	
Seated	Seated	Seated		Operator type: hand, pedestrian, standing, seated, order-picker	1.4	
1.8	2.0	2.0	Q (t)	Rated capacity/rated load	1.5	
500	500	500	c (mm)	Load centre distance	1.6	
384	384	384	x (mm)	Load distance, centre of drive axle to fork	1.8	
1385	1385	1385	y (mm)	Wheelbase	1.9	
3134	3294	3294	kg	Service weight	2.1	Weights
4190 / 509	4460 / 580	4460 / 580	kg	Axle loading laden, front/rear	2.2	
1506 / 1628	1465 / 1829	1465 / 1829	kg	Axle loading unladen, front/rear	2.3	
SE	SE	SE		Tyres: P=pneumatic, V=cushion, SE=superelastic	3.1	Tyres/chassis
6.50 x 10 -10	6.50 x 10 -10	6.50 x 10 -10		Tyre size, front	3.2	
5.00 x 8	18 x 7-8	18 x 7-8		Tyre size, rear	3.3	
2x /2	2x /2	2x /2		Wheels, number front/rear (x = driven wheels)	3.5	
890	890	890	b <sub>10</sub> (mm)	Tread, front	3.6	
895	895	895	b <sub>11</sub> (mm)	Tread, rear	3.7	
6 / 5	6 / 5	6 / 5	$\alpha / \beta$ (°)	Tilt of mast / fork carriage forward / backward	4.1	
2175	2175	2175	h <sub>1</sub> (mm)	Height, mast lowered	4.2	
100	100	100	h <sub>2</sub> (mm)	Free lift ▲	4.3	
3290	3290	3290	h <sub>3</sub> (mm)	Lift ▲	4.4	
3905	3905	3905	h <sub>4</sub> (mm)	Height, mast extended ✚	4.5	
2149	2149	2149	h <sub>6</sub> (mm)	Height of overhead guard (cabin) ○	4.7	
1043	1043	1043	h <sub>7</sub> (mm)	Seat height relating to SIP/stand height ✕	4.8	
321	321	321	h <sub>110</sub> (mm)	Coupling height	4.12	
3236	3268	3268	l <sub>1</sub> (mm)	Overall length	4.19	
2236	2268	2268	l <sub>2</sub> (mm)	Length to face of forks	4.20	
1068 / 1108 / 1238	1068 / 1108 / □	1068 / 1108 / □	b <sub>1</sub> (mm)	Overall width ■	4.21	
40 x 80 x 1000	40 x 100 x 1000	40 x 100 x 1000	s/e/l (mm)	Fork dimensions DIN ISO 2331	4.22	
IIA	IIA	IIA		Fork carriage ISO 2328, class/type A, B	4.23	
977	977	977	b <sub>3</sub> (mm)	Fork carriage width ▸	4.24	
110	110	110	m <sub>1</sub> (mm)	Ground clearance, laden, below mast	4.31	
146	146	146	m <sub>2</sub> (mm)	Ground clearance, centre of wheelbase	4.32	
1000 x 1200	1000 x 1200	1000 x 1200	b <sub>12</sub> x l <sub>6</sub> (mm)	Load dimension b <sub>12</sub> x l <sub>6</sub> crossways	4.33	
3539	3569	3569	A <sub>st</sub> (mm)	Aisle width predetermined load dimensions	4.34	
3539	3569	3569	A <sub>st</sub> (mm)	Aisle width for pallets 1000 x 1200 crossways	4.34.1	
3739	3769	3769	A <sub>st</sub> (mm)	Aisle width for pallets 800 x 1200 lengthways	4.34.2	
1955	1985	1985	W <sub>a</sub> (mm)	Turning radius	4.35	
584	584	584	b <sub>13</sub> (mm)	Internal turning radius	4.36	
1830	1855	1855	(mm)	90° intersecting aisle (with pallet W = 1200mm, L = 1000mm)	4.41	
691	691	691	(mm)	Step height (from ground to running board)	4.42	
371	371	371	(mm)	Step height (between intermediate steps between running board and floor)	4.43	
20.4 / 20.9	20.4 / 20.9	20.4 / 20.9	km/h	Travel speed, laden/unladen	5.1	
0.63 / 0.72	0.62 / 0.72	0.62 / 0.72	km/s	Lift speed, laden/unladen	5.2	
0.51 / 0.47	0.51 / 0.47	0.51 / 0.47	m/s	Lowering speed, laden/unladen	5.3	
12260 / 7200	12140 / 6930	12140 / 6930	N	Drawbar pull, laden/unladen *	5.5	
20.0 / 26.3	17.9 / 23.6	17.9 / 23.6	%	Gradeability, laden/unladen **	5.7	
TBD	TBD	TBD	s	Acceleration time, laden/unladen	5.9	
Hydraulic	Hydraulic	Hydraulic		Service brake	5.10	
Yanmar 4TNE92	Yanmar 4TNE92	Yanmar 4TNE92		Engine manufacturer / type	7.1	Combustion-engine
29.1	29.1	29.1	kW	Engine power according to ISO 1585	7.2	
2400	2400	2400	min-1	Rated speed	7.3	
4 / 2659	4 / 2659	4 / 2659	(-)/cm <sup>3</sup>	Number of cylinders/displacement	7.4	
2.96	3.11	3.11	l/h or kg/h	Fuel consumption according to VDI cycle	7.5	
Hydrodynamic	Hydrodynamic	Hydrodynamic		Type of drive unit	8.1	Addition data
0 - 155	0 - 155	0 - 155	bar	Operating pressure for attachments	10.1	
69	69	69	l/min	Oil volume for attachments ✦	10.2	
31.7	31.7	31.7	litres	Hydraulic oil tank, capacity	10.3	
38.4	38.4	38.4	litres	Fuel tank, capacity	10.4	
79	79	79	dB(A)	Sound pressure level at the driver's seat ★	10.7	
99	99	99	dB(A)	Sound power level during the workcycle ✦	10.7.1	
102	102	102	dB(A)	Guaranteed sound power 2000/14/EC	10.7.2	
Pin	Pin	Pin		Towing coupling type	10.8	

◆ LWAZ, measured according to the test cycles and based on the weighting values contained in EN12053.

**Specification truck based on:**  
3330mm top of forks 2 stage LFL mast with standard carriage, 1000mm forks and e-hydraulics.

**All values are nominal values and they are subject to tolerances. For further information, please contact the manufacturer. Yale products might be subject to change without notice.**

**Lift trucks illustrated may feature optional equipment. Values may vary with alternative configurations.**

## VDI 2198 - General Specifications, LPG powered GLP 16VX, GLP 18VX, GLP 20SVX

<b>Distinguishing mark</b>	1.1	Manufacturer (abbreviation)		Yale	Yale	Yale
	1.2	Manufacturer's type designation			<b>GLP 16VX</b>	
		Engine / transmission		PSI 2.0L Standard Electronic, 1-Speed	PSI 2.0L Techtronix 100, 1-Speed	PSI 2.0L Standard Electronic, 1-Speed
		Model		Base	Value	Base
		Brake Type		Drum brakes	ADS Drum brakes	Drum brakes
	1.3	Drive: electric (battery or mains), diesel, petrol, LPG		LPG	LPG	LPG
	1.4	Operator type: hand, pedestrian, standing, seated, order-picker		Seated	Seated	Seated
	1.5	Rated capacity/rated load	Q (t)	1.6	1.6	1.8
	1.6	Load centre distance	c (mm)	500	500	500
1.8	Load distance, centre of drive axle to fork	x (mm)	384	384	384	
1.9	Wheelbase	y (mm)	1385	1385	1385	
<b>Weights</b>	2.1	Service weight	kg	3059	3059	3134
	2.2	Axle loading laden, front/rear	kg	3856 / 565	3856 / 565	4190 / 509
	2.3	Axle loading unladen, front/rear	kg	1521 / 1538	1521 / 1538	1506 / 1628
<b>Tyres/chassis</b>	3.1	Tyres: P=pneumatic, V=cushion, SE=superelastic		SE	SE	SE
	3.2	Tyre size, front		6.50 x 10-10	6.50 x 10-10	6.50 x 10 -10
	3.3	Tyre size, rear		5.00 x 8	5.00 x 8	5.00 x 8
	3.5	Wheels, number front/rear (x = driven wheels)		2x /2	2x /2	2x /2
	3.6	Tread, front	b <sub>10</sub> (mm)	890	890	890
	3.7	Tread, rear	b <sub>11</sub> (mm)	895	895	895
	<b>Dimensions</b>	4.1	Tilt of mast / fork carriage forward / backward	$\alpha / \beta$ (°)	6 / 5	6 / 5
4.2		Height, mast lowered	h <sub>1</sub> (mm)	2175	2175	2175
4.3		Free lift ▲	h <sub>2</sub> (mm)	100	100	100
4.4		Lift ▲	h <sub>3</sub> (mm)	3290	3290	3290
4.5		Height, mast extended +	h <sub>4</sub> (mm)	3906	3906	3906
4.7		Height of overhead guard (cabin) ○	h <sub>6</sub> (mm)	2149	2149	2149
4.8		Seat height relating to SIP/stand height ✕	h <sub>7</sub> (mm)	1043	1043	1043
4.12		Coupling height	h <sub>110</sub> (mm)	321	321	321
4.19		Overall length	l <sub>1</sub> (mm)	3236	3236	3236
4.20		Length to face of forks	l <sub>2</sub> (mm)	2236	2236	2236
4.21		Overall width ■	b <sub>1</sub> (mm)	1068 / 1108 / 1238	1068 / 1108 / 1238	1068 / 1108 / 1238
4.22		Fork dimensions DIN ISO 2331	s/e/l (mm)	40 x 80 x 1000	40 x 80 x 1000	40 x 80 x 1000
4.23		Fork carriage ISO 2328, class/type A, B		IIA	IIA	IIA
4.24		Fork carriage width ►	b <sub>3</sub> (mm)	977	977	977
4.31		Ground clearance, laden, below mast	m <sub>1</sub> (mm)	110	110	110
4.32		Ground clearance, centre of wheelbase	m <sub>2</sub> (mm)	146	146	146
4.33		Load dimension b <sub>12</sub> x l <sub>6</sub> crossways	b <sub>12</sub> x l <sub>6</sub> (mm)	1000 x 1200	1000 x 1200	1000 x 1200
4.34		Aisle width predetermined load dimensions	A <sub>st</sub> (mm)	3539	3539	3539
4.34.1		Aisle width for pallets 1000 x 1200 crossways	A <sub>st</sub> (mm)	3539	3539	3539
4.34.2		Aisle width for pallets 800 x 1200 lengthways	A <sub>st</sub> (mm)	3739	3739	3739
4.35	Turning radius	W <sub>a</sub> (mm)	1955	1955	1955	
4.36	Internal turning radius	b <sub>13</sub> (mm)	584	584	584	
4.41	90° intersecting aisle (with pallet W = 1200mm, L = 1000mm)	(mm)	1830	1830	1830	
4.42	Step height (from ground to running board)	(mm)	691	691	691	
4.43	Step height (between intermediate steps between running board and floor)	(mm)	371	371	371	
<b>Performance data</b>	5.1	Travel speed, laden/unladen	km/h	21.1 / 21.5	21.1 / 21.5	21.1 / 21.5
	5.2	Lift speed, laden/unladen	km/s	0.58 / 0.60	0.58 / 0.60	0.58 / 0.60
	5.3	Lowering speed, laden/unladen	m/s	0.51 / 0.47	0.51 / 0.47	0.51 / 0.47
	5.5	Drawbar pull, laden/unladen *	N	13226 / 7470	13226 / 7470	13188 / 7200
	5.7	Gradeability, laden/unladen **	%	19.2 / 29.0	19.2 / 29.0	18.0 / 26.3
	5.9	Acceleration time, laden/unladen	s	4.6 / 3.9	4.6 / 3.9	4.7 / 4.0
5.10	Service brake		Hydraulic	Hydraulic	Hydraulic	
<b>Combustion-engine</b>	7.1	Engine manufacturer / type		PSI 2.0L	PSI 2.0L	PSI 2.0L
	7.2	Engine power according to ISO 1585	kW	33.0	33.0	33.0
	7.3	Rated speed	min <sup>-1</sup>	2400	2400	2400
	7.4	Number of cylinders/displacement	(-)/cm <sup>3</sup>	4 / 1997	4 / 1997	4 / 1997
	7.5	Fuel consumption according to VDI cycle	l/h or kg/h	2.35	2.35	2.42
<b>Addition data</b>	8.1	Type of drive unit		Hydrodynamic	Hydrodynamic	Hydrodynamic
	10.1	Operating pressure for attachments	bar	0 - 155	0 - 155	0 - 155
	10.2	Oil volume for attachments ❖	l/min	56	56	56
	10.3	Hydraulic oil tank, capacity	litres	31.7	31.7	31.7
	10.4	Fuel tank, capacity	litres	15.2	15.2	15.2
	10.7	Sound pressure level at the driver's seat ★	dB(A)	77	77	77
	10.7.1	Sound power level during the workcycle ◆	dB(A)	96	96	96
	10.7.2	Guaranteed sound power 2000/14/EC	dB(A)	101	101	101
	10.8	Towing coupling type		Pin	Pin	Pin

▲ Top of forks.

+ Without load backrest.

○ h6 subject to +/- 5 mm tolerance.

✕ Full suspension seat in depressed position.

► Add 32mm with load backrest.

■ Standard / Intermediate / Wide.

□ Wide tread not available on GLP20SVX.

\* @ 1.6km/h. Drawbar pull performance figure is only indicative for comparison purpose. These performances are only possible for a short period of time.

\*\* @ 4.8km/h. Gradeability figures are provided for comparison of tractive performance, but are not intended to endorse the operation of the vehicle on the stated inclines. Follow instructions in the operating manual regarding operation on inclines.

❖ Variable.

★ LPAZ, Measured according to the test cycles and based on the weighting values contained in EN12053.

Yale	Yale	Yale		Manufacturer (abbreviation)	1.1	
GLP 18VX	GLP 20SVX			Manufacturer's type designation	1.2	
PSI 2.0L Techtronix 100, 1-Speed	PSI 2.0L Standard Electronic, 1-Speed	PSI 2.0L Techtronix 100, 1-Speed		Engine / transmission		Distinguishing mark
Value	Base	Value		Model		
ADS Drum brakes	Drum brakes	ADS Drum brakes		Brake Type		
LPG	LPG	LPG		Drive: electric (battery or mains), diesel, petrol, LPG	1.3	
Seated	Seated	Seated		Operator type: hand, pedestrian, standing, seated, order-picker	1.4	
1.8	2.0	2.0	Q (t)	Rated capacity/rated load	1.5	
500	500	500	c (mm)	Load centre distance	1.6	
384	384	384	x (mm)	Load distance, centre of drive axle to fork	1.8	
1385	1385	1385	y (mm)	Wheelbase	1.9	
3134	3294	3294	kg	Service weight	2.1	Weights
4190 / 509	4460 / 580	4460 / 580	kg	Axle loading laden, front/rear	2.2	
1506 / 1628	1465 / 1829	1465 / 1829	kg	Axle loading unladen, front/rear	2.3	
SE	SE	SE		Tyres: P=pneumatic, V=cushion, SE=superelastic	3.1	Tyres/chassis
6.50 x 10 -10	6.50 x 10 -10	6.50 x 10 -10		Tyre size, front	3.2	
5.00 x 8	18 x 7-8	18 x 7-8		Tyre size, rear	3.3	
2x /2	2x /2	2x /2		Wheels, number front/rear (x = driven wheels)	3.5	
890	890	890	b <sub>10</sub> (mm)	Tread, front	3.6	
895	895	895	b <sub>11</sub> (mm)	Tread, rear	3.7	
6 / 5	6 / 5	6 / 5	α / β (°)	Tilt of mast / fork carriage forward / backward	4.1	
2175	2175	2175	h <sub>1</sub> (mm)	Height, mast lowered	4.2	
100	100	100	h <sub>2</sub> (mm)	Free lift ▲	4.3	
3290	3290	3290	h <sub>3</sub> (mm)	Lift ▲	4.4	
3906	3906	3906	h <sub>4</sub> (mm)	Height, mast extended ▬	4.5	
2149	2149	2149	h <sub>6</sub> (mm)	Height of overhead guard (cabin) ○	4.7	
1043	1043	1043	h <sub>7</sub> (mm)	Seat height relating to SIP/stand height ✕	4.8	
321	321	321	h <sub>110</sub> (mm)	Coupling height	4.12	
3236	3268	3268	l <sub>1</sub> (mm)	Overall length	4.19	
2236	2268	2268	l <sub>2</sub> (mm)	Length to face of forks	4.20	
1068 / 1108 / 1238	1068 / 1108 / □	1068 / 1108 / □	b <sub>1</sub> (mm)	Overall width ■	4.21	
40 x 80 x 1000	40 x 100 x 1000	40 x 100 x 1000	s/e/l (mm)	Fork dimensions DIN ISO 2331	4.22	
IIA	IIA	IIA		Fork carriage ISO 2328, class/type A, B	4.23	
977	977	977	b <sub>3</sub> (mm)	Fork carriage width ▸	4.24	
110	110	110	m <sub>1</sub> (mm)	Ground clearance, laden, below mast	4.31	
146	146	146	m <sub>2</sub> (mm)	Ground clearance, centre of wheelbase	4.32	
1000 x 1200	1000 x 1200	1000 x 1200	b <sub>12</sub> x l <sub>6</sub> (mm)	Load dimension b <sub>12</sub> x l <sub>6</sub> crossways	4.33	
3539	3569	3569	A <sub>st</sub> (mm)	Aisle width predetermined load dimensions	4.34	
3539	3569	3569	A <sub>st</sub> (mm)	Aisle width for pallets 1000 x 1200 crossways	4.34.1	
3739	3769	3769	A <sub>st</sub> (mm)	Aisle width for pallets 800 x 1200 lengthways	4.34.2	
1955	1985	1985	W <sub>a</sub> (mm)	Turning radius	4.35	
584	584	584	b <sub>13</sub> (mm)	Internal turning radius	4.36	
1830	1855	1855	(mm)	90° intersecting aisle (with pallet W = 1200mm, L = 1000mm)	4.41	
691	691	691	(mm)	Step height (from ground to running board)	4.42	
371	371	371	(mm)	Step height (between intermediate steps between running board and floor)	4.43	
21.1 / 21.5	21.1 / 21.5	21.1 / 21.5	km/h	Travel speed, laden/unladen	5.1	
0.58 / 0.60	0.58 / 0.60	0.58 / 0.60	km/s	Lift speed, laden/unladen	5.2	
0.51 / 0.47	0.51 / 0.47	0.51 / 0.47	m/s	Lowering speed, laden/unladen	5.3	
13188 / 7200	13135 / 6930	13135 / 6930	N	Drawbar pull, laden/unladen *	5.5	
18.0 / 26.3	16.6 / 23.6	16.6 / 23.6	%	Gradeability, laden/unladen **	5.7	
4.7 / 4.0	4.8 / 4.1	4.8 / 4.1	s	Acceleration time, laden/unladen	5.9	
Hydraulic	Hydraulic	Hydraulic		Service brake	5.10	
PSI 2.0L	PSI 2.0L	PSI 2.0L		Engine manufacturer / type	7.1	Combustion-engine
33.0	33.0	33.0	kW	Engine power according to ISO 1585	7.2	
2400	2400	2400	min-1	Rated speed	7.3	
4 / 1997	4 / 1997	4 / 1997	(-)/cm <sup>3</sup>	Number of cylinders/displacement	7.4	
2.42	2.52	2.52	l/h or kg/h	Fuel consumption according to VDI cycle	7.5	
Hydrodynamic	Hydrodynamic	Hydrodynamic		Type of drive unit	8.1	Addition data
0 - 155	0 - 155	0 - 155	bar	Operating pressure for attachments	10.1	
56	56	56	l/min	Oil volume for attachments ✦	10.2	
31.7	31.7	31.7	litres	Hydraulic oil tank, capacity	10.3	
15.2	15.2	15.2	litres	Fuel tank, capacity	10.4	
77	77	77	dB(A)	Sound pressure level at the driver's seat ★	10.7	
96	96	96	dB(A)	Sound power level during the workcycle ◆	10.7.1	
101	101	101	dB(A)	Guaranteed sound power 2000/14/EC	10.7.2	
Pin	Pin	Pin		Towing coupling type	10.8	

◆ LWAZ, measured according to the test cycles and based on the weighting values contained in EN12053.

**Specification truck based on:**  
3330mm top of forks 2 stage LFL mast with standard carriage, 1000mm forks and e-hydraulics.

**All values are nominal values and they are subject to tolerances. For further information, please contact the manufacturer. Yale products might be subject to change without notice.**

**Lift trucks illustrated may feature optional equipment. Values may vary with alternative configurations.**

# VX series

Models: GDP/GLP 16VX, 18VX, 20SVX



## Yale Veracitor VX Series

This series of trucks is available in two configurations.

**The Base truck** offers first-rate performance for standard-duty applications, minimizing cost of acquisition without compromising performance.

**The Value truck** provides excellent performance for standard and medium-duty applications, optimised for lowest hourly cost of operation.

## Engines

Engines feature a rigid cast iron block and main bearing caps. Hydraulic valve lifters eliminate manual adjustment, all engines include hardened exhaust valve seats.

## Fuel System

The PSI LPG engine has an air valve carburettor and in conjunction with the electronic pressure regulator and engine ECU provides a precise air fuel ratio.

The Yanmar fuel system has an Electromechanical controlled throttle providing excellent response. Glow plugs allow the engine to start quickly and reliably, and the cold start device delivers a cleaner exhaust under cold conditions by advancing the fuel injection timing based on temperature.

Emissions have been reduced by controlling fuel injection timing according to engine load.

## Transmission

Two transmission are available with engine configurations for a wide variety of material handling applications.

**1) Standard Electronic** features electronic inching, electric shift control, neutral start switch, and anti-restart protection and heavy duty clutch packs. A single pedal controls both inching and braking.

**2) The Techtronix 100** has all the Standard Electronic features plus an Auto Deceleration System.

## Auto-Speed Hydraulics (AH)

With AH engine speed is automatically increased to provide full hydraulic power. The VSM maintains the current travel speed (or prevents travel) until the operator steps on the accelerator. No operator inching is required so productivity and efficiency is increased by simplifying operator actions.

## Cooling System

The cooling system employs a pusher-type fan, water pump and high capacity, crossflow radiator to ensure rapid heat dissipation. The sealed system has a recovery tank for visual inspection of coolant level and a transmission oil cooler is integrated into the radiator.

## Drive Axle

The drive axle is designed to withstand heavy-duty applications and absorb shock loads. The assembly is isolated from the transmission by a heavy duty rubber isolator. Axle shafts utilize a "rolled fillet" root spline for increased resistance to torsion stress.

## Brakes

Brakes are duo-servo hydraulic, self energizing automatic adjusting drum assemblies with asbestos-free linings bonded to steel shoes. The single circuit master cylinder has a sealed fluid reservoir with a level sensor which activates an indicator light located on the instrument panel.

## Hydraulic Power Steering

Hydrostatic steering provides responsive control and eliminates mechanical linkages for reduced surface shock and simplified maintenance. The steering wheel has a textured surface grip and spinner knob, requiring only four turns lock-to-lock. The centre mounted steer cylinder is located within the confines of the steer axle for protection.

## Steer Axle

The cast steel steer axle is rubber mounted to the frame for reduced wear and vibration.

The CSE (Continuous Stability Enhancement) system enhances lateral truck stability through reduced steer axle articulation, while allowing uncompromised uneven surface travel.

## Operator's Compartment

The Base truck features cowl mounted hydraulic control levers on the right side of the steering column.

Value trucks feature AccuTouch electrohydraulic controls integrated into the operator's right-side armrest for superior ergonomic actuation. Automotive-style pedal arrangement with a large single inch/brake pedal is standard.

## Intellix Vehicle System Management (VSM)

VSM acts as a master truck controller, providing extensive monitoring and control of truck functions and systems. CAN bus wiring reduces complexity and enables communication between truck systems. The dash display transmits continual feedback to the operator and allows communication of service codes.

On-board diagnostics enable quick and easy troubleshooting. The electrical system features sealed connectors with Hall Effect sensors for superior dependability.

## Hydraulic System

The system incorporates a gear type pump with cast iron body for quiet efficiency, protected from overloads by a main relief valve for the lift circuit and secondary relief valve for tilt and auxiliary functions. Oil is double filtered through a suction line strainer and return line filter. The hydraulic tank is integrated into the frame. For AccuTouch electrohydraulic controls, an emergency lowering valve allows the load to be lowered in the event of power loss.

## HYSTER-YALE UK LIMITED

trading as **Yale Europe Materials Handling**  
Centennial House, Frimley Business Park,  
Frimley, Surrey GU16 7SG, United Kingdom.

Tel: +44 (0) 1276 538500


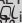
Fax: +44 (0) 1276 538559

[www.yale-forklifts.eu](http://www.yale-forklifts.eu)



Publication part no. 220990277 Rev.10 Printed in The Netherlands (0918HG) EN.

**Safety:** This truck conforms to the current EU requirements. Specification is subject to change without notice.

Yale, VERACITOR and  are registered trademarks. "PEOPLE, PRODUCTS, PRODUCTIVITY", PREMIER, Hi-Vis, and CSS are trademarks in the United States and certain other jurisdictions. MATERIALS HANDLING CENTRAL and MATERIAL HANDLING CENTRAL are Service Marks in the United States and certain other jurisdictions.  is a Registered Copyright.

©Yale Europe Materials Handling 2018. All rights reserved. Truck shown with optional equipment.  
Country of Registration: England and Wales. Company Registration Number: 02636775